

NOTE(S):
PART NUMBER, "/00" DENOTES PART SHALL HAVE FINISH.

1. EXAMPLE OF SPLIT FINISH CODE:
A. 3-373/026X030

2. SPLIT FINISH CODES:

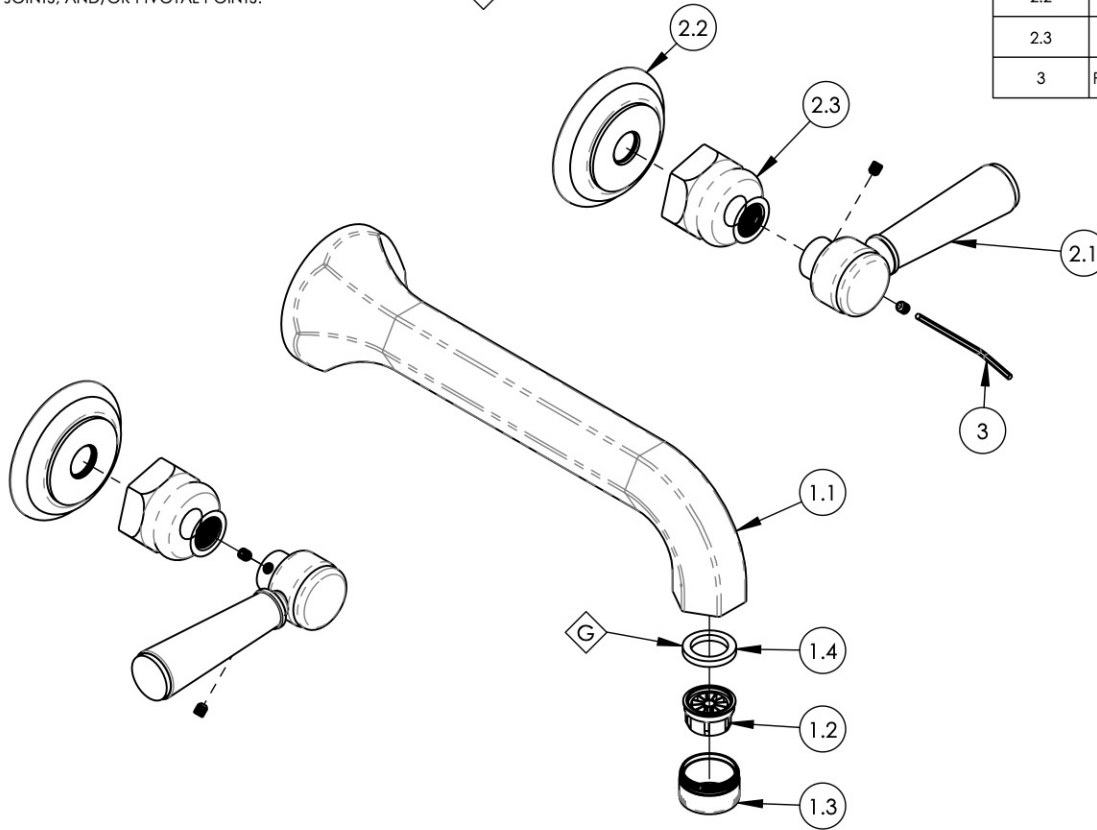
- A. BLACK MARBLE = 3-373/00X030
- B. WHITE MARBLE = 3-373/00X031
- C. SOAPSTONE = 3-373/00X032

3. AVAILABLE HANDLE STONE OPTIONS:

- A. BLACK MARBLE = 11328 (030)
- B. WHITE MARBLE = 11329 (031)
- C. SOAPSTONE = 11330 (032)

4. APPLY NSF COMPLIANT GREASE TO ANY O-RING, SEALING JOINTS, AND/OR PIVOTAL POINTS. G

| ITEM NO. | PART NUMBER | DESCRIPTION | QTY. |
|----------|-------------|---|------|
| 1 | 3-147/00 | SPOUT, WALL TUB, 500/501 SERIES | 1 |
| 1.1 | 10427/00 | SPOUT WALL, CAST BRASS, HEX | 1 |
| 1.2 | 10721 | AERATOR, NEOSTRAHL FULL FLOW | 1 |
| 1.3 | 30032/00 | AERATOR HOUSING 15/16" MALE HOUSING | 1 |
| 1.4 | 30030 | RUBBER SEAL WASHER AERATOR, NEOPERL PRT # BW.7110.1 | 1 |
| 2 | 3-373/00 | MARBLE LEVER HANDLE ASSY., WALL/SHOWER | 2 |
| 2.1 | 2-142/00 | MARBLE LEVER HANDLE, 500 SERIES, HEX TRADITIONAL | 1 |
| 2.2 | 10618/00 | ESCUTCHEON, TRADITIONAL 500 | 1 |
| 2.3 | 10621/00 | BASE HUB NUT | 1 |
| 3 | P39001 | HEX KEY 5/64, FOR 8-32 SET SCREW | 1 |



| ZONE | REV. | DESCRIPTION | DATE | APPROVED |
|-----------|------|-------------|------|----------|
| REVISIONS | | | | |

1261 LOGAN AVENUE
COSTA MESA, CALIFORNIA 92626
PHONE: 714.361.4800
FAX: 714.617.3120

PHYLIRICH[®]
Defining Luxury Since 1959

PROPRIETARY AND CONFIDENTIAL
THE INFORMATION CONTAINED IN THIS DRAWING IS THE SOLE PROPERTY OF PHYLIRICH. ANY REPRODUCTION IN PART OR AS A WHOLE WITHOUT THE WRITTEN PERMISSION OF PHYLIRICH IS PROHIBITED.

| | | | | |
|-----------------------------|---------|---|---|-----------------------|
| - | - | INTERPRET GEOMETRIC DIMENSIONING & TOLERANCING IN ACCORDANCE WITH ASME Y14.5-2009 & ASME Y14.41-2003 STANDARDS, UNLESS OTHERWISE SPECIFIED. DIMENSIONS ARE IN INCHES. TOLERANCES ARE: | | |
| NEXT ASSY | USED ON | FRACTIONS ±1/16" | DECIMALS X.X: ±.1 X.XX: ±.01 X.XXX: ±.005 | ANGULAR ±2° |
| APPLICATION | | MATERIAL | NAME | DATE |
| FINISH | | DRAWN | AMM | 4/27/2020 |
| DO NOT SCALE DRAWING | | CHECKED | | |

WALL TUB SET, MARBLE, HEX TRADITIONAL

SIZE **A** ASM/PRT NO. 500-58/00 REV -

SCALE: 1:3 WEIGHT: lbs. SHEET 1 OF 2