

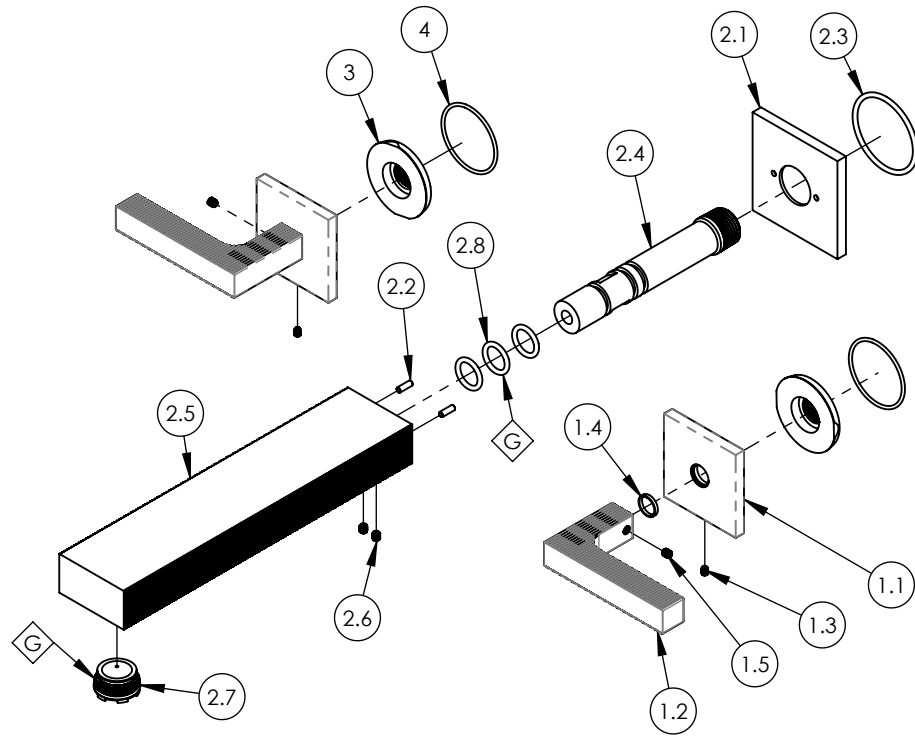
NOTE(S):
 1. PART NUMBER, "/00" DENOTES PART SHALL HAVE FINISH.

2. APPLY NSF COMPLIANT GREASE TO ANY O-RING, SEALING JOINTS, AND/OR PIVOTAL POINTS.

3. APPLY NSF COMPLIANT LOCTITE TO THREADED AREA.

4. APPLY NSF COMPLIANT REMOVABLE (BLUE) LOCTITE TO THREADED AREA.

5. SILVER SOLDER JOINTS SHALL BE FULLY WETTED VIA CAPILLARY ACTION AND COMPLETELY NON-POROUS.



ITEM NO.	PART NUMBER	DESCRIPTION	QTY.
1	3-109/00	ASSY, HANDLE RIBBED LEVER	2
1.1	10937/00	ESCUTCHEON, HANDLE EDGE SERIES	1
1.2	10298/00	HANDLE, LEVER EDGE SERIES	1
1.3	92005	SET SCREW, CUP PT 6-32 UNC THREAD 3/16"L	1
1.4	92176	WEAR WASHER	1
1.5	92008	SET SCREW, CUP POINT 8-32, 3/16" L.	1
2	3-127/00	SPOUT, WALL TUB, 291 STRIA	1
2.1	10939/00	ESCUTCHEON, WIDESPREAD	1
2.2	92158	DOWEL PIN, 1/8" X 3/8"L	2
2.3	90131	O-RING, 1-11/16ID X 3/32THK, AS-568-131	1
2.4	10013	INJECTOR SHANK, 1/2"NPT MALE TO M16.5 CACHE W/ O-SEAL	1
2.5	11010/00	SPOUT, WALL MOUNT	1
2.6	92008	SET SCREW, CUP POINT 8-32, 3/16" L.	2
2.7	P05051	AERATOR, CACHE COINED SLOT M24X1.0 FULL FLOW	1
2.8	90113	O-RING, 9/16"ID X 3/4"OD X 3/32"THK, AS-568-113	3
3	11003	SLEEVE MOUNT, WALL MT WIDESPREAD	2
4	90029	O-RING, 1-5/8"ID X 1-3/4"OD X 1/16"THK, AS-568-029	2

ALL	A	UPDATE SPOUT ASSEMBLY, EXPLODE VIEW	6/11/2021	AMM
ZONE	REV.	DESCRIPTION	DATE	APPROVED
REVISIONS				

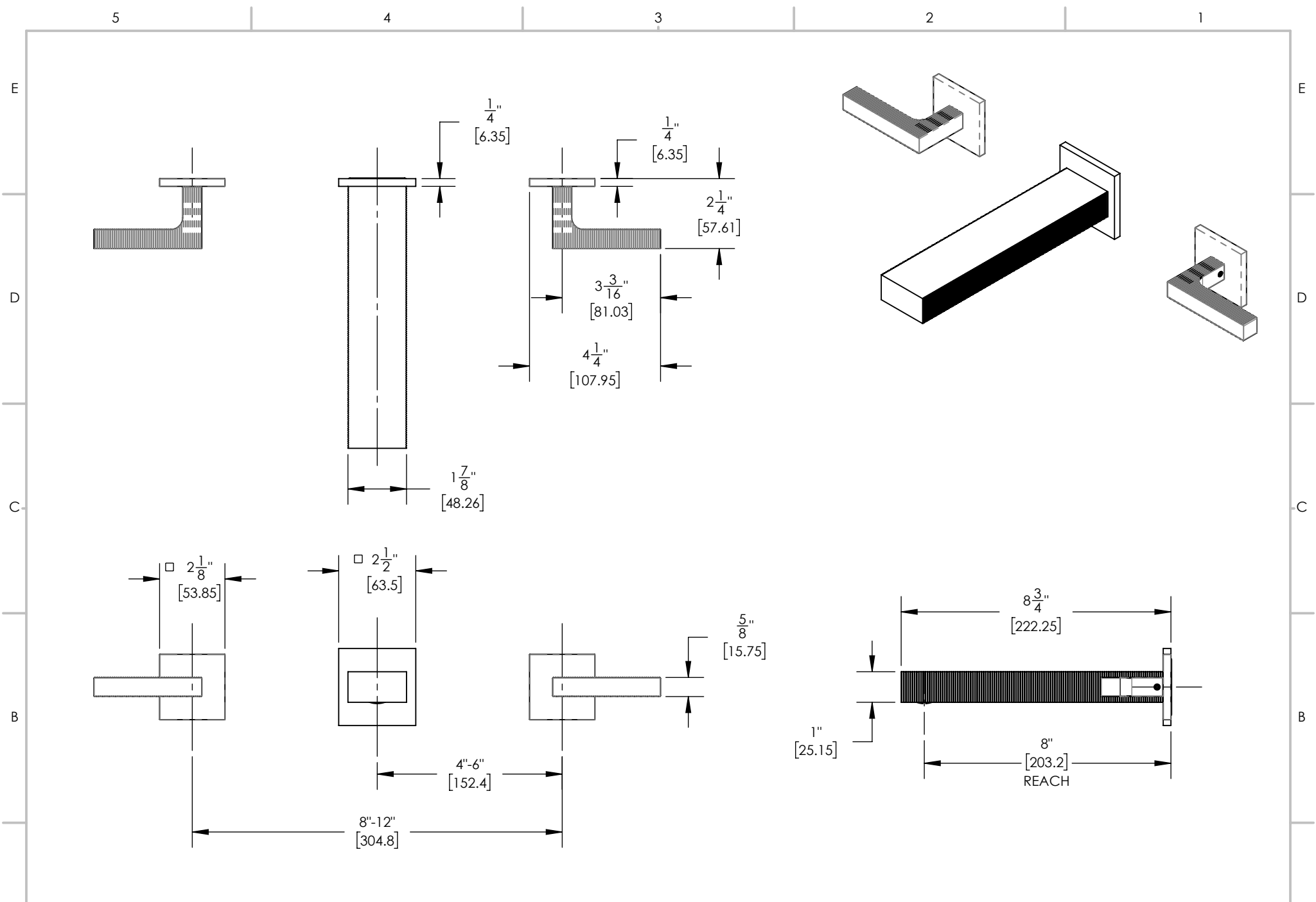
1261 LOGAN AVENUE
 COSTA MESA, CALIFORNIA 92626
 PHONE: 714.361.4800
 FAX: 714.617.3120

PHYLIRICH[®]
 Defining Luxury Since 1959

PROPRIETARY AND CONFIDENTIAL
 THE INFORMATION CONTAINED IN THIS DRAWING IS THE SOLE PROPERTY OF PHYLIRICH. ANY REPRODUCTION IN PART OR AS A WHOLE WITHOUT THE WRITTEN PERMISSION OF PHYLIRICH IS PROHIBITED.
DO NOT SCALE DRAWING

WALL TUB SET TRIM, LEVER HANDLE, STRIA

SIZE	ASM/PRT NO.	REV
A	291-57/00	A
SCALE: 1:4	WEIGHT: lbs.	SHEET 1 OF 2



1261 LOGAN AVENUE
 COSTA MESA, CALIFORNIA 92626
 PHONE: 714.361.4800
 FAX: 714.617.3120

PHYLIRICH[®]
 Defining Luxury Since 1959

PROPRIETARY AND CONFIDENTIAL
 THE INFORMATION CONTAINED IN THIS DRAWING IS THE SOLE PROPERTY OF PHYLIRICH. ANY REPRODUCTION IN PART OR AS A WHOLE WITHOUT THE WRITTEN PERMISSION OF PHYLIRICH IS PROHIBITED.
DO NOT SCALE DRAWING

WALL TUB SET TRIM, LEVER HANDLE, STRIA

SIZE A	ASM/PRT NO. 291-57/00	REV A
------------------	--------------------------	----------

SCALE: 1:4	WEIGHT: lbs.	SHEET 2 OF 2
------------	--------------	--------------

A

A