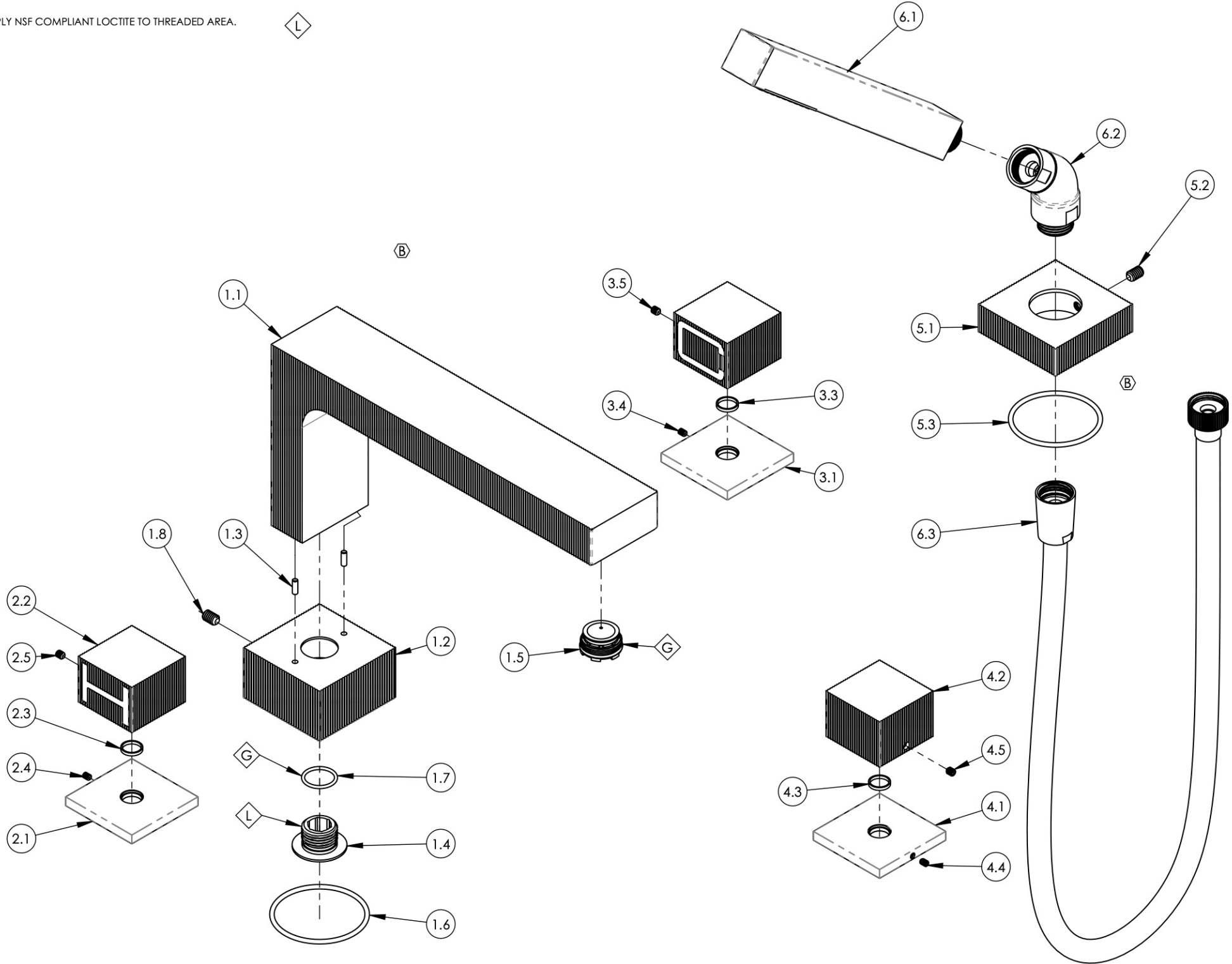


- NOTE(S):
1. APPLY NSF COMPLIANT GREASE TO ANY O-RING, SEALING JOINTS, AND/OR PIVOTAL POINTS. G
 2. APPLY NSF COMPLIANT LOCTITE TO THREADED AREA. L



ITEM NO.	PART NUMBER	DESCRIPTION	QTY.
1	3-107/00	ASSY, SPOUT ROMAN TUB RIBBED LOW, STRIA	1
1.1	10951/00	SPOUT, DECK TUB 291 STRIA	1
1.2	11224/00	ESCUTCHEON, SPOUT STRIA SERIES	1
1.3	92158	DOWEL PIN, 1/8" X 3/8"L	2
1.4	11220	SPUD SCREW, 1/2"-NPSM CONNECTOR	1
1.5	P05051	AERATOR, CACHE COINED SLOT M24X1.0 FULL FLOW	1
1.6	90137	O-RING, 2-1/16"ID X 3/32"THK., AS-568-137	1
1.7	90017	O-RING, 11/16"ID X 13/16"OD X 1/16"THK, AS-568-017	1
1.8	92173	SET SCREW, CUP PT, 1/4"-20 X 3/8" L	1
2	3-110/00	ASSY, HANDLE RIBBED CUBE HOT	1
2.1	10937/00	ESCUTCHEON, HANDLE EDGE SERIES	1
2.2	10931/00	HANDLE, "H" SQUARE/CUBE EDGE SERIES	1
2.3	92176	WEAR WASHER	1
2.4	92005	SET SCREW, CUP PT 6-32 UNC THREAD 3/16"L	1
2.5	92008	SET SCREW, CUP POINT 8-32, 3/16" L	1
3	3-111/00	ASSY, HANDLE RIBBED CUBE COLD	1
3.1	10937/00	ESCUTCHEON, HANDLE EDGE SERIES	1
3.2	10930/00	HANDLE, "C" SQUARE/CUBE EDGE SERIES	1
3.3	92176	WEAR WASHER	1
3.4	92005	SET SCREW, CUP PT 6-32 UNC THREAD 3/16"L	1
3.5	92008	SET SCREW, CUP POINT 8-32, 3/16" L	1
4	3-131/00	HANDLE CUBE 291 EDGE SERIES, NO LETTER	1
4.1	10937/00	ESCUTCHEON, HANDLE EDGE SERIES	1
4.2	11013/00	HANDLE, SQUARE/CUBE NO LETTER, EDGE SERIES	1
4.3	92176	WEAR WASHER	1
4.4	92005	SET SCREW, CUP PT 6-32 UNC THREAD 3/16"L	1
4.5	92008	SET SCREW, CUP POINT 8-32, 3/16" L	1
5	3-218/00	ESCUTCHEON BASE, HANDSHOWER, STRIA	1
5.1	11225/00	ESCUTCHEON BASE, DECK TUB, HANDSHOWER, STRIA	1
5.2	92173	SET SCREW, CUP PT, 1/4"-20 X 3/8" L	1
5.3	90135	O-RING, 1-15/16"ID X 3/32"THK, AS-568-135	1
6	4-522/00	HAND SHOWER HEAD, HOSE, ELBOW, SQUARE, WAVELAND	1
6.1	3-600/00	HAND SHOWER, SQUARE, MODERN	1
6.2	3-050/00	ELBOW ASSEMBLY	1
6.3	3-049/00	ASSY. HOSE KIT, HANDSHOWER	1

ALL	B	DESCRIPTION	DATE	APPROVED
REV.		TEMPLATE/ SPOUT ASSY UPDATED, HS ESCUTCHEON ADDED TO SUBASSY	2/12/2020	AMM
REVISIONS				
1261 LOGAN AVENUE COSTA MESA, CALIFORNIA 92626 PHONE: 714.361.4800 FAX: 714.617.3120		PHYLIRICH Defining Luxury Since 1959		PROPRIETARY AND CONFIDENTIAL THE INFORMATION CONTAINED IN THIS DRAWING IS THE SOLE PROPERTY OF PHYLIRICH. ANY REPRODUCTION IN PART OR AS A WHOLE WITHOUT THE WRITTEN PERMISSION OF PHYLIRICH IS PROHIBITED.

INTERPRET GEOMETRIC DIMENSIONING & TOLERANCING IN ACCORDANCE WITH ASME Y14.5-2009 & ASME Y14.41-2003 STANDARDS, UNLESS OTHERWISE SPECIFIED, DIMENSIONS ARE IN INCHES. TOLERANCES ARE:		
FRACTIONS ±1/16"	DECIMALS X.X: ±.1 X.XX: ±.01 X.XXX: ±.005	ANGULAR ±2°
NEXT ASSY	USED ON	APPLICATION
MATERIAL	NAME	DATE
FINISH	DRAWN	11/27/2013
DO NOT SCALE DRAWING	CHECKED	MAF

DECK HAND SHOWER KIT, CUBE HANDLE, STRIA SERIES		
SIZE	ASM/PRT NO.	REV
B	291-51/00	B
SCALE: 1:2.75	WEIGHT: lbs.	SHEET 1 OF 2