

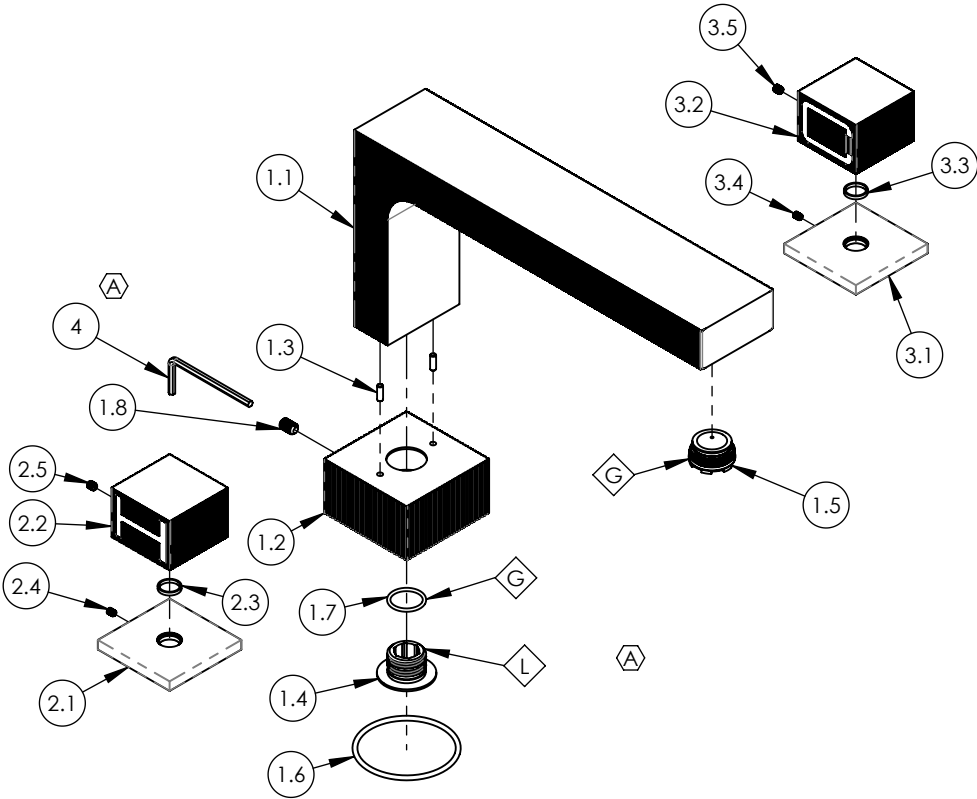
NOTE(S):
 1. PART NUMBER, "/00" DENOTES PART SHALL HAVE FINISH.

2. APPLY NSF COMPLIANT GREASE TO ANY O-RING, SEALING JOINTS, AND/OR PIVOTAL POINTS.

3. APPLY NSF COMPLIANT LOCTITE TO THREADED AREA.

4. APPLY NSF COMPLIANT REMOVABLE (BLUE) LOCTITE TO THREADED AREA.

5. SILVER SOLDER JOINTS SHALL BE FULLY WETTED VIA CAPILLARY ACTION AND COMPLETELY NON-POROUS.



ITEM NO.	PART NUMBER	DESCRIPTION	QTY.
1	3-107/00	ASSY, SPOUT ROMAN TUB RIBBED LOW, STRIA	1
1.1	10951/00	SPOUT, DECK TUB 291 STRIA	1
1.2	11224/00	ESCUTCHEON, SPOUT STRIA SERIES	1
1.3	92158	DOWEL PIN, 1/8" X 3/8"L	2
1.4	11220	SPUD SCREW, 1/2"-NPSM CONNECTOR	1
1.5	P05051	AERATOR, CACHE COINED SLOT M24X1.0 FULL FLOW	1
1.6	90137	O-RING, 2-1/16"ID X 3/32"THK., AS-568-137	1
1.7	90017	O-RING, 11/16"ID X 13/16"OD X 1/16"THK, AS-568-017	1
1.8	92173	SET SCREW, CUP PT, 1/4"-20 X 3/8" L	1
2	3-110/00	ASSY, HANDLE RIBBED CUBE HOT	1
2.1	10937/00	ESCUTCHEON, HANDLE EDGE SERIES	1
2.2	10931/00	HANDLE, "H" SQUARE/CUBE EDGE SERIES	1
2.3	92176	WEAR WASHER	1
2.4	92005	SET SCREW, CUP PT 6-32 UNC THREAD 3/16"L	1
2.5	92008	SET SCREW, CUP POINT 8-32, 3/16" L.	1
3	3-111/00	ASSY, HANDLE RIBBED CUBE COLD	1
3.1	10937/00	ESCUTCHEON, HANDLE EDGE SERIES	1
3.2	10930/00	HANDLE, "C" SQUARE/CUBE EDGE SERIES	1
3.3	92176	WEAR WASHER	1
3.4	92005	SET SCREW, CUP PT 6-32 UNC THREAD 3/16"L	1
3.5	92008	SET SCREW, CUP POINT 8-32, 3/16" L.	1
4	92216	HEX L-KEY 1/8" HEX x 2-5/16"L	1

ALL	A	EXPLODE VIEW, REMOVE SLEEVE MOUNTS & SPOUT ROUGH IN, ADD CALL OUTS & HEX KEY	6/16/2021	AMM
ZONE	REV.	DESCRIPTION	DATE	APPROVED
REVISIONS				

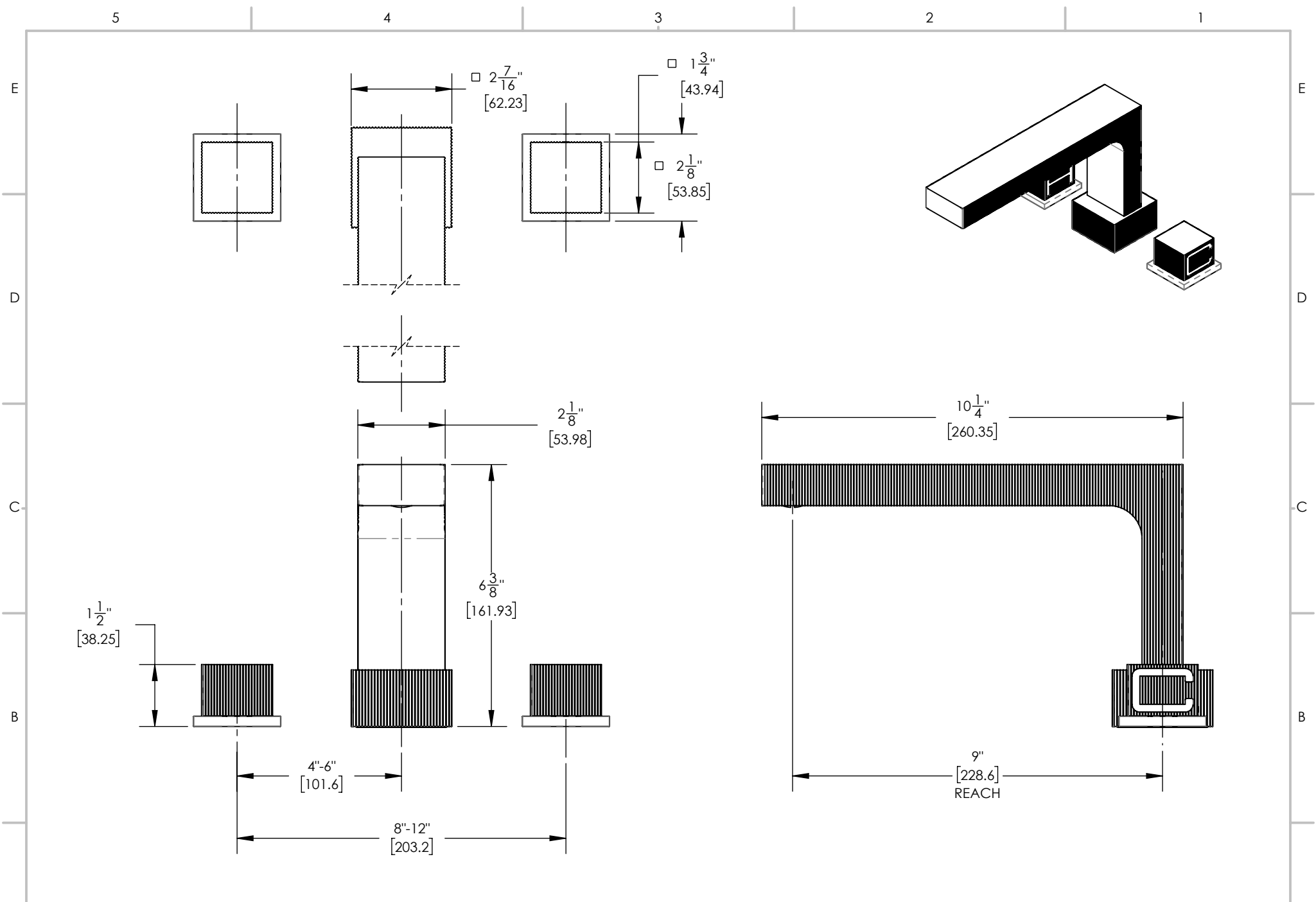
1261 LOGAN AVENUE
 COSTA MESA, CALIFORNIA 92626
 PHONE: 714.361.4800
 FAX: 714.617.3120

PHYL RICH[®]
 Defining Luxury Since 1959

PROPRIETARY AND CONFIDENTIAL
 THE INFORMATION CONTAINED IN THIS DRAWING IS THE SOLE PROPERTY OF PHYL RICH. ANY REPRODUCTION IN PART OR AS A WHOLE WITHOUT THE WRITTEN PERMISSION OF PHYL RICH IS PROHIBITED.
DO NOT SCALE DRAWING

DECK TUB SET TRIM, CUBE HANDLE, STRIA

SIZE A	ASM/PRT NO. 291-43/00	REV A
SCALE: 1:4	WEIGHT: lbs.	SHEET 1 OF 2



1261 LOGAN AVENUE
 COSTA MESA, CALIFORNIA 92626
 PHONE: 714.361.4800
 FAX: 714.617.3120

PHYLIRICH[®]
 Defining Luxury Since 1959

PROPRIETARY AND CONFIDENTIAL
 THE INFORMATION CONTAINED IN THIS DRAWING IS THE SOLE PROPERTY OF PHYLIRICH. ANY REPRODUCTION IN PART OR AS A WHOLE WITHOUT THE WRITTEN PERMISSION OF PHYLIRICH IS PROHIBITED.
DO NOT SCALE DRAWING

DECK TUB SET TRIM, CUBE HANDLE, STRIA

SIZE A	ASM/PRT NO.	REV
	291-43/00	A
SCALE: 1:3	WEIGHT: lbs.	SHEET 2 OF 2

A

A

5

4

3

2

1