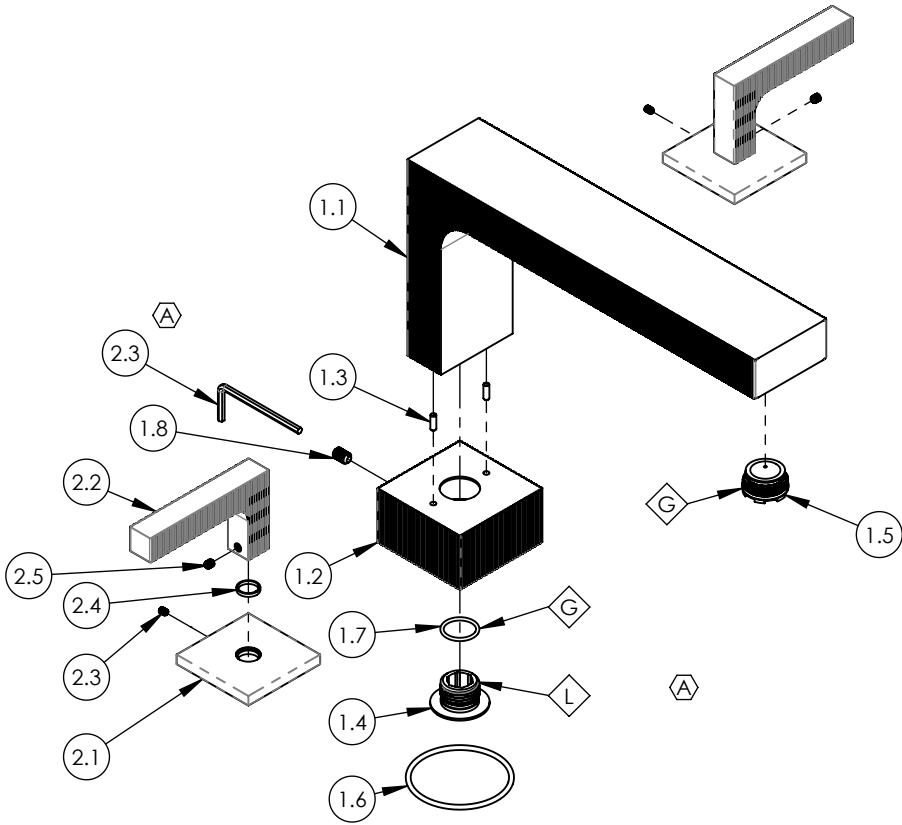


- NOTE(S):
1. PART NUMBER, "/00" DENOTES PART SHALL HAVE FINISH.
 2. APPLY NSF COMPLIANT GREASE TO ANY O-RING, SEALING JOINTS, AND/OR PIVOTAL POINTS. G
 3. APPLY NSF COMPLIANT LOCTITE TO THREADED AREA. L
 4. APPLY NSF COMPLIANT REMOVABLE (BLUE) LOCTITE TO THREADED AREA. B
 5. SILVER SOLDER JOINTS SHALL BE FULLY WETTED VIA CAPILLARY ACTION AND COMPLETELY NON POROUS. S

ITEM NO.	PART NUMBER	DESCRIPTION	QTY.
1	3-107/00	ASSY, SPOUT ROMAN TUB RIBBED LOW, STRIA	1
1.1	10951/00	SPOUT, DECK TUB 291 STRIA	1
1.2	11224/00	ESCUTCHEON, SPOUT STRIA SERIES	1
1.3	92158	DOWEL PIN, 1/8" X 3/8"L	2
1.4	11220	SPUD SCREW, 1/2"-NPSM CONNECTOR	1
1.5	P05051	AERATOR, CACHE COINED SLOT M24X1.0 FULL FLOW	1
1.6	90137	O-RING, 2-1/16"ID X 3/32"THK., AS-568-137	1
1.7	90017	O-RING, 11/16"ID X 13/16"OD X 1/16"THK, AS-568-017	1
1.8	92173	SET SCREW, CUP PT, 1/4"-20 X 3/8" L	1
2	3-109/00	ASSY, HANDLE RIBBED LEVER	2
2.1	10937/00	ESCUTCHEON, HANDLE EDGE SERIES	1
2.2	10298/00	HANDLE, LEVER EDGE SERIES	1
2.3	92005	SET SCREW, CUP PT 6-32 UNC THREAD 3/16"L	1
2.4	92176	WEAR WASHER	1
2.5	92008	SET SCREW, CUP POINT 8-32, 3/16" L.	1
2.3	92216	HEX L-KEY 1/8" HEX x 2-5/16"L	1



ALL	A	EXPLODE VIEW, REMOVE SLEEVE MOUNTS & SPOUT ROUGH IN, ADD CALL OUTS & HEX KEY	6/16/2021	AMM
ZONE	REV.	DESCRIPTION	DATE	APPROVED
REVISIONS				

1261 LOGAN AVENUE
COSTA MESA, CALIFORNIA 92626
PHONE: 714.361.4800
FAX: 714.617.3120

PHYL RICH[®]
Defining Luxury Since 1959

PROPRIETARY AND CONFIDENTIAL
THE INFORMATION CONTAINED IN THIS DRAWING IS THE SOLE PROPERTY OF PHYL RICH. ANY REPRODUCTION IN PART OR AS A WHOLE WITHOUT THE WRITTEN PERMISSION OF PHYL RICH IS PROHIBITED.
DO NOT SCALE DRAWING

DECK TUB SET TRIM, LEVER HANDLE, STRIA

SIZE A	ASM/PRT NO. 291-41/00	REV A
SCALE: 1:4	WEIGHT: lbs.	SHEET 1 OF 2

5

4

3

2

1

E

E

D

D

C

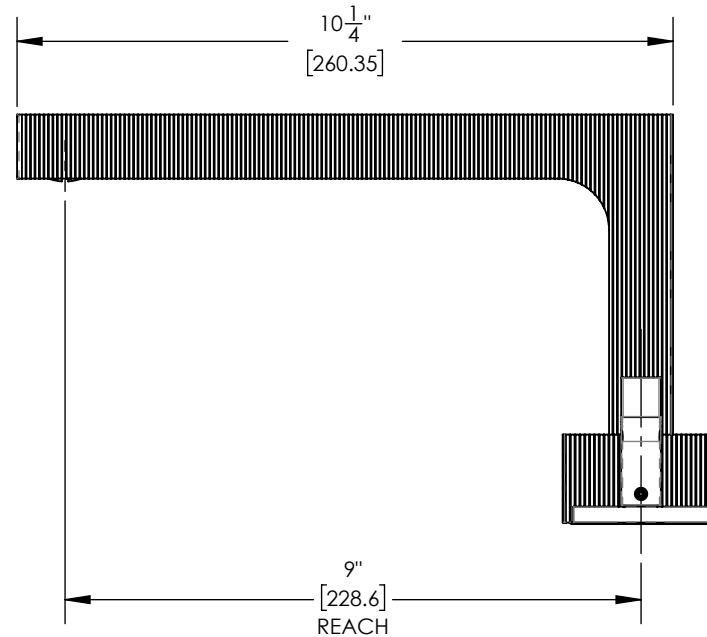
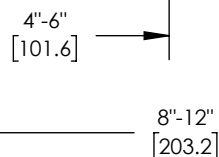
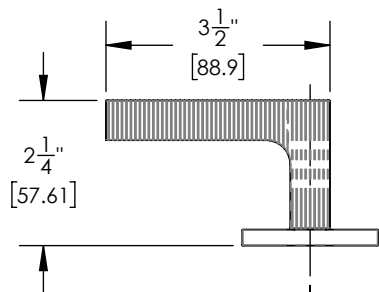
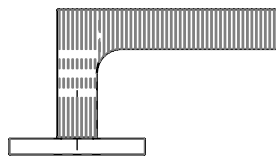
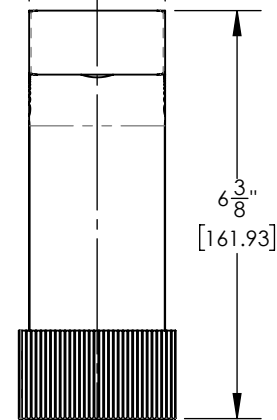
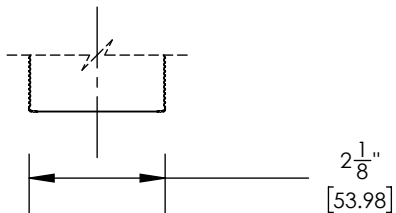
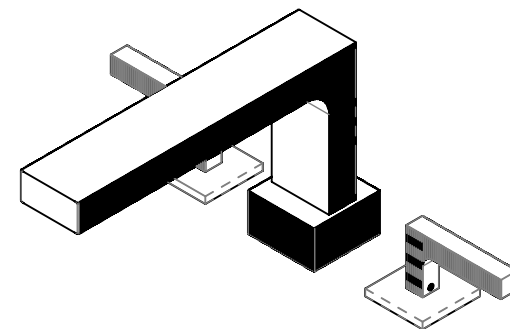
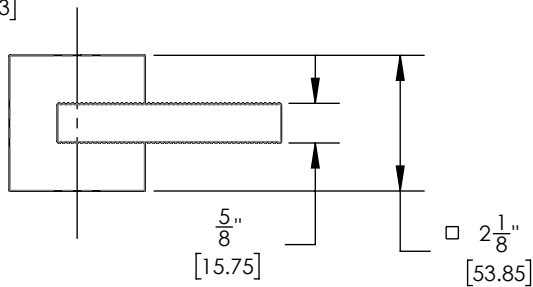
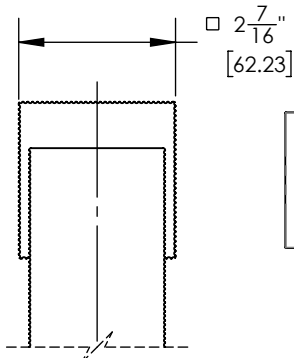
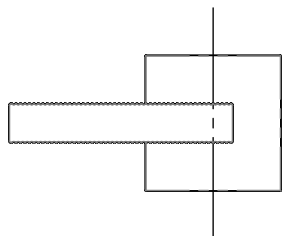
C

B

B

A

A



1261 LOGAN AVENUE
COSTA MESA, CALIFORNIA 92626
PHONE: 714.361.4800
FAX: 714.617.3120

PHYLIRICH[®]
Defining Luxury Since 1959

PROPRIETARY AND CONFIDENTIAL
THE INFORMATION CONTAINED IN THIS DRAWING IS THE SOLE PROPERTY OF PHYLIRICH. ANY REPRODUCTION IN PART OR AS A WHOLE WITHOUT THE WRITTEN PERMISSION OF PHYLIRICH IS PROHIBITED.
DO NOT SCALE DRAWING

DECK TUB SET TRIM, LEVER HANDLE, STRIA

SIZE A	ASM/PRT NO. 291-41/00	REV A
------------------	--------------------------	----------

SCALE: 1:3	WEIGHT: lbs.	SHEET 2 OF 2
------------	--------------	--------------

5

4

3

2

1