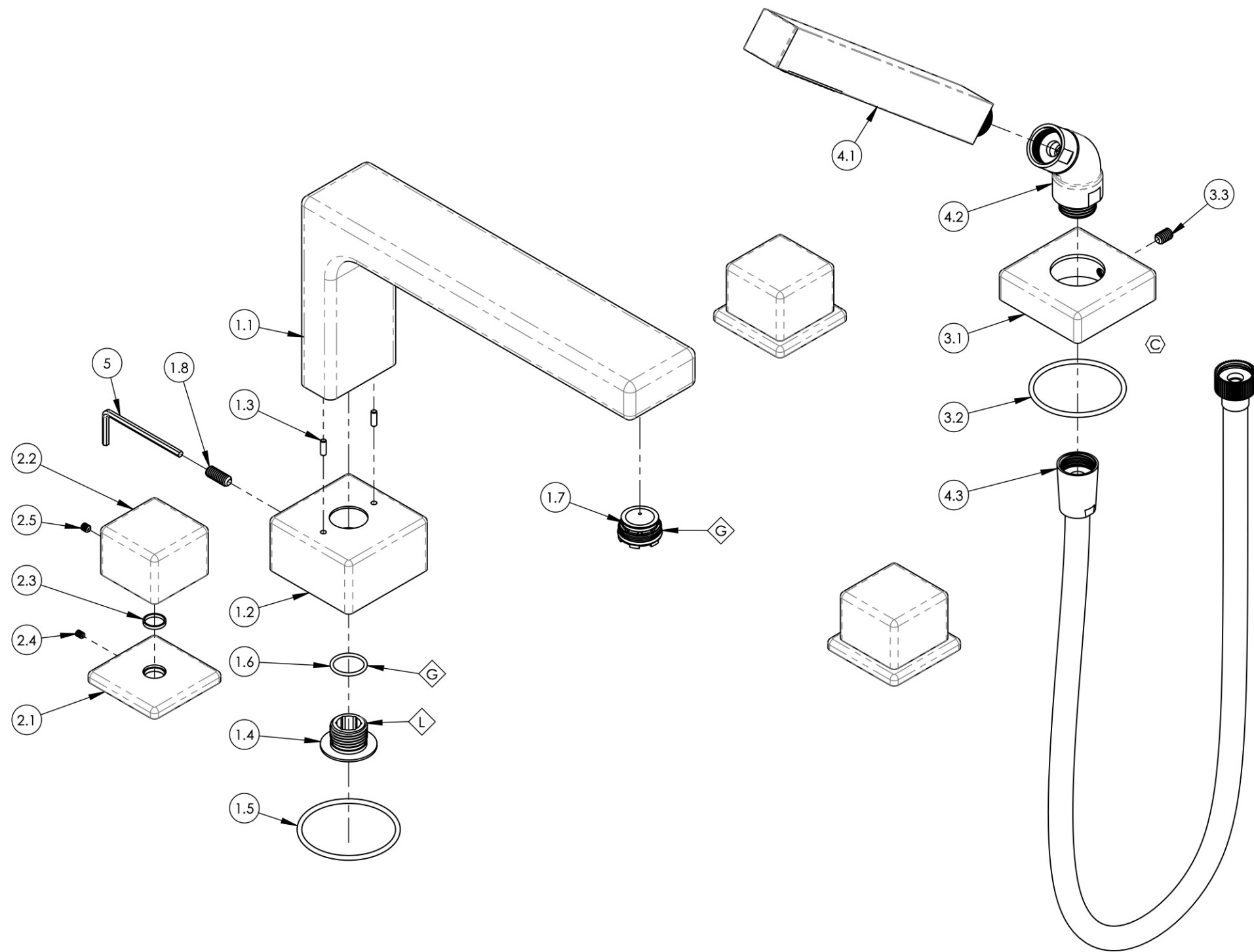


NOTE(S):

- 1. APPLY NSF COMPLIANT GREASE TO ANY O-RING, SEALING JOINTS, AND/OR PIVOTAL POINTS. G
- 2. APPLY NSF COMPLIANT LOCTITE TO THREADED AREA. L



ITEM NO.	PART NUMBER	DESCRIPTION	QTY.
1	3-099/00	ASSEMBLY, SPOUT ROMAN TUB, LOW, MIX SERIES	1
1.1	10949/00	SPOUT, DECK TUB 290 MIX	1
1.2	11221/00	ESCUTCHEON, SPOUT MIX SERIES	1
1.3	92158	DOWEL PIN, 1/8" X 3/8"L	2
1.4	11220	SPUD SCREW, 1/2"-NPSM CONNECTOR	1
1.5	90137	O-RING, 2-1/16"ID X 3/32"THK., AS-568-137	1
1.6	90017	O-RING, 11/16"ID X 13/16"OD X 1/16"THK, AS-568-017	1
1.7	P05051	AERATOR, CACHE COINED SLOT M24X1.0 FULL FLOW	1
1.8	92262	SET SCREW, CUP PT 1/4"-20 X 5/8"L	1
2	3-102/00	ASSY, HANDLE CUBE MIX	3
2.1	10932/00	ESCUTCHEON, HANDLE MIX SERIES	1
2.2	10926/00	HANDLE, SQUARE/CUBE MIX SERIES	1
2.3	92176	WEAR WASHER	1
2.4	92005	SET SCREW, CUP PT 6-32 UNC THREAD 3/16"L	1
2.5	92008	SET SCREW, CUP POINT 8-32, 3/16" L	1
3	3-219/00	ESCUTCHEON BASE, HANDSHOWER, MIX	1
3.1	11215/00	ESCUTCHEON BASE, DECK TUB, HANDSHOWER, MIX	1
3.2	90135	O-RING, 1-15/16"ID X 3/32"THK, AS-568-135	1
3.3	92173	SET SCREW, CUP PT, 1/4"-20 X 3/8" L	1
4	4-522/00	HAND SHOWER HEAD, HOSE, ELBOW, SQUARE, WAVELAND	1
4.1	3-600/00	HAND SHOWER, SQUARE, MODERN	1
4.2	3-050/00	ELBOW ASSEMBLY	1
4.3	3-049/00	ASSY. HOSE KIT, HANDSHOWER	1
5	92216	HEX L-KEY 1/8" HEX x 2-5/16"L	1

D4	C	UPDATE HS ESCUTCHEON, ADD TO SUBASSY	2/12/2020	AMM
ZONE	REV.	DESCRIPTION	DATE	APPROVED
REVISIONS				
1261 LOGAN AVENUE COSTA MESA, CALIFORNIA 92626 PHONE: 714.361.4800 FAX: 714.617.3120		PHYLIRICH Defining Luxury Since 1959	PROPRIETARY AND CONFIDENTIAL THE INFORMATION CONTAINED IN THIS DRAWING IS THE SOLE PROPERTY OF PHYLIRICH. ANY REPRODUCTION IN PART OR AS A WHOLE WITHOUT THE WRITTEN PERMISSION OF PHYLIRICH IS PROHIBITED.	

NEXT ASSY	USED ON	FRACTIONS ±1/16"	DECIMALS X.X: ±.1 X.XX: ±.01 X.XXX: ±.005	ANGULAR ±2°
APPLICATION		MATERIAL	NAME	DATE
FINISH		DRAWN	NP	12/22/2015
DO NOT SCALE DRAWING		CHECKED	MAF	

DECK TUB SET W/ HANDSHOWER, CUBE, MIX		
SIZE	ASM/PRT NO.	REV
B	290-51/00	C
SCALE: 1:2.75	WEIGHT: lbs.	SHEET 1 OF 2