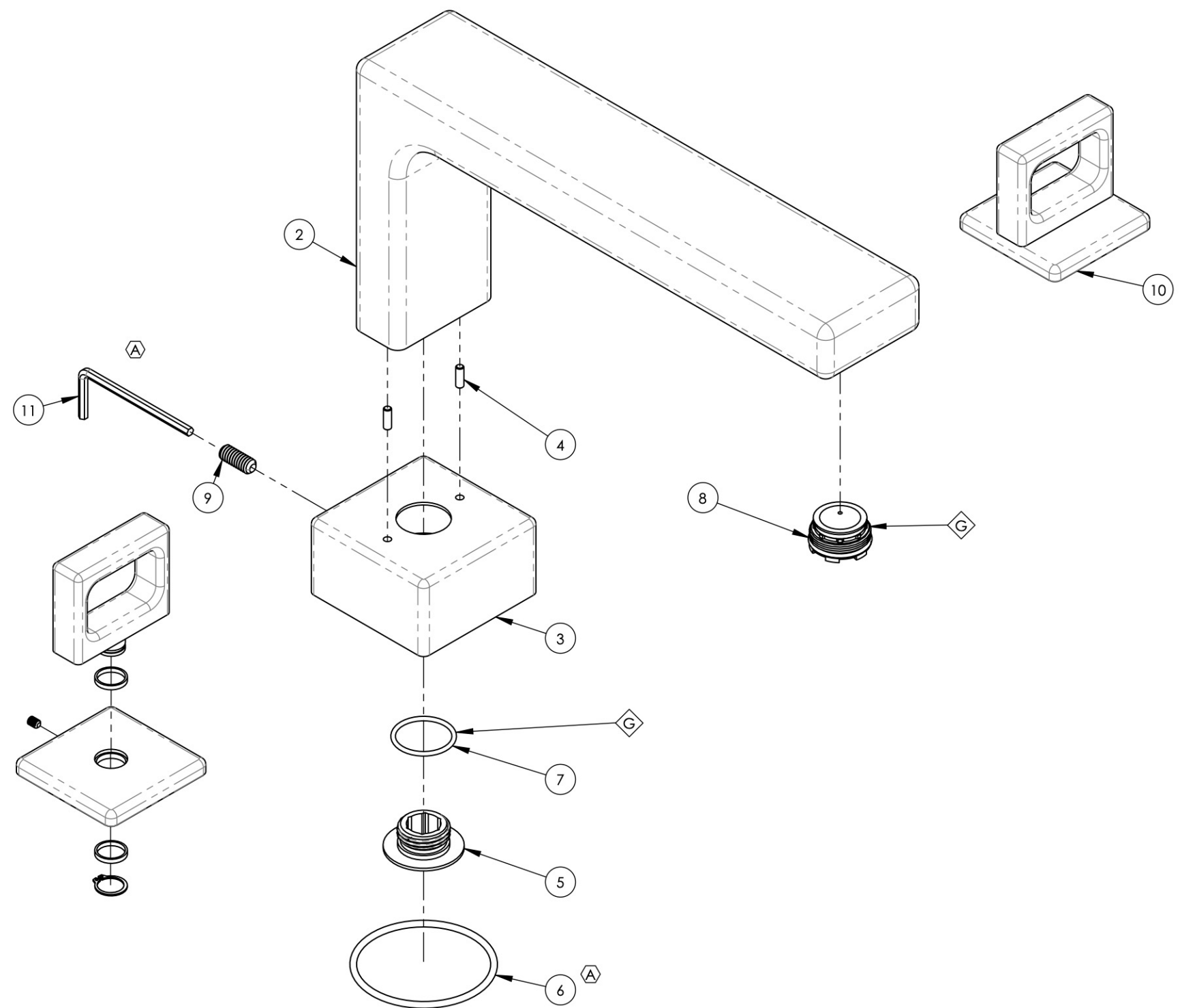


NOTE(S):
 1. PART NUMBER, "/00" DENOTES PART SHALL HAVE FINISH.
 2. APPLY NSF COMPLIANT GREASE TO ANY O-RING, SEALING JOINTS, AND/OR PIVOTAL POINTS.



ITEM NO.	PART NUMBER	DESCRIPTION	QTY.
1	3-099/00	ASSEMBLY, SPOUT ROMAN TUB, LOW, MIX SERIES	1
2	10949/00	SPOUT, DECK TUB 290 MIX	1
3	11221/00	ESCUTCHEON, SPOUT MIX SERIES	1
4	92158	DOWEL PIN, 1/8" X 3/8"L	2
5	11220	SPUD SCREW, 1/2"-NPSM CONNECTOR	1
6	90137	O-RING, 2-1/16"ID X 3/32"THK., AS-568-137	1
7	90020	O-RING, 7/8"ID X 1"OD X 1/16"THK., AS-568-020	1
8	P05051	AERATOR, CACHE COINED SLOT M24X1.0 FULL FLOW	1
9	92262	SET SCREW, CUP PT 1/4"-20 X 5/8"L	1
10	3-103/00	ASSY, HANDLE WINDOW MIX	2
11	92216	HEX L-KEY 1/8" HEX x 2-5/16"L	1



ALL	REV.	DESCRIPTION	DATE	APPROVED
ALL	A	REMOVE SLEEVE MOUNTS, UPDATE TEMPLATE/ DWG NAME, UPDATE O-RING, ADD HEX KEY	11/15/2019	AMM

1261 LOGAN AVENUE
 COSTA MESA, CALIFORNIA 92626
 PHONE: 714.361.4800
 FAX: 714.617.3120

PHYLIRICH
 Defining Luxury Since 1959

PROPRIETARY AND CONFIDENTIAL
 THE INFORMATION CONTAINED IN THIS DRAWING IS THE SOLE PROPERTY OF PHYLIRICH. ANY REPRODUCTION IN PART OR AS A WHOLE WITHOUT THE WRITTEN PERMISSION OF PHYLIRICH IS PROHIBITED.

NEXT ASSY	USED ON	FRACTIONS ±1/16"	DECIMALS X.X: ±.1 X.XX: ±.01 X.XXX: ±.005	ANGULAR ±2°
APPLICATION		MATERIAL	NAME	DATE
FINISH		DRAWN	CA	5/28/2013
DO NOT SCALE DRAWING		CHECKED	MAF	

DECK TUB SET, RING, MIX

SIZE	ASM/PRT NO.	REV
B	290-42/00	A

SCALE: 1:2 WEIGHT: lbs. SHEET 1 OF 2