

NOTE(S):
 1. PART NUMBER, "/00" DENOTES PART SHALL HAVE FINISH.

2. APPLY NSF COMPLIANT GREASE TO ANY O-RING, SEALING JOINTS, AND/OR PIVOTAL POINTS.

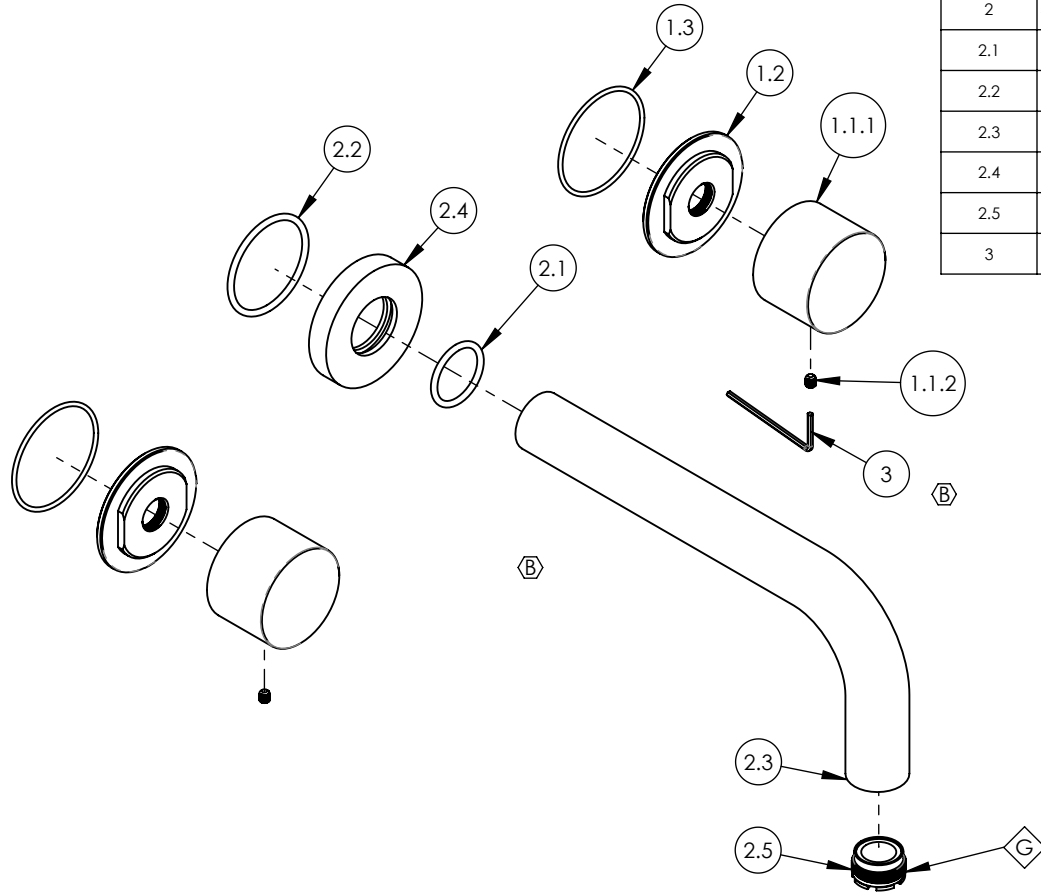
3. APPLY NSF COMPLIANT LOCTITE TO THREADED AREA.

4. APPLY NSF COMPLIANT REMOVABLE (BLUE) LOCTITE TO THREADED AREA.

5. SILVER SOLDER JOINTS SHALL BE FULLY WETTED VIA CAPILLARY ACTION AND COMPLETELY NON-POROUS.



ITEM NO.	PART NUMBER	DESCRIPTION	QTY.
1	3-386/00	SUB ASSY. SMOOTH HANDLE, BASIC II	2
1.1	2-248/00	HANDLE SMOOTH, BASIC II	1
1.1.1	10433/00	BASE HANDLE, CONTEMP. BASIC II	1
1.1.2	92008	SET SCREW, CUP POINT 8-32, 3/16" L.	1
1.2	11164/00	ESCUTCHEON BASE, CONTEMP. BASIC II	1
1.3	90031	O-RING, 1-3/4"ID X 1/16"THK, AS-568-031	1
2	3-418/00	WALL TUB, SPOUT ONLY, 7-1/2" L, BASIC	1
2.1	90119	O-RING, 15/16"ID X 1-1/8"OD X 3/32"THK, AS-568-119	1
2.2	90129	O-RING, 1-9/16"ID X 3/32"THK, AS-568-129	1
2.3	P19018/00	7-1/2" WALL LAV SPOUT, BASIC SERIES	1
2.4	P19017/00	ESCUTCHEON, FOR SPOUT	1
2.5	P05024	AERATOR CACHE COIN SLOT, M21.5X1.0 FULL FLOW	1
3	92021	HEX KEY 5/64, FOR 8-32 SET SCREW	1



ALL	B	UPDATE SPOUT ASSEMBLY, ADD HEX KEY	2/23/2022	AMM
ZONE	REV.	DESCRIPTION	DATE	APPROVED
REVISIONS				

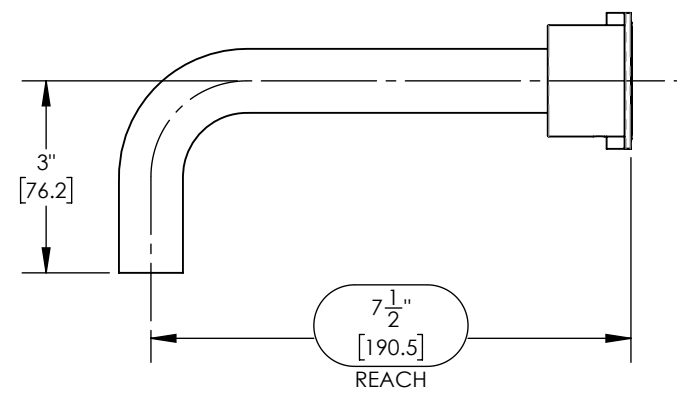
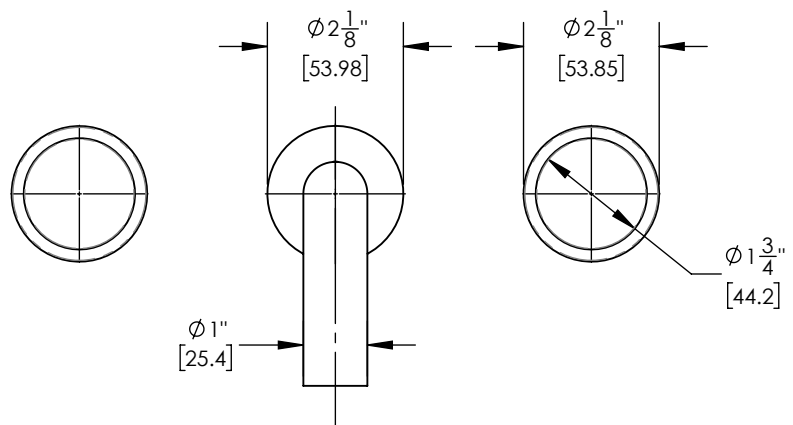
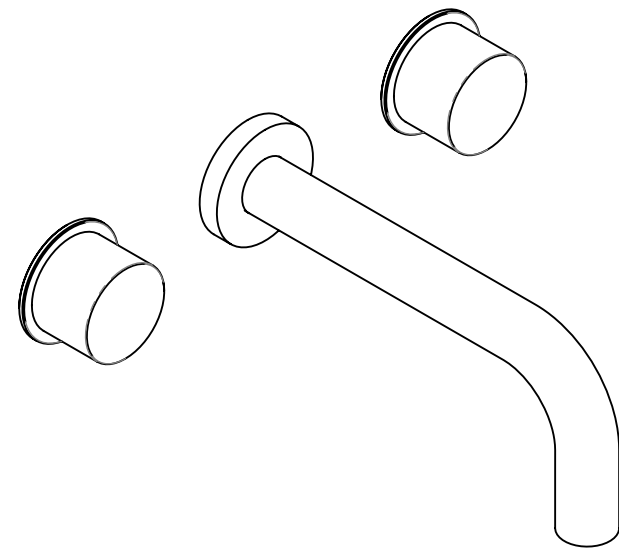
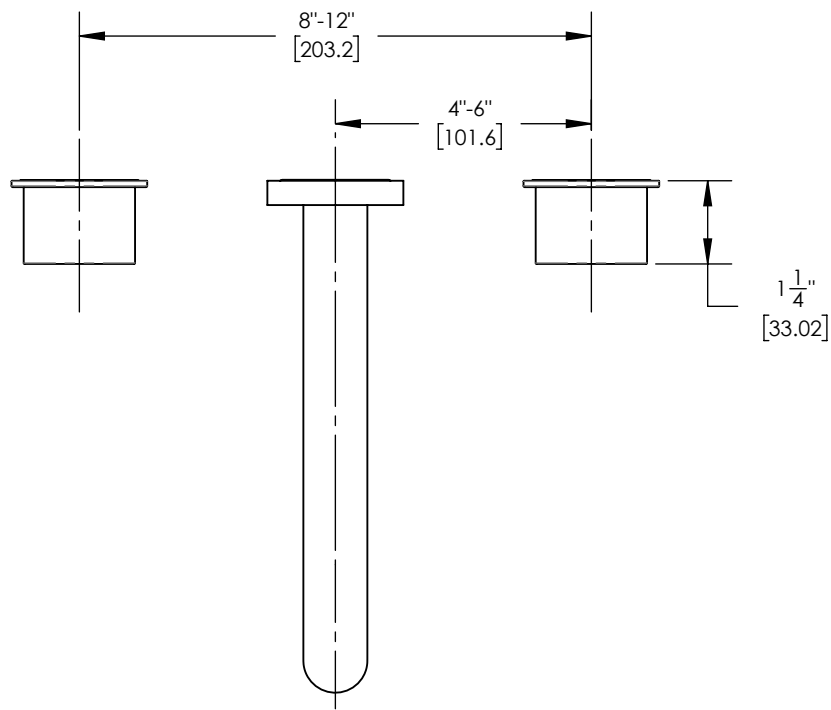
1261 LOGAN AVENUE
 COSTA MESA, CALIFORNIA 92626
 PHONE: 714.361.4800
 FAX: 714.617.3120

PHYLIRICH[®]
 Defining Luxury Since 1959

PROPRIETARY AND CONFIDENTIAL
 THE INFORMATION CONTAINED IN THIS DRAWING IS THE SOLE PROPERTY OF PHYLIRICH. ANY REPRODUCTION IN PART OR AS A WHOLE WITHOUT THE WRITTEN PERMISSION OF PHYLIRICH IS PROHIBITED.
DO NOT SCALE DRAWING

WALL TUB SET, SPOUT 7-1/2" W/ SMOOTH, BASIC II

SIZE A	ASM/PRT NO. 230-57/00	REV B
SCALE: 1:3	WEIGHT: lbs.	SHEET 1 OF 2



1261 LOGAN AVENUE
COSTA MESA, CALIFORNIA 92626
PHONE: 714.361.4800
FAX: 714.617.3120

PHYLIRICH[®]
Defining Luxury Since 1959

PROPRIETARY AND CONFIDENTIAL
THE INFORMATION CONTAINED IN THIS DRAWING IS THE SOLE PROPERTY OF PHYLIRICH. ANY REPRODUCTION IN PART OR AS A WHOLE WITHOUT THE WRITTEN PERMISSION OF PHYLIRICH IS PROHIBITED.
DO NOT SCALE DRAWING

WALL TUB SET, SPOUT 7-1/2" W/ SMOOTH, BASIC II

SIZE A	ASM/PRT NO. 230-57/00	REV B
SCALE: 1:3	WEIGHT: lbs.	SHEET 2 OF 2