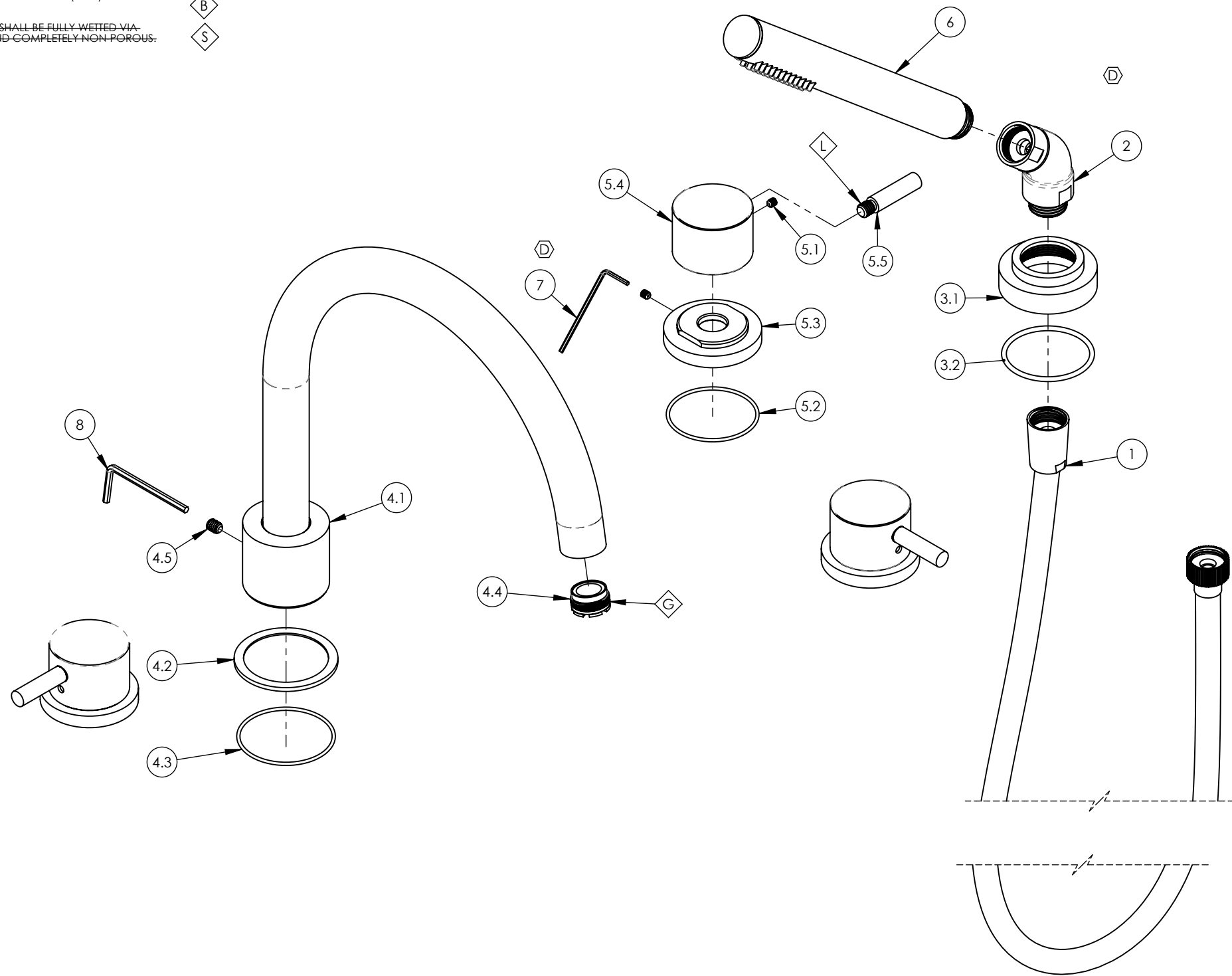


- NOTE(S):  
 1. PART NUMBER, "/00" DENOTES PART SHALL HAVE FINISH.  
 2. APPLY NSF COMPLIANT GREASE TO ANY O-RING, SEALING JOINTS, AND/OR PIVOTAL POINTS. **G**  
 3. APPLY NSF COMPLIANT LOCTITE TO THREADED AREA. **L**  
 4. APPLY NSF COMPLIANT REMOVABLE (BLUE) LOCTITE TO THREADED AREA. **B**  
 5. SILVER SOLDER JOINTS SHALL BE FULLY WETTED VIA CAPILLARY ACTION AND COMPLETELY NON-POROUS. **S**



ITEM NO.	PART NUMBER	DESCRIPTION	QTY.
1	3-049/00	ASSY, HOSE KIT, HANDSHOWER	1
2	3-050/00	ELBOW ASSEMBLY	1
3	3-211/00	ESCUTCHEON BASE, HANDSHOWER, BASIC	1
3.1	P18030/00	ESCUTCHEON BASE, DECK TUB, HANDSHOWER, BASIC	1
3.2	90133	1 3/4" O-RING, 1-13/16 ID X 3/32 THK, AS-568-133	1
4	3-394/00	ASSY, HIGH ARC TUB SPOUT, DECK TUB BASIC II	1
4.1	2-128/00	SUB ASSY, HIGH ARC TUB SPOUT, DECK TUB BASIC II	1
4.2	11186/00	BASE FLANGE, BASIC II	1
4.3	90033	O-RING, 2" ID X 2-1/8" OD X 1/16" THK, AS-568-033	1
4.4	P05024	AERATOR CACHE COIN SLOT, M21.5X1.0 FULL FLOW	1
4.5	92127	SET SCREW, CUP PT, 1/4"-20 X 5/16" L, SS	1
5	3-435/00	ASSEMBLY LEVER HANDLE, DECK TUB, BASIC II	3
5.1	92008	SET SCREW, CUP POINT 8-32, 3/16" L.	2
5.2	90032	O-RING, 1-7/8" ID X 2" OD X 1/16" THK, AS-568-032	1
5.3	11344/00	ESCUTCHEON BASE, DECK TUB HANDLE, BASIC II	1
5.4	11167/00	BASE HANDLE, CONTEMP. BASIC II	1
5.5	11168/00	HANDLE LEVER, CONTEMP. BASIC II	1
6	3-471/00	ASSY, ROUND HANDSHOWER, CONTEMPORARY	1
7	92021	HEX KEY 5/64, FOR 8-32 SET SCREW	1
8	92216	HEX L-KEY 1/8" HEX X 2-5/16" L	1

D6, D4	D	UPDATE HEX KEY, DISSOLVE HAND SHOWER SUBASSY	11/22/2021	AMM
ZONE	REV.	DESCRIPTION	DATE	APPROVED
REVISIONS				

1261 LOGAN AVENUE  
 COSTA MESA, CALIFORNIA 92626  
 PHONE: 714.361.4800  
 FAX: 714.617.3120

**PHYLIRICH**  
 Defining Luxury Since 1959

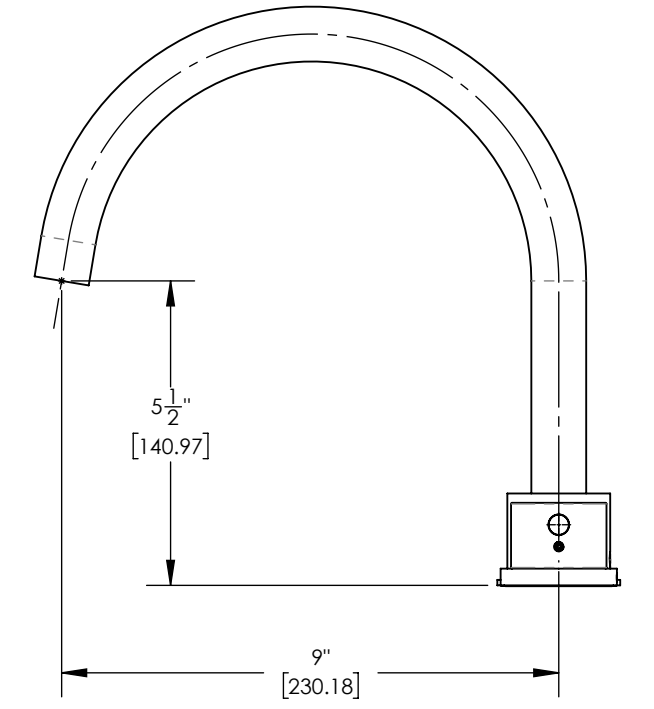
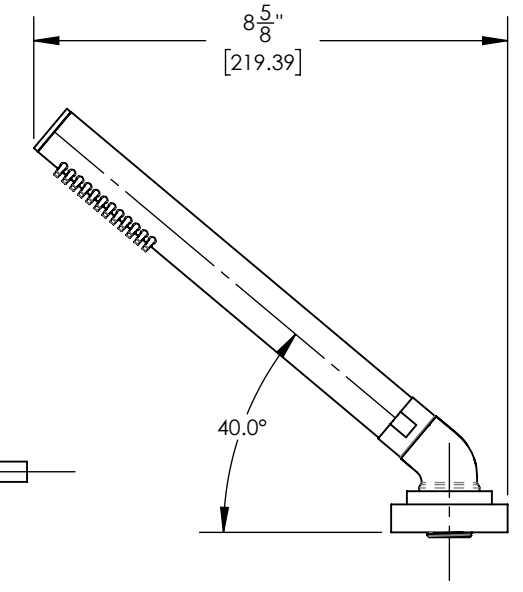
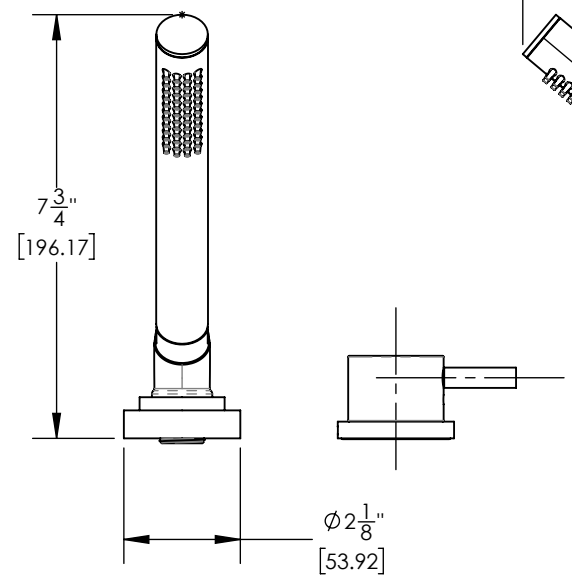
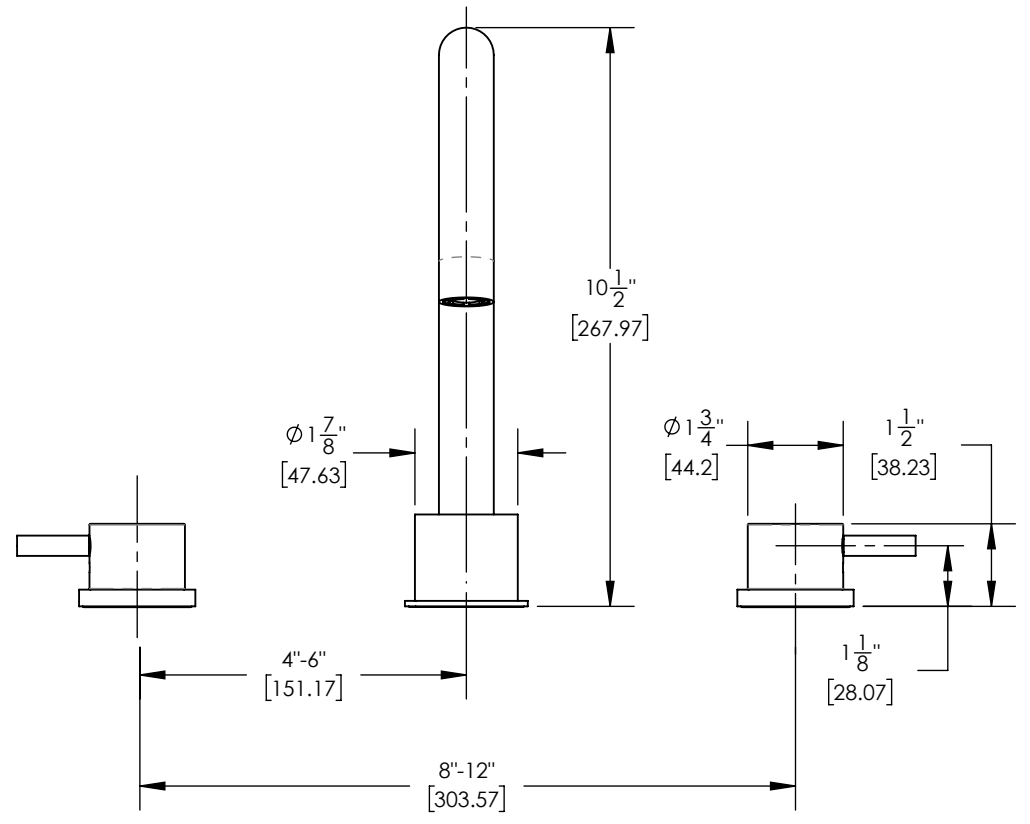
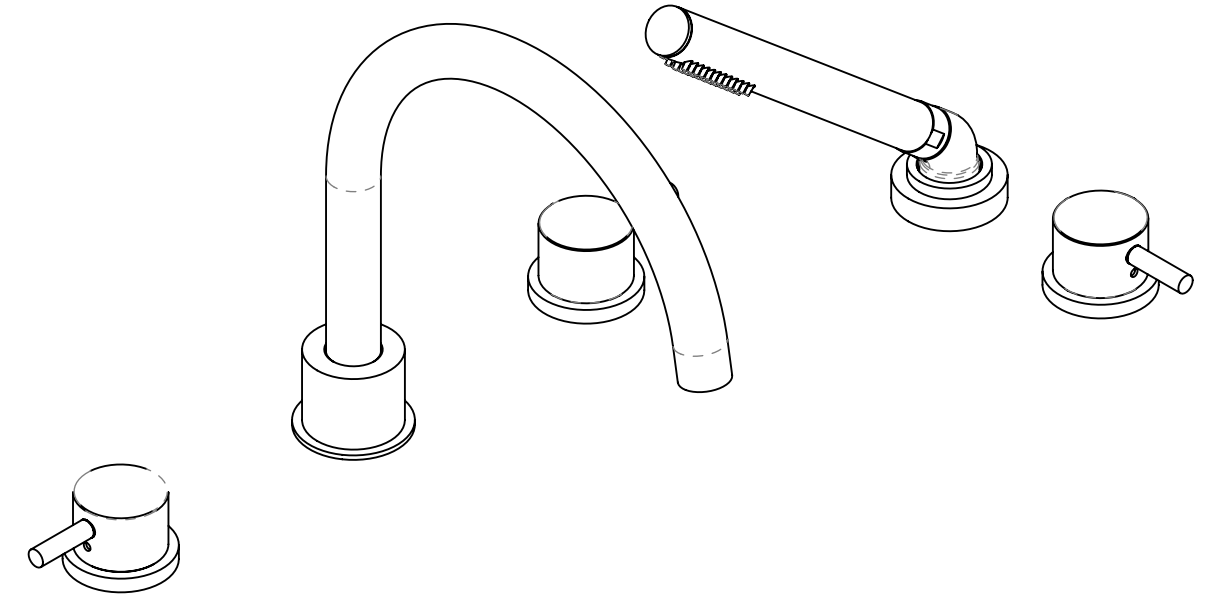
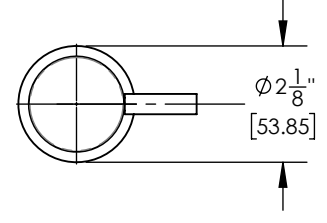
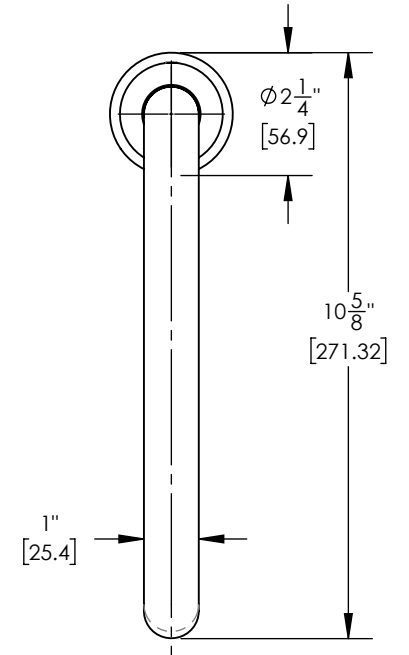
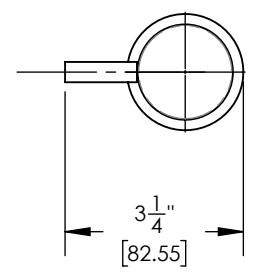
**PROPRIETARY AND CONFIDENTIAL**  
 THE INFORMATION CONTAINED IN THIS DRAWING IS THE SOLE PROPERTY OF PHYLIRICH. ANY REPRODUCTION IN PART OR AS A WHOLE WITHOUT THE WRITTEN PERMISSION OF PHYLIRICH IS PROHIBITED.  
**DO NOT SCALE DRAWING**

**DECK TUB SET WITH HAND SHOWER, LEVER HANDLES, BASIC II**

SIZE <b>B</b>	ASM/PRT NO. <b>230-51/00</b>	REV <b>D</b>
SCALE: 1:2.75	WEIGHT: lbs.	SHEET 1 OF 2

8 7 6 5 4 3 2 1

E D C B A



1261 LOGAN AVENUE  
COSTA MESA, CALIFORNIA 92626  
PHONE: 714.361.4800  
FAX: 714.617.3120

**PHYLIRICH**  
Defining Luxury Since 1959

**PROPRIETARY AND CONFIDENTIAL**  
THE INFORMATION CONTAINED IN THIS DRAWING IS THE SOLE PROPERTY OF PHYLIRICH. ANY REPRODUCTION IN PART OR AS A WHOLE WITHOUT THE WRITTEN PERMISSION OF PHYLIRICH IS PROHIBITED.  
**DO NOT SCALE DRAWING**

**DECK TUB SET WITH HAND SHOWER, LEVER HANDLES, BASIC II**

SIZE <b>B</b>	ASM/PRT NO. 230-51/00	REV D
SCALE: 1:3.5	WEIGHT: lbs.	SHEET 2 OF 2

8 7 6 5 4 3 2 1

A B C D E