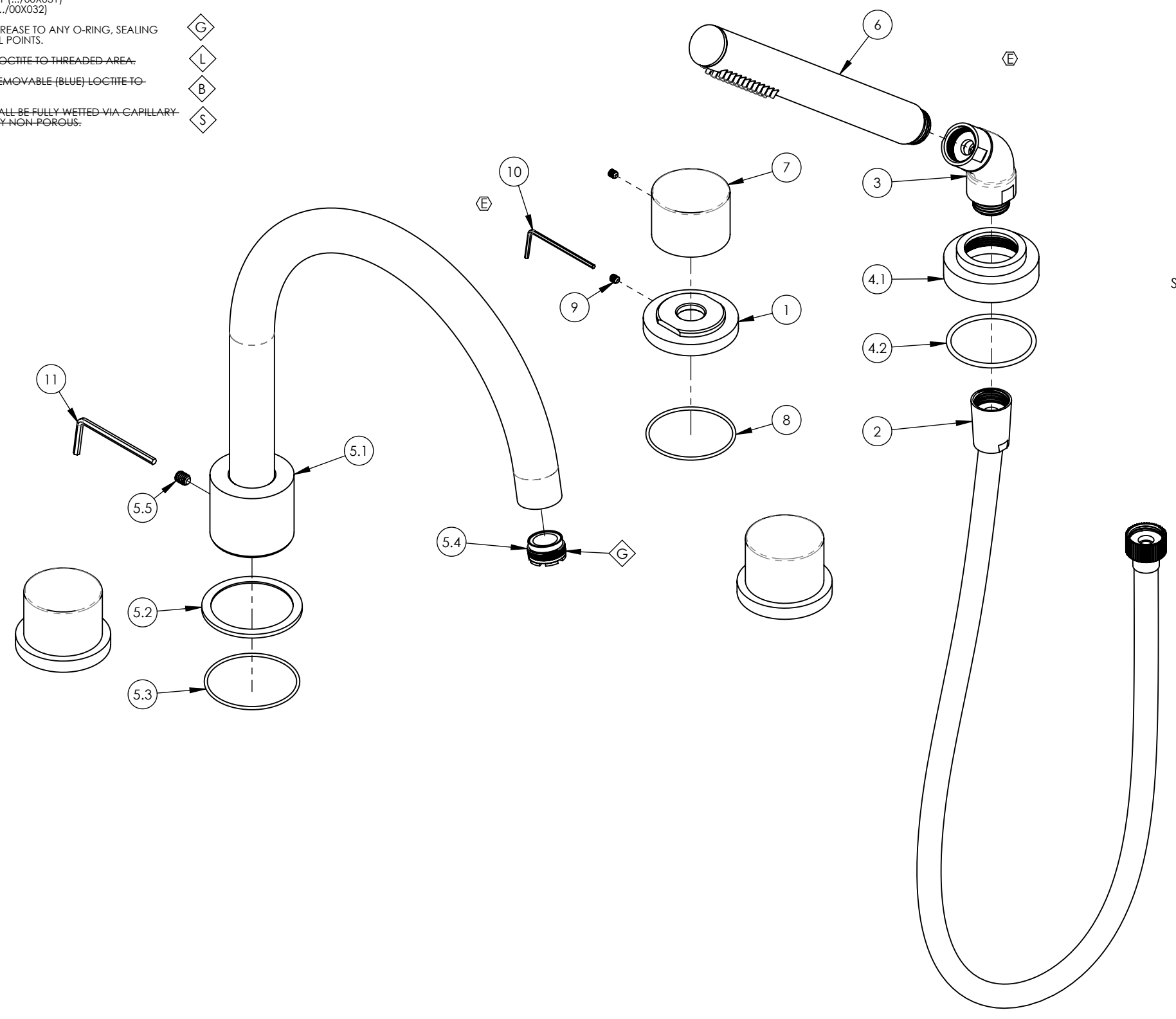


- NOTE(S):
- EXAMPLE OF SPLIT FINISH CODE:  
A. 230-50/026X030
  - MARBLE HANDLE STONE OPTIONS:  
A. BLACK MARBLE = 3-570 (.../00X030)  
B. WHITE MARBLE = 3-571 (.../00X031)  
C. SOAPSTONE = 3-572 (.../00X032)
  - APPLY NSF COMPLIANT GREASE TO ANY O-RING, SEALING JOINTS, AND/OR PIVOTAL POINTS.
  - APPLY NSF COMPLIANT LOCTITE TO THREADED AREA.
  - APPLY NSF COMPLIANT REMOVABLE (BLUE) LOCTITE TO THREADED AREA.
  - SILVER SOLDER JOINTS SHALL BE FULLY WETTED VIA CAPILLARY ACTION AND COMPLETELY NON-POROUS.

- ◇ G
- ◇ L
- ◇ B
- ◇ S



SEE NOTES \*

ITEM NO.	PART NUMBER	DESCRIPTION	QTY.
1	11344/00	ESCUTCHEON BASE, DECK TUB HANDLE, BASIC II	3
2	3-049/00	ASSY, HOSE KIT, HANDSHOWER	1
3	3-050/00	ELBOW ASSEMBLY	1
4	3-211/00	ESCUTCHEON BASE, HANDSHOWER, BASIC	1
4.1	P18030/00	ESCUTCHEON BASE, DECK TUB, HANDSHOWER, BASIC	1
4.2	90133	1 3/4" O-RING, 1-13/16 ID X 3/32 THK, AS-568-133	1
5	3-394/00	ASSY, HIGH ARC TUB SPOUT, DECK TUB BASIC II	1
5.1	2-128/00	SUB ASSY, HIGH ARC TUB SPOUT, DECK TUB BASIC II	1
5.2	11186/00	BASE FLANGE, BASIC II	1
5.3	90033	O-RING, 2" ID X 2-1/8" OD X 1/16" THK, AS-568-033	1
5.4	P05024	AERATOR CACHE COIN SLOT, M21.5X1.0 FULL FLOW	1
5.5	92127	SET SCREW, CUP PT, 1/4"-20 X 5/16" L, SS	1
6	3-471/00	ASSY, ROUND HANDSHOWER, CONTEMPORARY	1
7	3-570	HANDLE, ROUND MARBLE, BLACK (030) ASSY	3
8	90032	O-RING, 1-7/8" ID X 2" OD X 1/16" THK, AS-568-032	3
9	92008	SET SCREW, CUP POINT 8-32, 3/16" L.	3
10	92021	HEX KEY 5/64, FOR 8-32 SET SCREW	1
11	92216	HEX L-KEY 1/8" HEX X 2-5/16" L	1

D5	E	UPDATE HEX KEY, DISSOLVE HAND SHOWER SUBASSY	11/22/2021	AMM
ZONE	REV.	DESCRIPTION	DATE	APPROVED
REVISIONS				

1261 LOGAN AVENUE  
COSTA MESA, CALIFORNIA 92626  
PHONE: 714.361.4800  
FAX: 714.617.3120

**PHYLIRICH**<sup>®</sup>  
Defining Luxury Since 1959

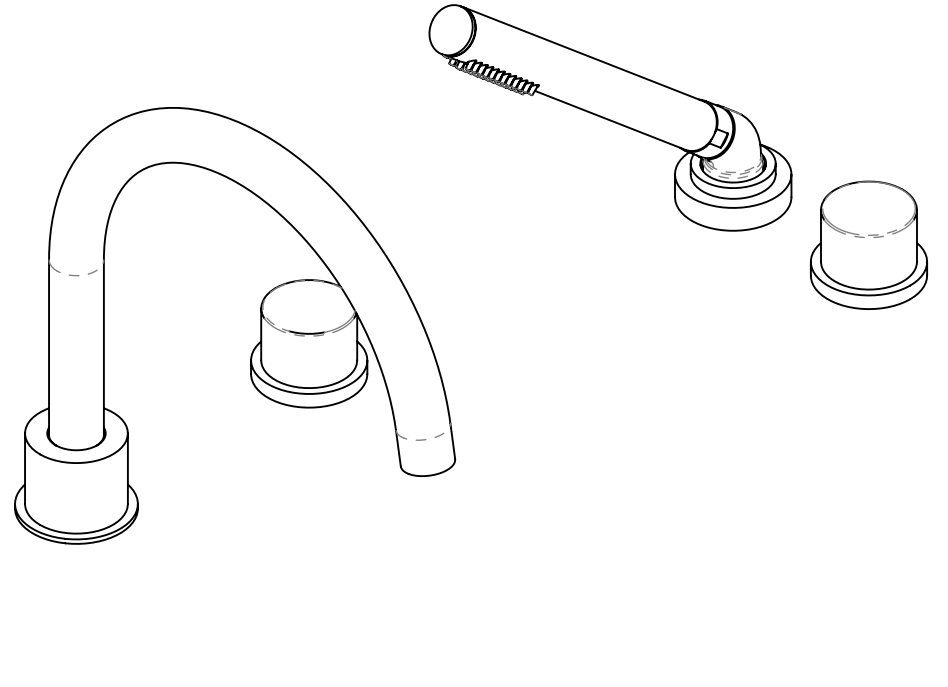
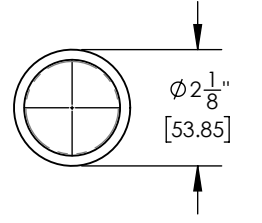
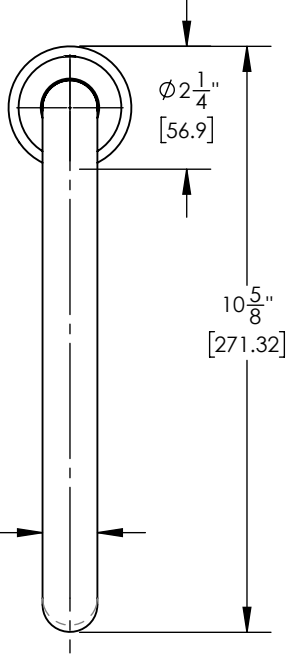
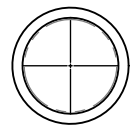
**PROPRIETARY AND CONFIDENTIAL**  
THE INFORMATION CONTAINED IN THIS DRAWING IS THE SOLE PROPERTY OF PHYLIRICH. ANY REPRODUCTION IN PART OR AS A WHOLE WITHOUT THE WRITTEN PERMISSION OF PHYLIRICH IS PROHIBITED.  
**DO NOT SCALE DRAWING**

**DECK TUB SET WITH HAND SHOWER, MARBLE HANDLES, BASIC II**

SIZE	ASM/PRT NO.	REV
<b>B</b>	230-50/00	<b>E</b>
SCALE: 1:2.75	WEIGHT: lbs.	SHEET 1 OF 2

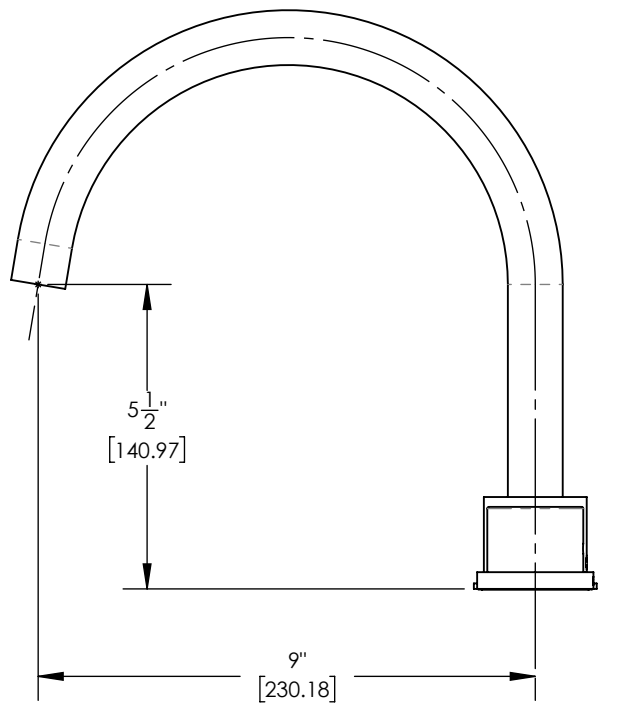
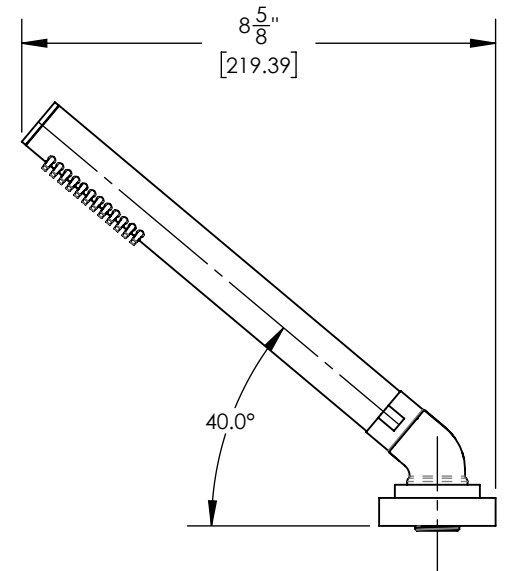
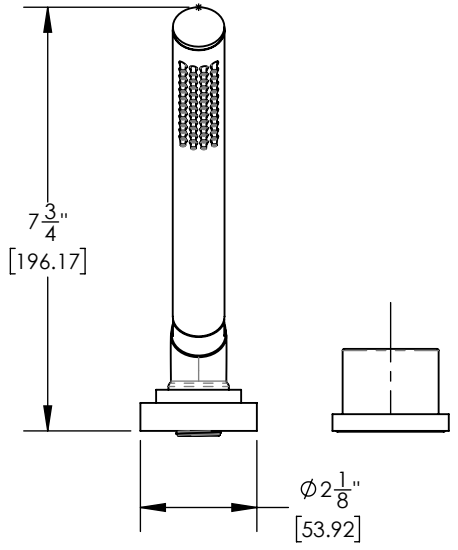
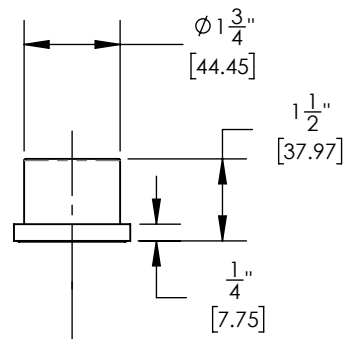
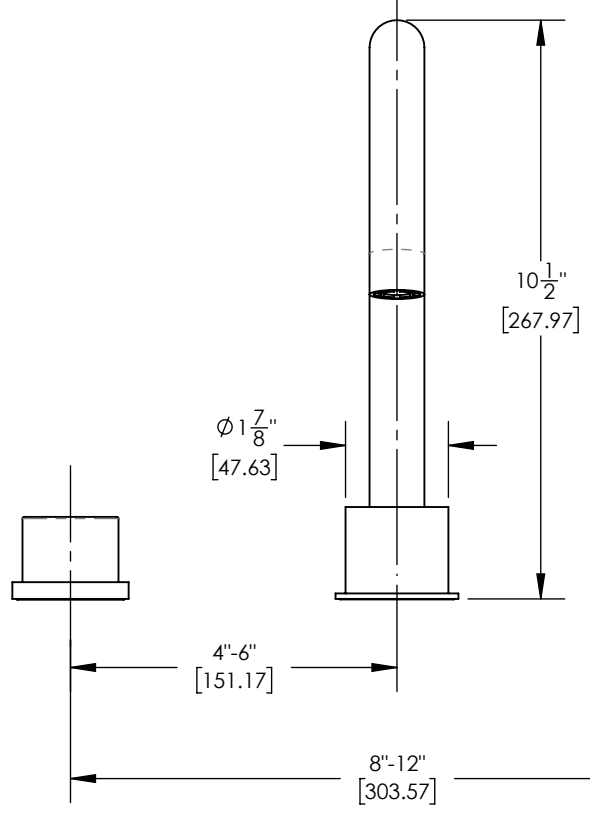
8 7 6 5 4 3 2 1

E



D

C



B

A

8 7 6 5 4 3 2 1

1261 LOGAN AVENUE  
COSTA MESA, CALIFORNIA 92626  
PHONE: 714.361.4800  
FAX: 714.617.3120

**PHYLIRICH**<sup>®</sup>  
Defining Luxury Since 1959

**PROPRIETARY AND CONFIDENTIAL**  
THE INFORMATION CONTAINED IN THIS DRAWING IS THE SOLE PROPERTY OF PHYLIRICH. ANY REPRODUCTION IN PART OR AS A WHOLE WITHOUT THE WRITTEN PERMISSION OF PHYLIRICH IS PROHIBITED.  
**DO NOT SCALE DRAWING**

**DECK TUB SET WITH HAND SHOWER, MARBLE HANDLES, BASIC II**

SIZE	ASM/PRT NO.	REV
<b>B</b>	230-50/00	<b>E</b>
SCALE: 1:3.5	WEIGHT: lbs.	SHEET 2 OF 2