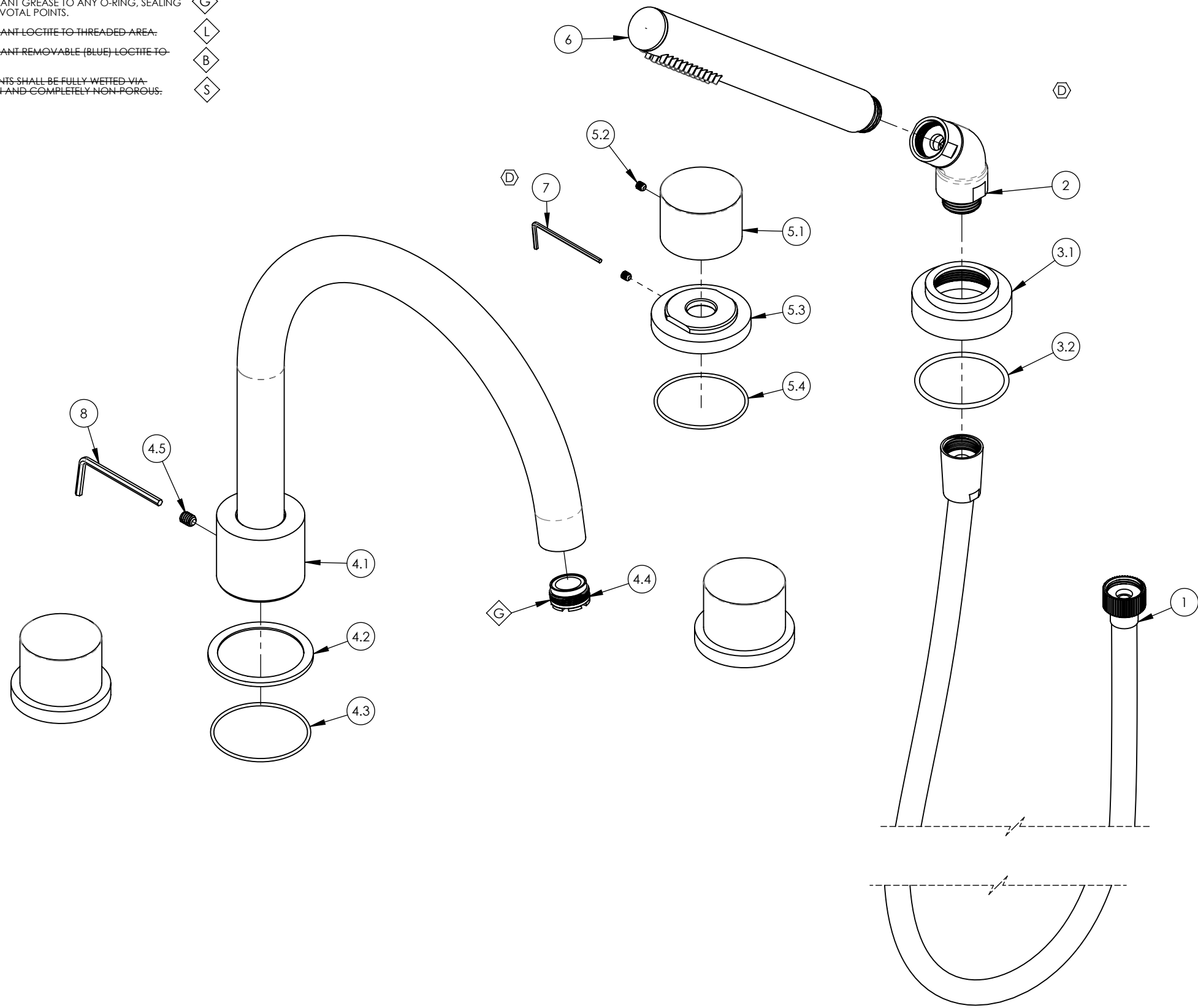


- NOTE(S):
1. PART NUMBER, "/00" DENOTES PART SHALL HAVE FINISH.
  2. APPLY NSF COMPLIANT GREASE TO ANY O-RING, SEALING JOINTS, AND/OR PIVOTAL POINTS.
  3. APPLY NSF COMPLIANT LOCTITE TO THREADED AREA.
  4. APPLY NSF COMPLIANT REMOVABLE (BLUE) LOCTITE TO THREADED AREA.
  5. SILVER SOLDER JOINTS SHALL BE FULLY WETTED VIA CAPILLARY ACTION AND COMPLETELY NON-POROUS.

- 
- 
- 
- 



ITEM NO.	PART NUMBER	DESCRIPTION	QTY.
1	3-049/00	ASSY, HOSE KIT, HANDSHOWER	1
2	3-050/00	ELBOW ASSEMBLY	1
3	3-211/00	ESCUTCHEON BASE, HANDSHOWER, BASIC	1
3.1	P18030/00	ESCUTCHEON BASE, DECK TUB, HANDSHOWER, BASIC	1
3.2	90133	1 13/16" O-RING, 1-13/16ID X 3/32THK, AS-568-133	1
4	3-394/00	ASSY, HIGH ARC TUB SPOUT, DECK TUB BASIC II	1
4.1	2-128/00	SUB ASSY, HIGH ARC TUB SPOUT, DECK TUB BASIC II	1
4.2	11186/00	BASE FLANGE, BASIC II	1
4.3	90033	O-RING, 2"ID X 2-1/8"OD X 1/16"THK, AS-568-033	1
4.4	P05024	AERATOR CACHE COIN SLOT, M21.5X1.0 FULL FLOW	1
4.5	92127	SET SCREW, CUP PT, 1/4"-20 X 5/16"L, SS	1
5	3-434/00	ASSEMBLY SMOOTH HANDLE, DECK TUB, BASIC II	3
5.1	10433/00	BASE HANDLE, CONTEMP. BASIC II	1
5.2	92008	SET SCREW, CUP POINT 8-32, 3/16" L.	2
5.3	11344/00	ESCUTCHEON BASE, DECK TUB HANDLE, BASIC II	1
5.4	90032	O-RING, 1-7/8"ID X 2"OD X 1/16"THK, AS-568-032	1
6	3-471/00	ASSY, ROUND HANDSHOWER, CONTEMPORARY	1
7	92021	HEX KEY 5/64, FOR 8-32 SET SCREW	1
8	92216	HEX L-KEY 1/8" HEX X 2-5/16"L	1

D5, D4	D	UPDATE HEX KEY, DISSOLVE HAND SHOWER SUBASSY	6/1/2021	AMM
ZONE	REV.	DESCRIPTION	DATE	APPROVED
REVISIONS				

1261 LOGAN AVENUE  
COSTA MESA, CALIFORNIA 92626  
PHONE: 714.361.4800  
FAX: 714.617.3120

**PHYLIRICH**<sup>®</sup>  
Defining Luxury Since 1959

**PROPRIETARY AND CONFIDENTIAL**  
THE INFORMATION CONTAINED IN THIS DRAWING IS THE SOLE PROPERTY OF PHYLIRICH. ANY REPRODUCTION IN PART OR AS A WHOLE WITHOUT THE WRITTEN PERMISSION OF PHYLIRICH IS PROHIBITED.  
**DO NOT SCALE DRAWING**

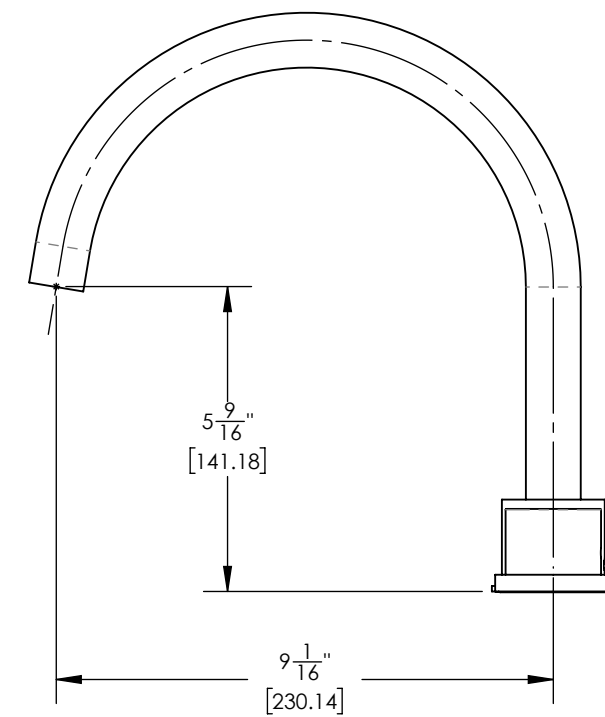
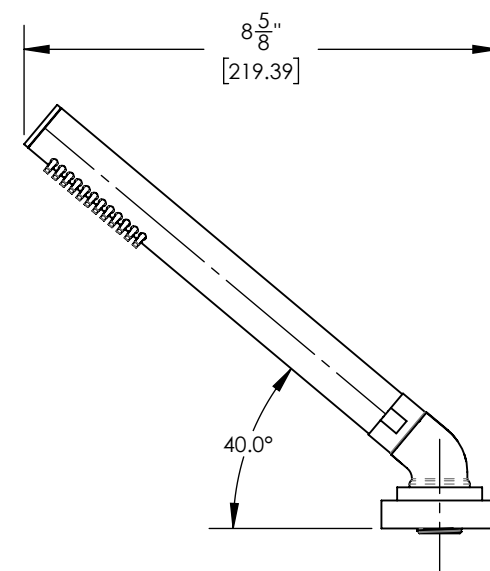
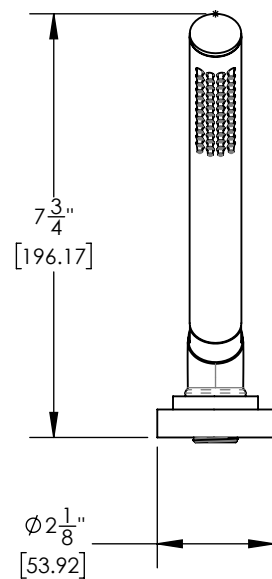
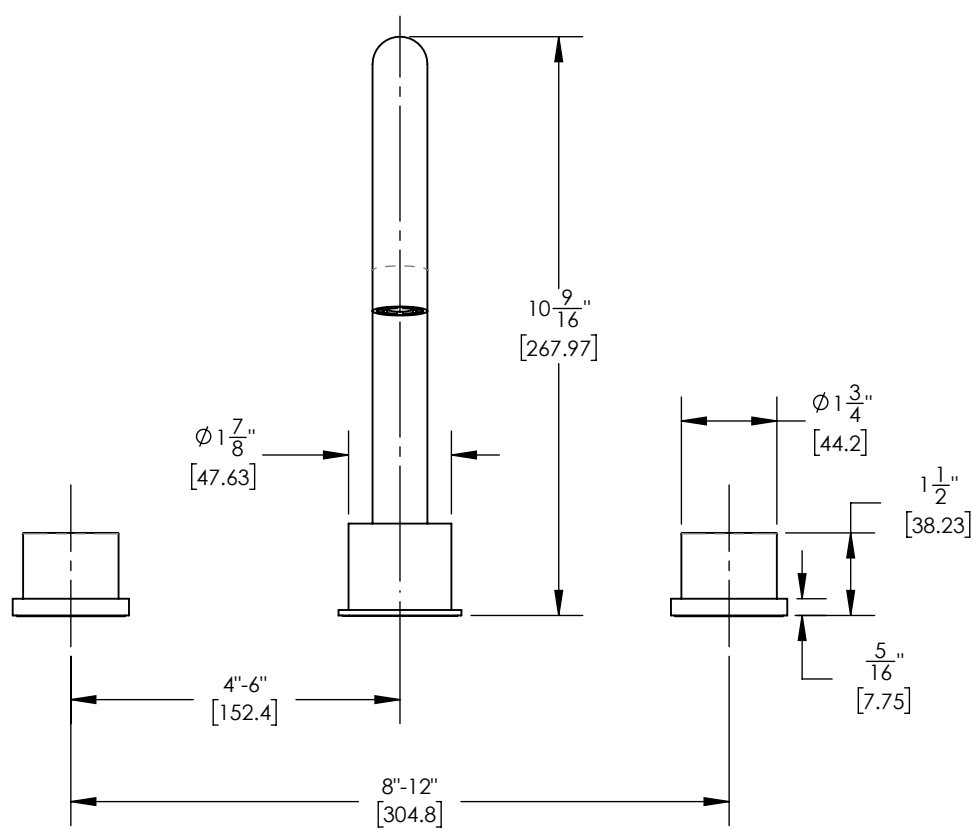
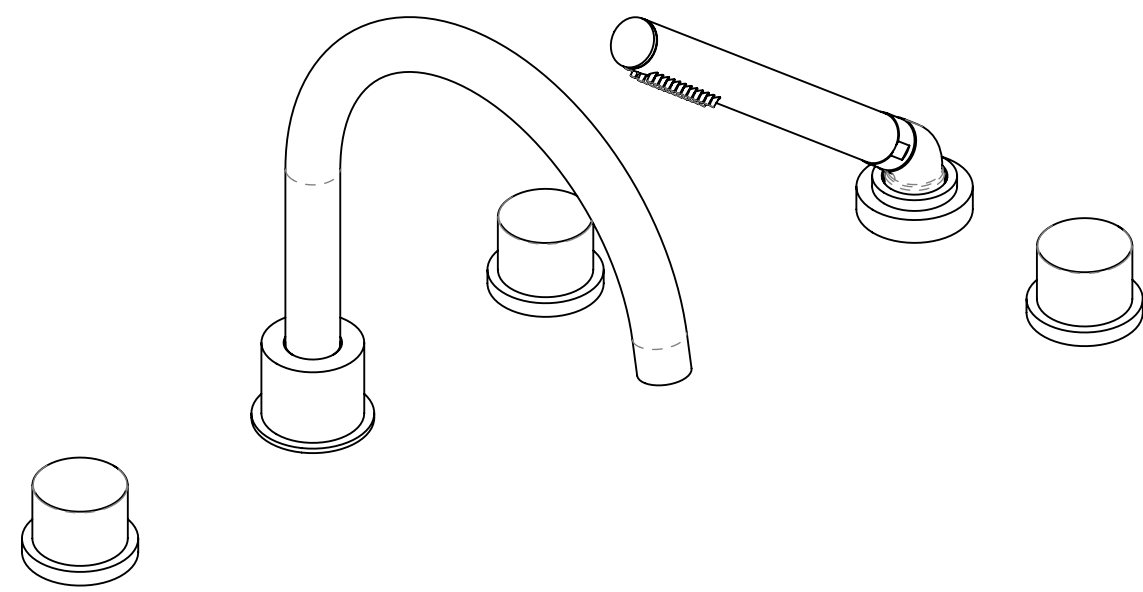
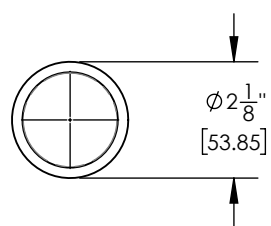
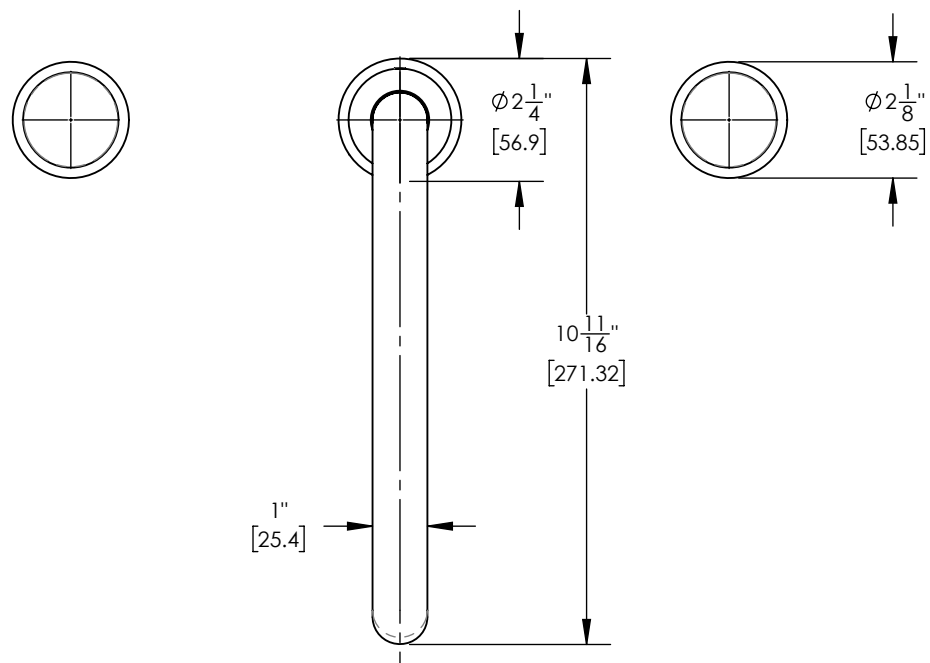
**DECK TUB SET WITH HAND SHOWER, SMOOTH HANDLES, BASIC II**

SIZE <b>B</b>	ASM/PRT NO. <b>230-49/00</b>	REV <b>D</b>
SCALE: 1:2.5	WEIGHT: lbs.	SHEET 1 OF 2

8 7 6 5 4 3 2 1

E  
D  
C  
B  
A

E  
D  
C  
B  
A



1261 LOGAN AVENUE  
COSTA MESA, CALIFORNIA 92626  
PHONE: 714.361.4800  
FAX: 714.617.3120

**PHYLIRICH**<sup>®</sup>  
Defining Luxury Since 1959

**PROPRIETARY AND CONFIDENTIAL**  
THE INFORMATION CONTAINED IN THIS DRAWING IS THE SOLE PROPERTY OF PHYLIRICH. ANY REPRODUCTION IN PART OR AS A WHOLE WITHOUT THE WRITTEN PERMISSION OF PHYLIRICH IS PROHIBITED.  
**DO NOT SCALE DRAWING**

**DECK TUB SET WITH HAND SHOWER,  
SMOOTH HANDLES, BASIC II**

SIZE <b>B</b>	ASM/PRT NO. 230-49/00	REV D
SCALE: 1:3.5	WEIGHT: lbs.	SHEET 2 OF 2

8 7 6 5 4 3 2 1