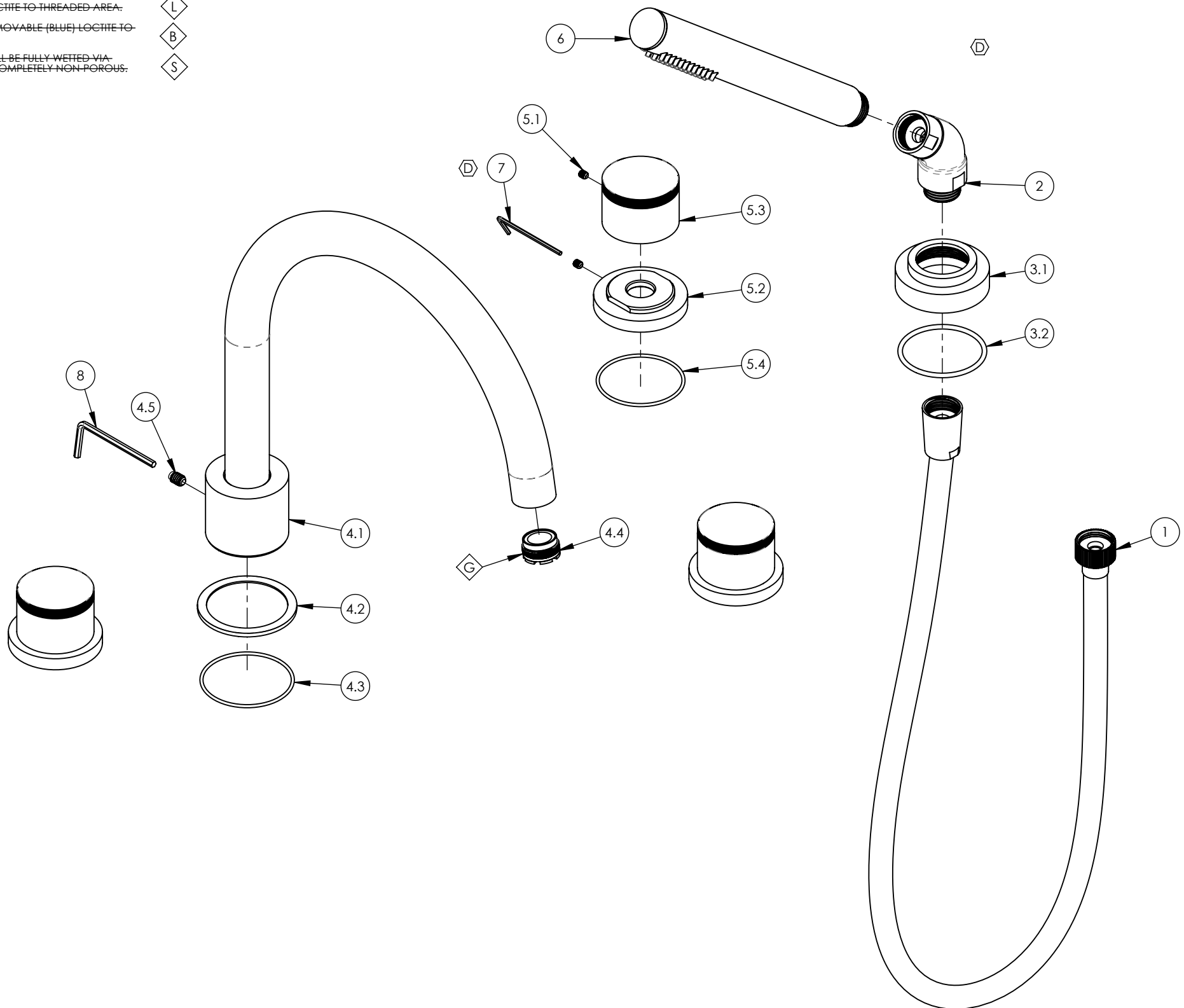


- NOTE(S):
1. PART NUMBER, "/00" DENOTES PART SHALL HAVE FINISH.
 2. APPLY NSF COMPLIANT GREASE TO ANY O-RING, SEALING JOINTS, AND/OR PIVOTAL POINTS.
 3. APPLY NSF COMPLIANT LOCTITE TO THREADED AREA.
 4. APPLY NSF COMPLIANT REMOVABLE (BLUE) LOCTITE TO THREADED AREA.
 5. SILVER SOLDER JOINTS SHALL BE FULLY WETTED VIA CAPILLARY ACTION AND COMPLETELY NON-POROUS.

-
-
-
-



ITEM NO.	PART NUMBER	DESCRIPTION	QTY.
1	3-049/00	ASSY, HOSE KIT, HANDSHOWER	1
2	3-050/00	ELBOW ASSEMBLY	1
3	3-211/00	ESCUTCHEON BASE, HANDSHOWER, BASIC	1
3.1	P18030/00	ESCUTCHEON BASE, DECK TUB, HANDSHOWER, BASIC	1
3.2	90133	1 13/16" O-RING, 1-13/16ID X 3/32THK, AS-568-133	1
4	3-394/00	ASSY, HIGH ARC TUB SPOUT, DECK TUB BASIC II	1
4.1	2-128/00	SUB ASSY, HIGH ARC TUB SPOUT, DECK TUB BASIC II	1
4.2	11184/00	BASE FLANGE, BASIC II	1
4.3	90033	O-RING, 2"ID X 2-1/8"OD X 1/16"THK, AS-568-033	1
4.4	P05024	AERATOR CACHE COIN SLOT, M21.5X1.0 FULL FLOW	1
4.5	92127	SET SCREW, CUP PT, 1/4"-20 X 5/16"L, SS	1
5	3-433/00	ASSEMBLY KNURLED HANDLE, DECK TUB, BASIC II	3
5.1	92008	SET SCREW, CUP POINT 8-32, 3/16" L.	2
5.2	11344/00	ESCUTCHEON BASE, DECK TUB HANDLE, BASIC II	1
5.3	11165/00	BASE HANDLE, CONTEMP. BASIC II	1
5.4	90032	O-RING, 1-7/8"ID X 2"OD X 1/16"THK, AS-568-032	1
6	3-471/00	ASSY, ROUND HANDSHOWER, CONTEMPORARY	1
7	92021	HEX KEY 5/64, FOR 8-32 SET SCREW	1
8	92216	HEX L-KEY 1/8" HEX X 2-5/16"L	1

D6, E4	D	UPDATE HEX KEY, DISSOLVE HAND SHOWER SUBASSY	11/22/2021	AMM
ZONE	REV.	DESCRIPTION	DATE	APPROVED
REVISIONS				

1261 LOGAN AVENUE
COSTA MESA, CALIFORNIA 92626
PHONE: 714.361.4800
FAX: 714.617.3120

PHYLIRICH[®]
Defining Luxury Since 1959

PROPRIETARY AND CONFIDENTIAL
THE INFORMATION CONTAINED IN THIS DRAWING IS THE SOLE PROPERTY OF PHYLIRICH. ANY REPRODUCTION IN PART OR AS A WHOLE WITHOUT THE WRITTEN PERMISSION OF PHYLIRICH IS PROHIBITED.
DO NOT SCALE DRAWING

DECK TUB SET WITH HAND SHOWER, KNURLED HANDLES, BASIC II

SIZE	ASM/PRT NO.	REV
B	230-48/00	D
SCALE: 1:2.75	WEIGHT: lbs.	SHEET 1 OF 2

8

7

6

5

4

3

2

1

E

E

D

D

C

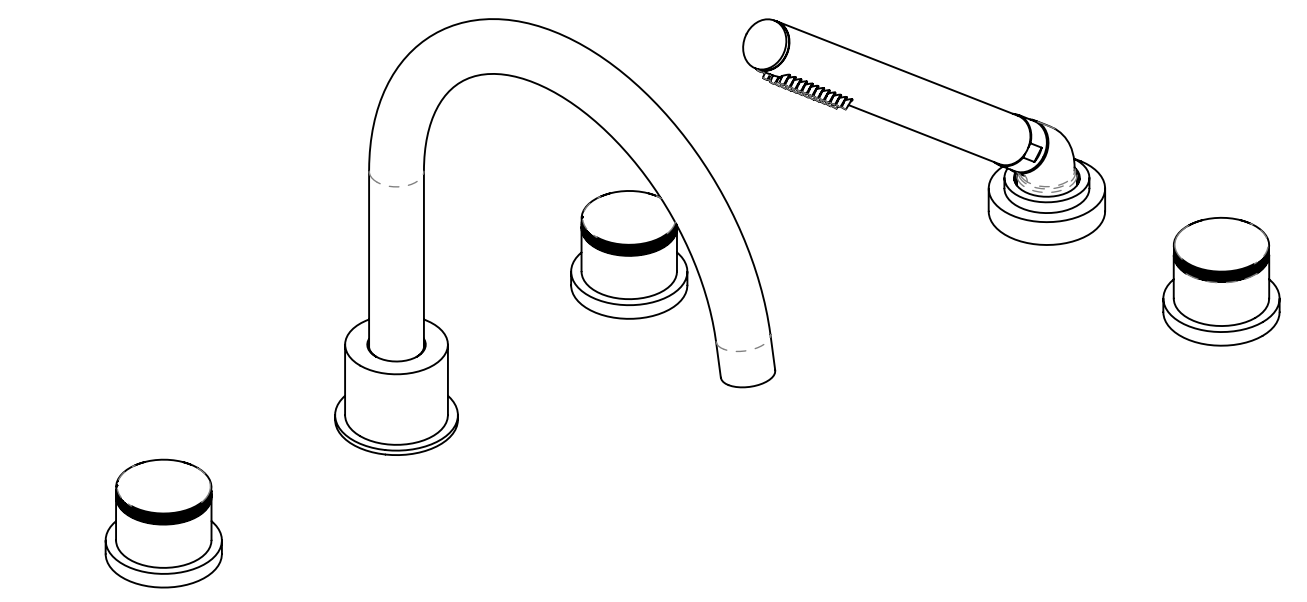
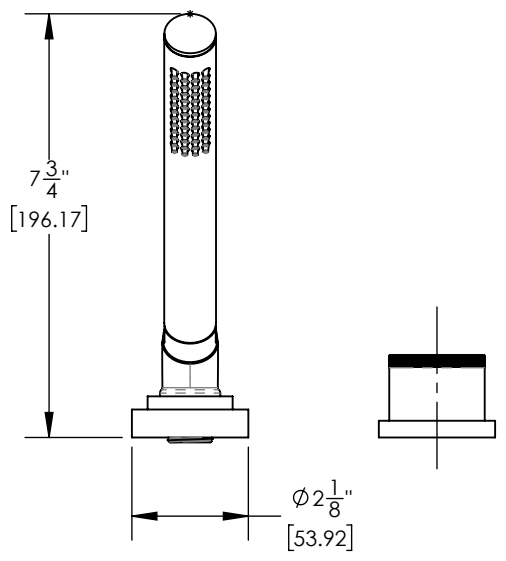
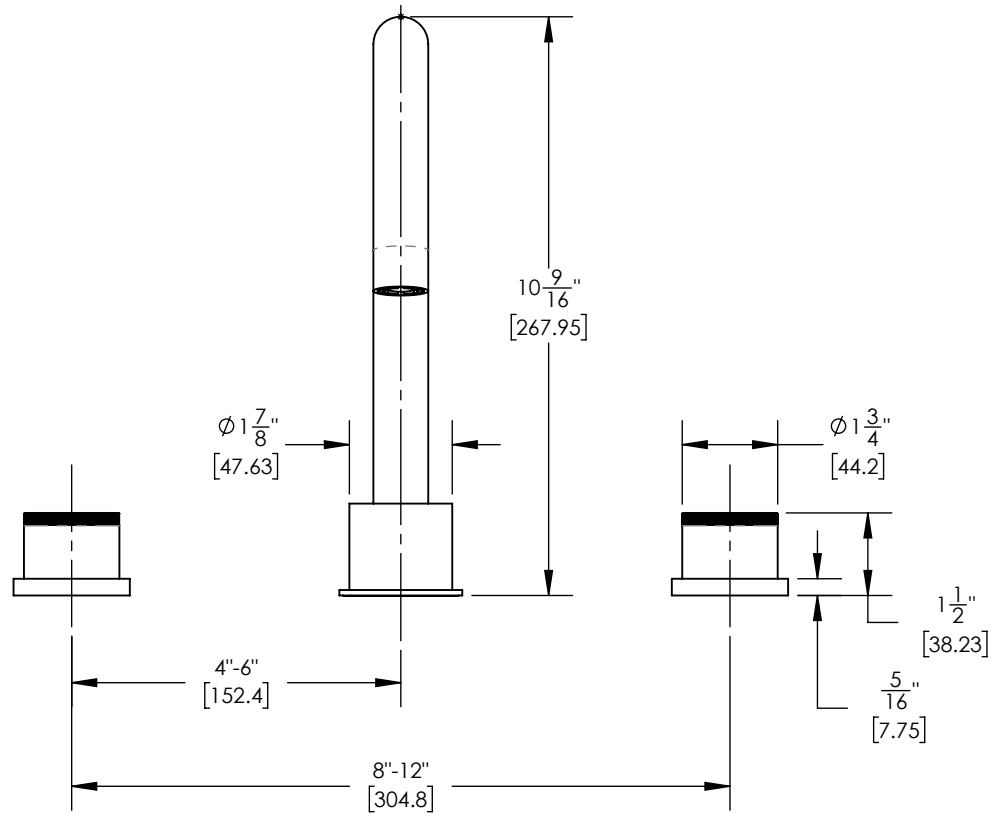
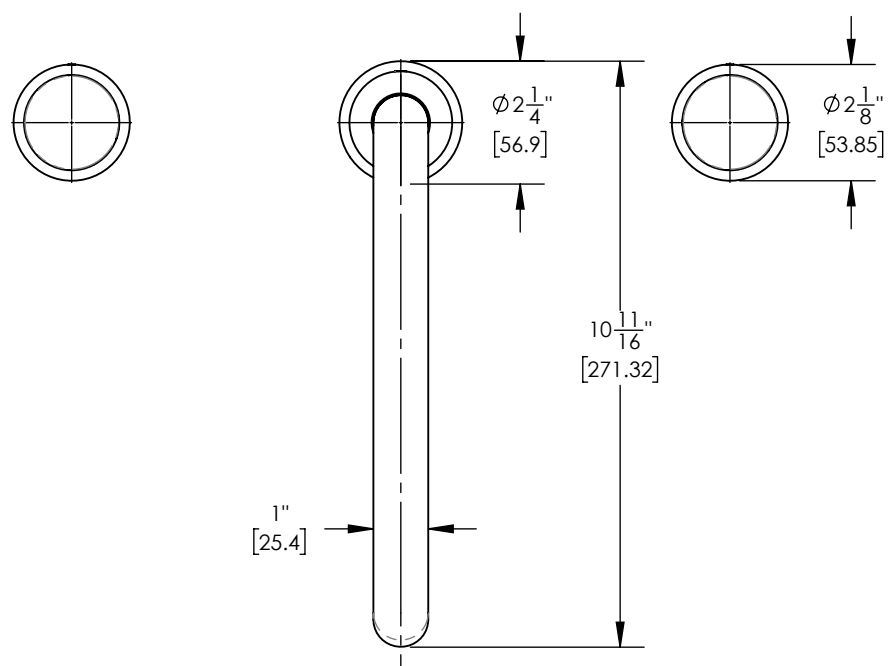
C

B

B

A

A



1261 LOGAN AVENUE
 COSTA MESA, CALIFORNIA 92626
 PHONE: 714.361.4800
 FAX: 714.617.3120

PHYLIRICH[®]
 Defining Luxury Since 1959

PROPRIETARY AND CONFIDENTIAL
 THE INFORMATION CONTAINED IN THIS DRAWING IS THE SOLE PROPERTY OF PHYLIRICH. ANY REPRODUCTION IN PART OR AS A WHOLE WITHOUT THE WRITTEN PERMISSION OF PHYLIRICH IS PROHIBITED.
DO NOT SCALE DRAWING

DECK TUB SET WITH HAND SHOWER, KNURLED HANDLES, BASIC II

SIZE B	ASM/PRT NO. 230-48/00	REV D
SCALE: 1:3.5	WEIGHT: lbs.	SHEET 2 OF 2

8

7

6

5

4

3

2

1