

5

4

3

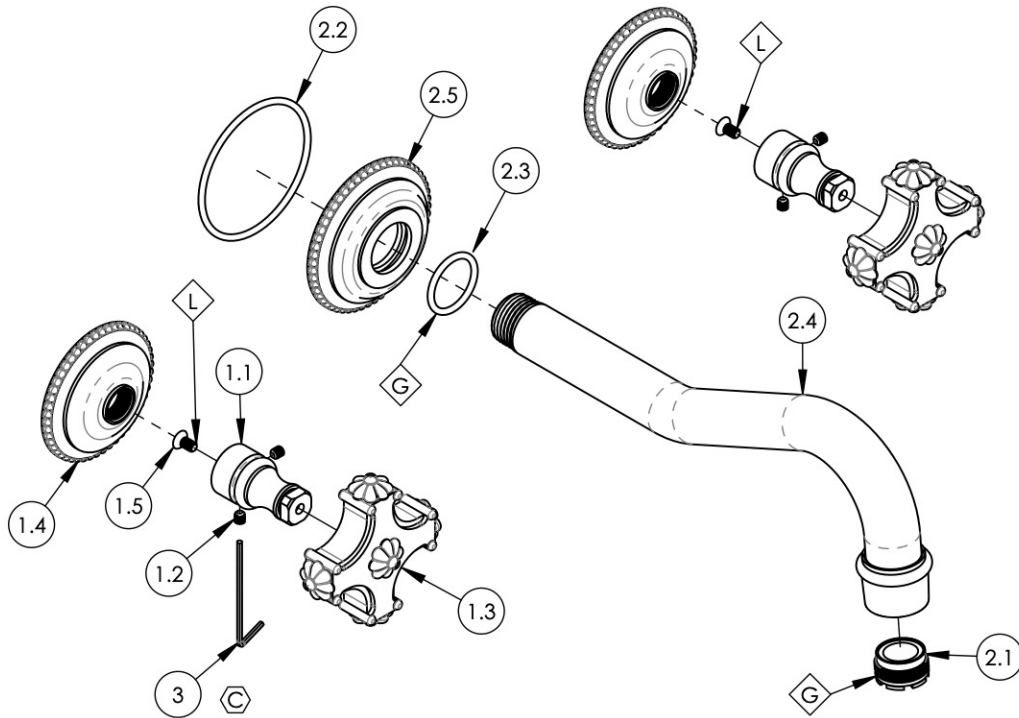
2

1

NOTE(S):

- 1. APPLY NSF COMPLIANT GREASE TO ANY O-RING, SEALING JOINTS, AND/OR PIVOTAL POINTS. ◇ G
- 2. APPLY NSF COMPLIANT LOCTITE TO THREADED AREA. ◇ L

ITEM NO.	PART NO.	DESCRIPTION	QTY.
1	3-029/00	CROSS HANDLE, MARVELLE SERIES	2
1.1	10542/00	BASE HANDLE, CROSS MARVELLE	1
1.2	92008	SET SCREW, CUP POINT 8-32, 3/16" L.	2
1.3	2-114/00	SUB-ASSY. HANDLE CROSS, MARVELLE SERIES	1
1.4	10540/00	ESCUTCHEON, MARVELLE SERIES	1
1.5	92146	SCREW, FLAT HD. 8-32 x 5/16"L	1
2	3-401/00	SUB ASSY. WALL TUB, MARVELLE	1
2.1	P05024	AERATOR CACHE COIN SLOT, M21.5X1.0 FULL FLOW	1
2.2	90140	O-RING, 2-1/4ID X 3/32THK., AS-568-140	1
2.3	90118	O-RING, 7/8"ID X 1-1/16"OD X 3/32"THK, AS-568-118	1
2.4	2-108/00	SUB. ASSY. WALL SPOUT	1
2.5	11313/00	ESCUTCHEON, SPOUT, WALL LAV, MARVELLE	1
3	P39001	HEX KEY 5/64, FOR 8-32 SET SCREW	1



ALL	C	UPDATE TEMPLATE, ADD HEX KEY/ CALL OUTS	7/28/2020	AMM
ZONE	REV.	DESCRIPTION	DATE	APPROVED
REVISIONS				

1261 LOGAN AVENUE  
COSTA MESA, CALIFORNIA 92626  
PHONE: 714.361.4800  
FAX: 714.617.3120

**PHYLIRICH**<sup>®</sup>  
Defining Luxury Since 1959

**PROPRIETARY AND CONFIDENTIAL**  
THE INFORMATION CONTAINED IN THIS DRAWING IS THE SOLE PROPERTY OF PHYLIRICH. ANY REPRODUCTION IN PART OR AS A WHOLE WITHOUT THE WRITTEN PERMISSION OF PHYLIRICH IS PROHIBITED.

NEXT ASSY		USED ON		INTERPRET GEOMETRIC DIMENSIONING & TOLERANCING IN ACCORDANCE WITH ASME Y14.5-2009 & ASME Y14.41-2003 STANDARDS, UNLESS OTHERWISE SPECIFIED. DIMENSIONS ARE IN INCHES. TOLERANCES ARE:		
APPLICATION		FRACTIONS	DECIMALS	ANGULAR		
		±1/16"	X.X: ±.1 X.XX: ±.01 X.XXX: ±.005	±2°		
MATERIAL		NAME	DATE			
FINISH		DRAWN	LLO	10/16/2015		
<b>DO NOT SCALE DRAWING</b>		CHECKED	GRE			

<b>WALL TUB SET, CROSS HANDLES, MARVELLE</b>					
SIZE	ASM/PRT NO.			REV	
<b>A</b>	<b>162-56/00</b>			<b>C</b>	
SCALE: 1:3	WEIGHT: lbs.	SHEET 1 OF 2			

5

4

3

2

1