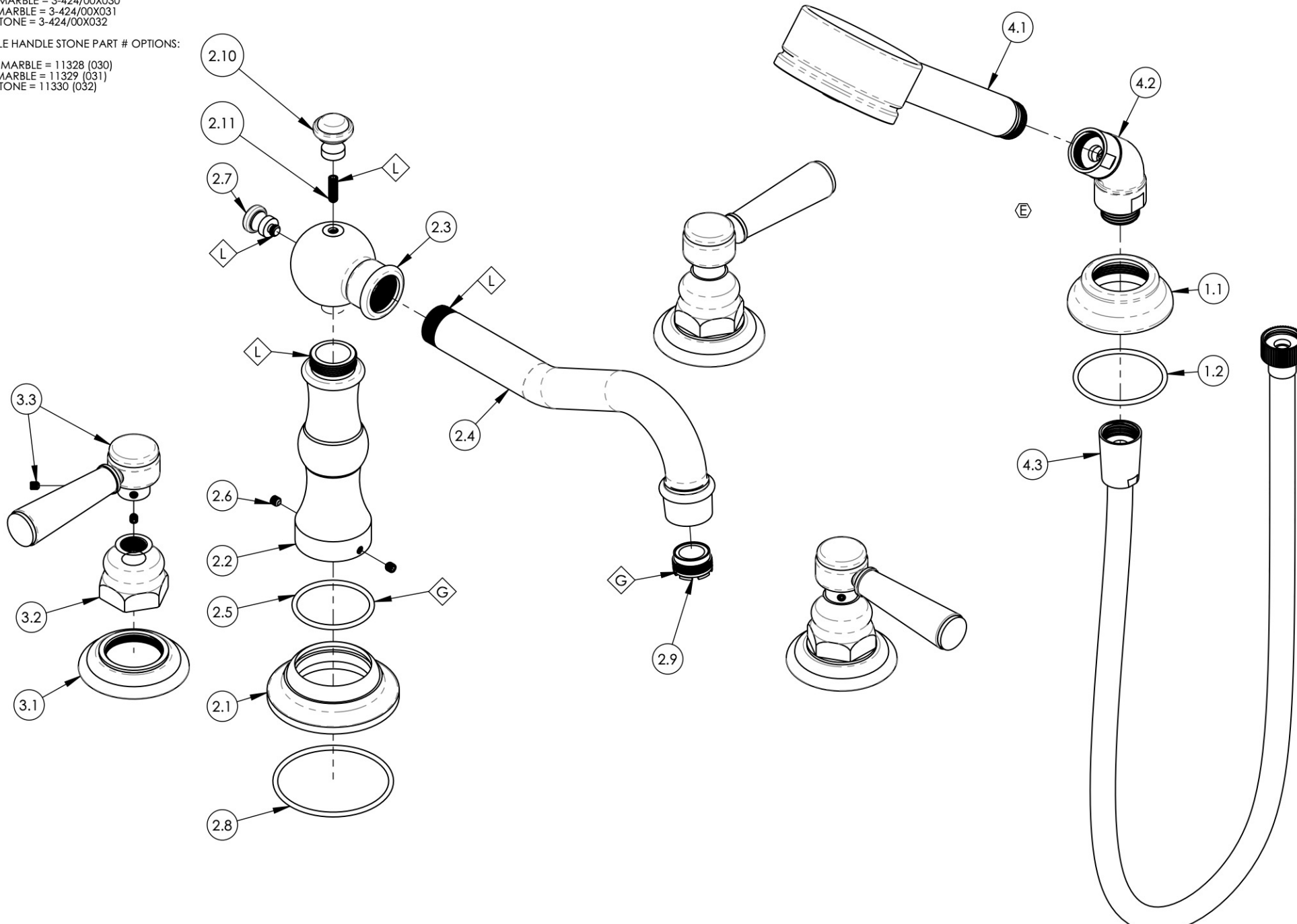


- NOTE(S):
1. APPLY NSF COMPLIANT GREASE TO ANY O-RING, SEALING JOINTS, AND/OR PIVOTAL POINTS. G
 2. APPLY NSF COMPLIANT LOCTITE TO THREADED AREA. L
 3. EXAMPLE OF SPLIT FINISH CODE:
A. 3-424/026X030
 4. SPLIT FINISH CODES:
A. BLACK MARBLE = 3-424/00X030
B. WHITE MARBLE = 3-424/00X031
C. SOAPSTONE = 3-424/00X032
 5. AVAILABLE HANDLE STONE PART # OPTIONS:
A. BLACK MARBLE = 11328 (030)
B. WHITE MARBLE = 11329 (031)
C. SOAPSTONE = 11330 (032)



ITEM NO.	PART NUMBER	DESCRIPTION	QTY.
1	3-210/00	ESCUTCHEON BASE, HANDSHOWER, TRADITIONAL	1
1.1	P18001/00	ESCUTCHEON BASE, DECK TUB, HANDSHOWER, TRADITIONAL	1
1.2	90133	1 3/4" O-RING, 1-13/16 ID X 3/32 THK, AS-568-133	1
2	3-395/00	ASSY. DECK TUB SPOUT, MAISON SERIES	1
2.1	11273/00	ESCUTCHEON, BASE SPOUT RISER	1
2.2	11274/00	SPOUT RISER, DECK TUB	1
2.3	11275/00	BALL TRANSITION, DECK TUB RISER	1
2.4	2-146/00	SUB ASSY. SPOUT BRAZED AERATOR HOUSING	1
2.5	90129	O-RING, 1-9/16 ID X 3/32 THK, AS-568-129	1
2.6	92024	SET SCREW, CUP POINT 10-24 UNC 3/16" LENGTH	2
2.7	11152/00	FINIAL END BACK, TRADITIONAL	1
2.8	90142	O-RING, 2-3/8 ID X 3/32 THK., AS-568-142	1
2.9	P05024	AERATOR CACHE COIN SLOT, M21.5X1.0 FULL FLOW	1
2.10	11153/00	POP-UP KNOB, TRADITIONAL	1
2.11	92152	SET SCREW, CUP PT. 10-24 UNC X 5/8" L	1
3	3-424/00	MARBLE LEVER HANDLE, DECK TUB	3
3.1	10620/00	ESCUTCHEON, TRADITIONAL RT 1-1/4"-20	1
3.2	10621/00	BASE HUB NUT	1
3.3	2-142/00	MARBLE LEVER HANDLE, 500 SERIES, HEX TRADITIONAL	1
4	4-524/00	HAND SHOWER HEAD, ELBOW, HOSE, SINGLE FUNCTION STILO 70	1
4.1	3-066/00	HANDSHOWER, SINGLE FUNCTION STILO 70	1
4.2	3-050/00	ELBOW ASSEMBLY	1
4.3	3-049/00	ASSY, HOSE KIT, HANDSHOWER	1

D4	E	UPDATE HAND SHOWER ASSEMBLY	10/8/2020	AMM
ZONE	REV.	DESCRIPTION	DATE	APPROVED
REVISIONS				
1261 LOGAN AVENUE COSTA MESA, CALIFORNIA 92626 PHONE: 714.361.4800 FAX: 714.617.3120		PHYLIRICH Defining Luxury Since 1959		
PROPRIETARY AND CONFIDENTIAL				
THE INFORMATION CONTAINED IN THIS DRAWING IS THE SOLE PROPERTY OF PHYLIRICH. ANY REPRODUCTION IN PART OR AS A WHOLE WITHOUT THE WRITTEN PERMISSION OF PHYLIRICH IS PROHIBITED.				

NEXT ASSY	USED ON	FRACTIONS ±1/16"	DECIMALS X.X: ±.1 X.XX: ±.01 X.XXX: ±.005	ANGULAR ±2°
APPLICATION				
MATERIAL				
FINISH				
DO NOT SCALE DRAWING				
DRAWN	LLO	DATE	10/29/2015	
CHECKED	GRE			

DECK TUB W/ HANDSHOWER, MARBLE LEVER HANDLES, HENRI SERIES		
SIZE	ASM/PRT NO.	REV
B	161-50/00	E
SCALE: 1:2.75	WEIGHT: lbs.	SHEET 1 OF 2