

INSTALLATION INSTRUCTIONS FOR

DECK TUB VALVE SETS

80001248

DECK TUB VALVE SETS (w/ HANDSHOWER)

80001249

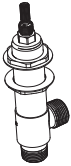
LOW PROFILE INSTALLATION (80001246 & 80001247 at page 3)

PHYLIRICH®

Defining Luxury Since 1959

Preparing for the installation Before you begin inspect box for all its contents.

DECK VALVE
HOT



DECK VALVE
COLD



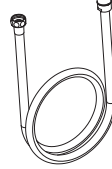
DECK SPOUT



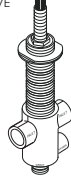
HAND SHOWER
NIPPLE



HOSE



DIVERTER
VALVE



• Included in Deck tub set valve w/ handshower

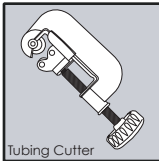
• SEE BACK FOR ROUGH-IN SPECIFICATION

1. All of the valves in this deck tub rough in set are separate. This allows each to be placed for ease of operation & design. Please consult with the home owner or contractor to determine the placement of the valves & tub spout.
- 2.a You will be installing **(DECK TUB SET)** hot & cold valve, a spout nipple w/ an adapter for the spout & tee.
- 2.b **(DECK TUB SET w/ HANDSHOWER)** hot & cold valve, diverter valve, spout nipple w/ an adapter for the spout & nipple for the hand shower.
3. Determine the correct valve rough-in measurement based on the trim product number. Reference the **rough-in specification document** and find the 'A' measurement. (see page 4)
4. The hole size for **Hot & Cold valves is 1 1/2"**.
5. The hole for **spout nipple & hand shower bracket (w/ handshower) : 1 1/4"**
6. All lever handle sets are supplied with 1 hot & 1 cold valve. All valves are marked hot or cold.

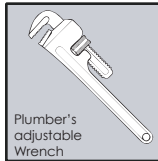
RECOMMENDED TOOLS & MATERIALS Most of the procedures require the use of common tools & materials, which are available from hardware & plumbing supply stores. It is essential that the tools and materials be on hand before work.



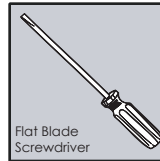
Channel Locks



Tubing Cutter



Plumber's adjustable Wrench



Flat Blade Screwdriver



Teflon Tape

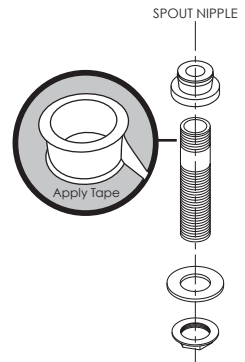
WE RECOMMEND THAT ALL PLUMBING PRODUCTS BE INSTALLED BY LICENSED PROFESSIONAL

■ DECK TUB SETS 80001248

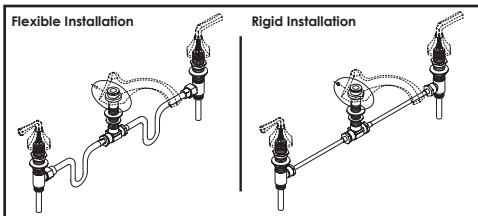
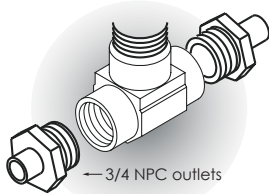
NOTE: Before the set-up, know first the Trim number (**see back**) to adjust the **rough-in measurement**. The stem & nipple may be trimmed to the correct measurement

SEE DIAGRAM AT THE BACK FOR MORE DETAILS

PART 1 (1) Insert the *hot deck valve* (LEFT SIDE); *cold deck valve* (RIGHT SIDE) through the 1 1/2" hole & install the *top-fastening nut*. **(2)** Set the deck valve to proper rough-in height by adjusting the top mounting nut & secure the valve by tightening the bottom valve nut. **(3)** Apply teflon tape or pipe joint compound to the short end of the 3/4" *spout nipple*. Thread short end of the nipple into the quick deck spout adapter. Install the quick connect adapter through the 1 1/4" hole in the deck making sure that the *deck spout adapter* sits flat on the finished deck.



PART 2 Connect the 3/4" NPT outlets from the hot & cold deck valves to the spout tee.



CONTINUE ON TO **TRIM OUT** (part 5) IF YOU ARE ONLY INSTALLING DECK TUB SET

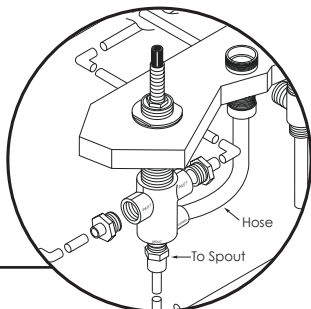
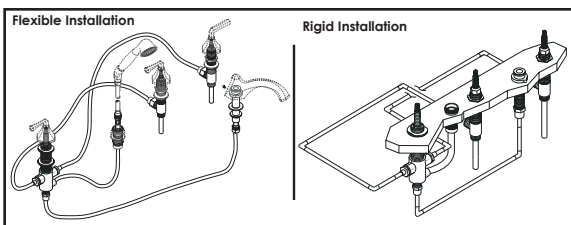
DECK TUB SETS w/ HANDSHOWER 80001249

This part of the instruction will guide you through the installation of the diverter valve & the hand shower

PART 3 Same process will be made on the **Hot & Cold deck valve**, and the **deck Spout**. (SEE PART 1)
(1) Insert the diverter valve through the 1 1/2" hole & install the **top-fastening nut**. **(2)** Install the nipple for the hand shower hose guide through a 1 1/4" hole in the deck. (See page 4 for Rough-in specs)

(Recommended: Handshower hose & Diverter valve to be installed close to each other, to have more hose length.)

PART 4 Connect the 3/4" NPT outlets from the **hot & cold deck valves** to the tee. (see suggested installation for **RIGID** or **FLEX**) & run combined supply to the **INLET port** on the deck diverter valve. Connect the port marked **OUTLET** on the deck diverter to the deck tub spout nipple.



TRIM OUT

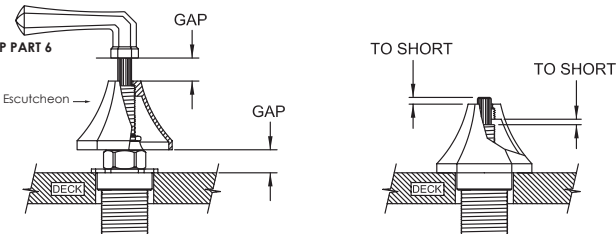
PART 5 (1) Attach the trim components by installing the escutcheons onto the valves. (You may need to trim the nipple & stem) **(2)** If there is a "gap", please trim the nipple to allow the escutcheon to bottom out on the finished deck. Please trim stem so that the handle sits just above the escutcheon. **(3)** Set the deck spout onto the quick connect spout adapter & tighten the set screw at the base of the spout.

IF YOU ARE INSTALLING ONLY THE DECK TUB SET SKIP PART 6

PART 6 INSTALLING THE SHOWER

Insert the black plastic insert & loosely attach trim ring to the hose guide for the hand shower. Attach the finished hand shower hose end with the "O" ring to the hand shower.

Attach the remaining end to the male end of the stainless steel hose & route both hoses through the hose guide. Place the hand shower so that the head will spray into the tub & hand tighten the trim ring on the hose guide.



CONGRATULATIONS You have successfully installed the components of the Deck Tub Set (next page only for low profile installation)

INSTALLATION INSTRUCTIONS FOR

LOW PROFILE DECK TUB VALVE SETS

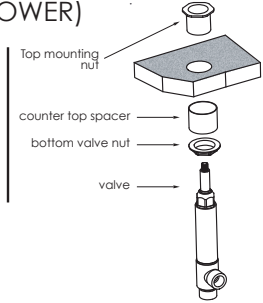
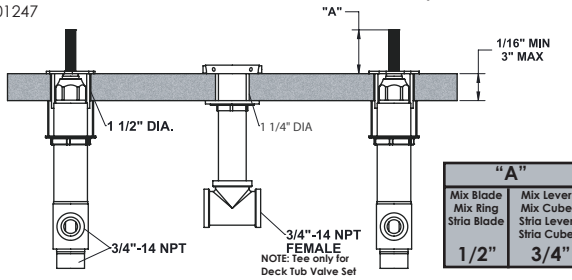
80001246

LOW PROFILE DECK TUB VALVE SETS (w/ HANDSHOWER)

80001247

PHYLIRICH®

Defining Luxury Since 1959



■ VALVE INSTALLATION (See above picture for specs)

Insert the valve from below, through the 1 1/2" hole. Install the *top mounting nut*. Set the deck valve to the proper valve height defined by dimensions "A" by adjusting the *top mounting nut*. Secure the valve to the counter top using the countertop spacer & the bottom valve nut.

■ SPOUT INSTALLATION (See FIG 2 below)

Insert the *spout mount assembly (D)* into the 1 1/4" spout hole. Secure the *mount assembly* in place using the *mount washer (B)* & *bottom mount nut (C)*. Apply teflon tape or pipe thread compound to the bottom of the *spout mount assembly*. Attach the 3/4" tee (*E*).

Install the *spout (F)* by inserting the spout base onto the quick connect. Secure in place with the setscrew. (see FIG 3 below)

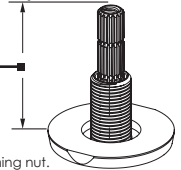
■ HANDLE INSTALLATION (See FIG 4 below)

Attach *handles (H)* to valve stem. Secure with set screws.

■ DIVERTER HANDLE INSTALLATION (See FIG 1 below FOR DECK TUB SET WITH HAND SHOWER)

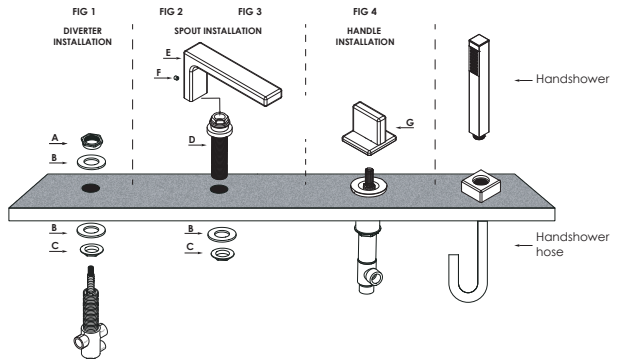
Insert the *diverter handle (D)* onto the *handle escutcheon (E)* & secure in place with screw. Insert the *O-ring (B)* and *decorative cap (A)* into the handle recess.

290-48 MIX BLADE	290-49 MIX LEVER
290-50 MIX RING	290-51 MIX CUBE
291-48 STRIA BLADE	291-49 STRIA LEVER
1-1/4"	1-3/4"



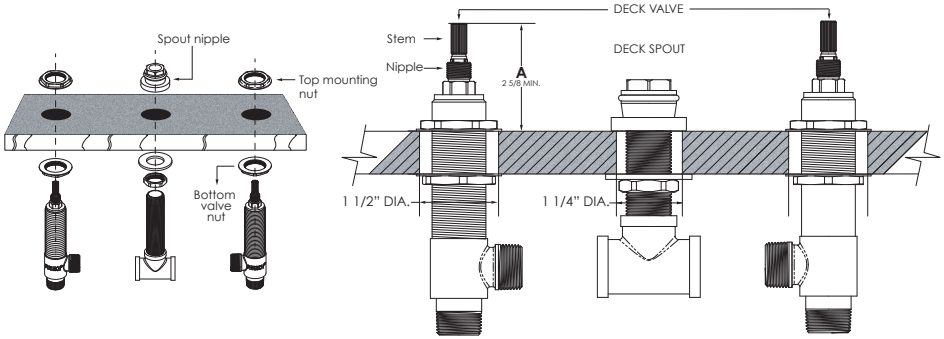
Set valve to proper rough-in height, by tightening the top mounting nut first followed by the bottom fastening nut.

A	Top Fastening Nut
B	Mount Washer
C	Bottom mount nut
D	Quick Connect
E	Spout
F	Screw
G	Handle
H	Wear Washers



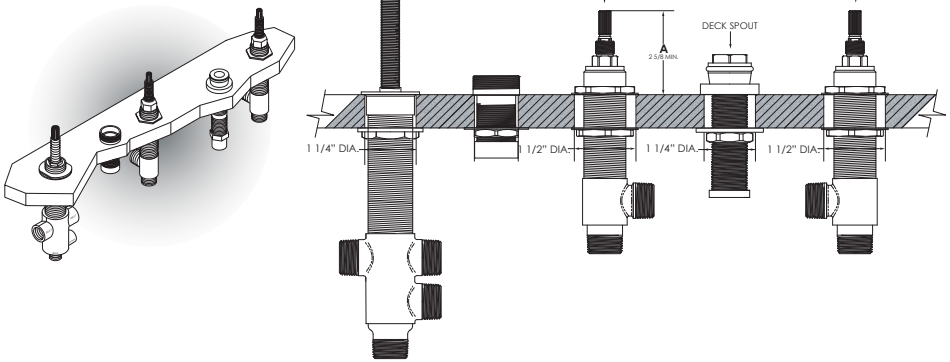
ROUGH IN SPECIFICATION FOR DECK TUB SETS

Valve shown: **80001248**



ROUGH IN SPECIFICATION FOR DECK TUB SETS WITH HANDSHOWER

Valve shown: **80001249**



Rough in specifications for Deck Tub Sets
All Phylrich valve installations must follow the measurement for "A" listed below

PHYLIRICH PROD#	Rough In	PHYLIRICH PROD#	Rough In	PHYLIRICH PROD#	Rough In
K1101M	2 3/8"	K1230P	2 5/8"	K1338FP	2 1/2"
K1123G	2 5/8"	K1231P	2 5/8"	K1361P	2 3/8"
K1137R	2 3/8"	K1234P	2 5/8"	D1130C	2 1/4"
K1137RSF	2 3/8"	K1240P	3"	D1132D	2 1/4"
K1141P	2 3/8"	K1241P	3"	D1134C	2 1/4"
K1144H	2 1/4"	K1242P	3"	D1136D	2 1/4"
K1158AT	2 1/4"	K1243P	3"	D1137C	2 1/4"
K1158BT	2 1/4"	K1244P	3"	D1139D	2 1/4"
K1158CT	2 1/4"	K1270P	3"	D1200T	2 1/4"
K1158DT	2 1/4"	K1271P	3"	D1202T	2 1/4"
K1158FT	2 1/4"	K1272P	3"	D1205E	2 3/4"
K1170V	2 1/2"	K1273P	3"	D1206E	2 3/4"
K1171V	2 1/2"	K1274P	3"	D1211A	2 1/4"
K1180G	3"	K1338AP	2 1/2"		
K1181P	3"	K1338BP	2 1/2"		
K1183G	3"	K1338CP	2 1/2"		
K1184M	3"	K1338DP	2 1/2"		

Please consult the Technical Support for other rough in dimension