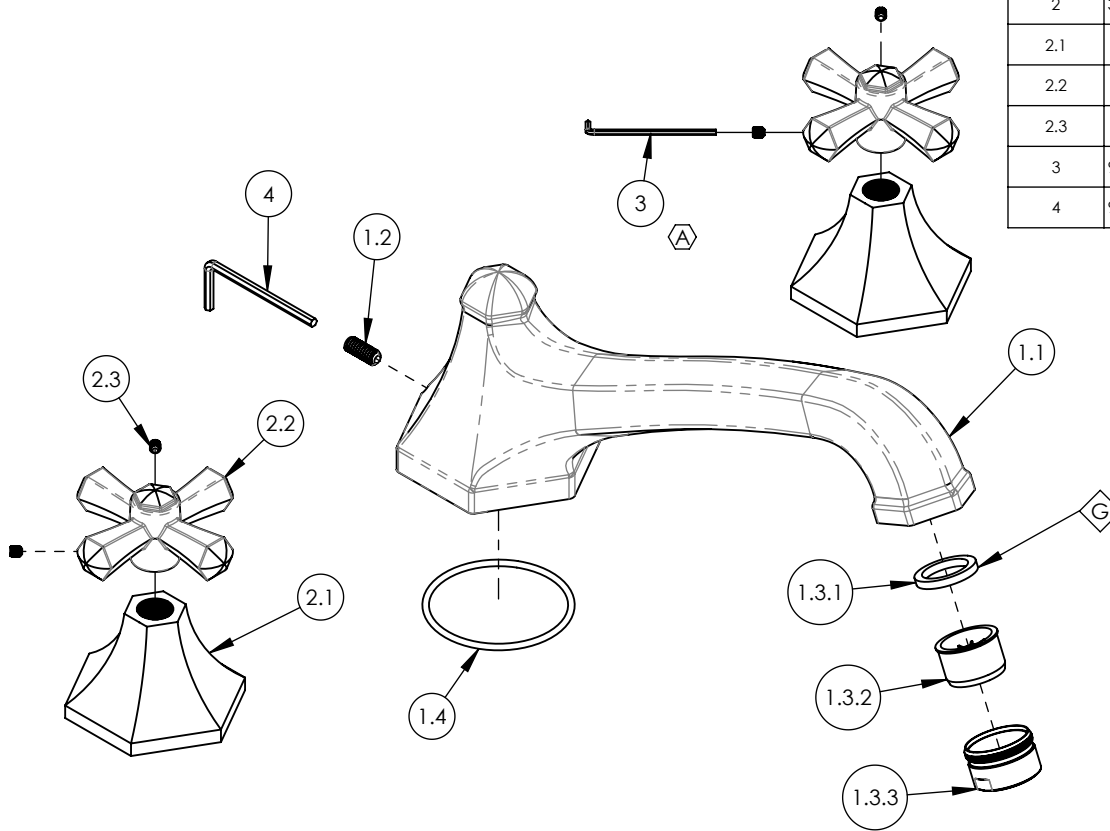


- NOTE(S):
1. PART NUMBER, "/00" DENOTES PART SHALL HAVE FINISH.
  2. APPLY NSF COMPLIANT GREASE TO ANY O-RING, SEALING JOINTS, AND/OR PIVOTAL POINTS.
  3. APPLY NSF COMPLIANT LOCTITE TO THREADED AREA.
  4. APPLY NSF COMPLIANT REMOVABLE (BLUE) LOCTITE TO THREADED AREA.
  5. SILVER SOLDER JOINTS SHALL BE FULLY WETTED VIA CAPILLARY ACTION AND COMPLETELY NON-POROUS.



ITEM NO.	PART NUMBER	DESCRIPTION	QTY.
1	3-144/00	SPOUT, DECK TUB, 500/501 SERIES	1
1.1	P27015	SPOUT, DECK TUB, LE VERRE LA CROSSE	1
1.2	92262	SET SCREW, CUP PT 1/4"-20 X 5/8"L	1
1.3	3-610/00	AERATOR & HOUSING, M28X1, TUB FILLER, FULL FLOW	1
1.3.1	10584	RUBBER SEAL, AERATOR GASKET 1.0"OD X .753"ID X .125"THK	1
1.3.2	10582	AERATOR, NEOSTRAHL. M28, TUB FILLER, FULL FLOW	1
1.3.3	10583/00	AERATOR HOUSING, M28 41.2007.000	1
1.4	90139	O-RING, 2-3/16ID X 3/32THK., AS-568-139	1
2	3-240/00	CROSS HANDLE, LE VERRE & LA CROSSE SERIES	2
2.1	P02020/00	ESCUTCHEON, COVER PLATE K170&K171	1
2.2	P01025/00	HANDLE, CROSS HEX SHAPES FOR K171	1
2.3	92008	SET SCREW, CUP POINT 8-32, 3/16" L.	2
3	92021	HEX KEY 5/64, FOR 8-32 SET SCREW	1
4	92216	HEX L-KEY 1/8" HEX x 2-5/16"L	1



D4	A	UPDATE HE KEY PART #	4/29/2021	AMM
ZONE	REV.	DESCRIPTION	DATE	APPROVED
REVISIONS				

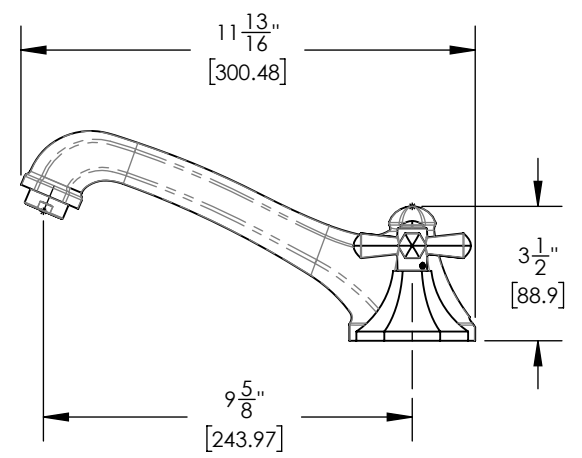
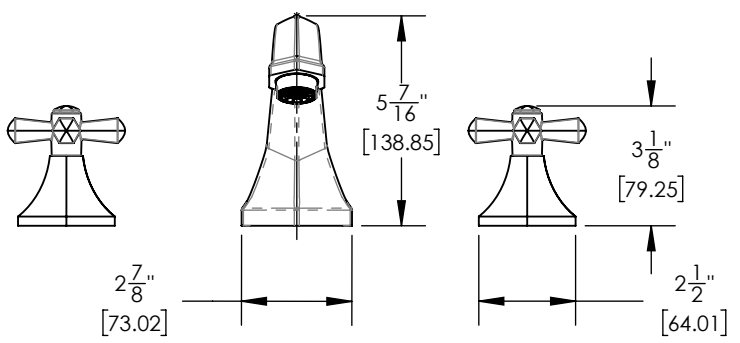
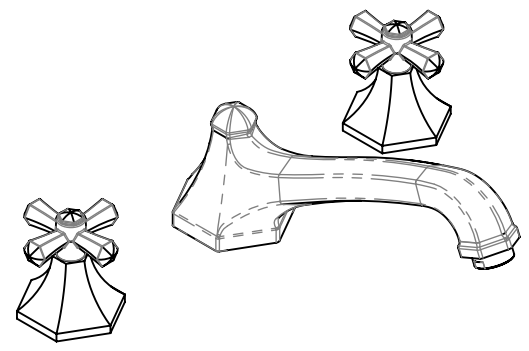
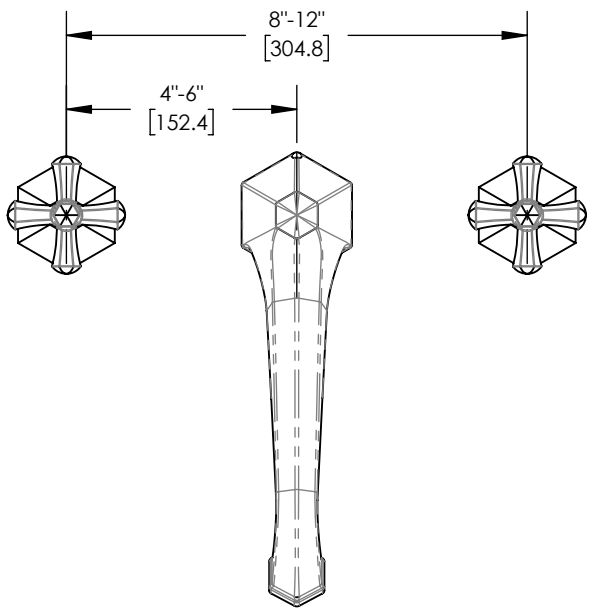
1261 LOGAN AVENUE  
COSTA MESA, CALIFORNIA 92626  
PHONE: 714.361.4800  
FAX: 714.617.3120

**PHYLIRICH**<sup>®</sup>  
Defining Luxury Since 1959

**PROPRIETARY AND CONFIDENTIAL**  
THE INFORMATION CONTAINED IN THIS DRAWING IS THE SOLE PROPERTY OF PHYLIRICH. ANY REPRODUCTION IN PART OR AS A WHOLE WITHOUT THE WRITTEN PERMISSION OF PHYLIRICH IS PROHIBITED.  
**DO NOT SCALE DRAWING**

DECK TUB SET, CROSS HANDLES, LE VERRE & LA CROSSE

SIZE	ASM/PRT NO.	REV
<b>A</b>	K1171V/00	A
SCALE: 1:3	WEIGHT: lbs.	SHEET 1 OF 2



1261 LOGAN AVENUE  
COSTA MESA, CALIFORNIA 92626  
PHONE: 714.361.4800  
FAX: 714.617.3120

**PHYLIRICH**<sup>®</sup>  
Defining Luxury Since 1959

**PROPRIETARY AND CONFIDENTIAL**  
THE INFORMATION CONTAINED IN THIS DRAWING IS THE SOLE PROPERTY OF PHYLIRICH. ANY REPRODUCTION IN PART OR AS A WHOLE WITHOUT THE WRITTEN PERMISSION OF PHYLIRICH IS PROHIBITED.  
**DO NOT SCALE DRAWING**

DECK TUB SET, CROSS HANDLES, LE VERRE & LA CROSSE

SIZE <b>A</b>	ASM/PRT NO. K1171V/00	REV A
SCALE: 1:5	WEIGHT: lbs.	SHEET 2 OF 2