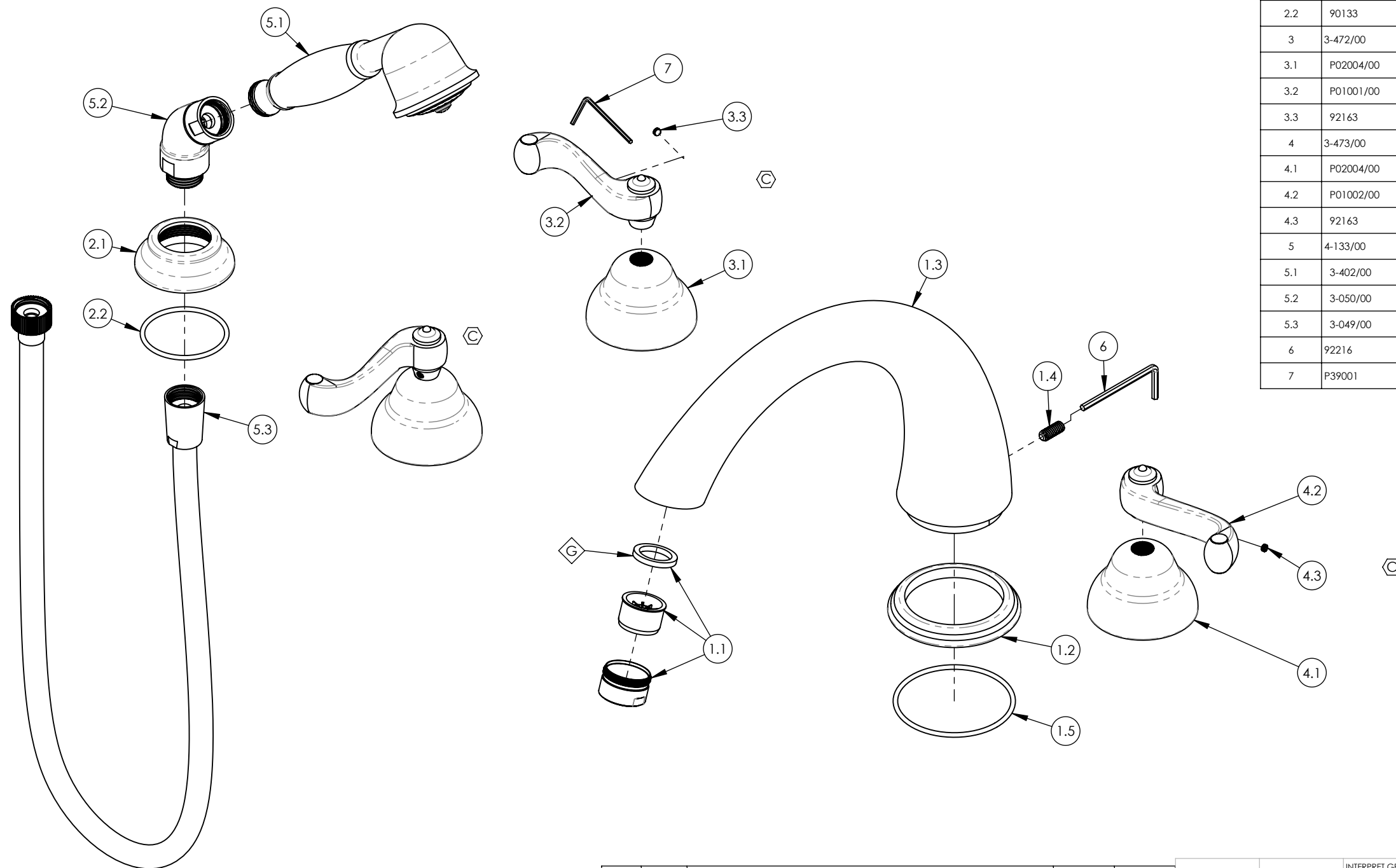


NOTE(S):
 1. APPLY NSF COMPLIANT GREASE TO ANY O-RING, SEALING JOINTS, AND/OR PIVOTAL POINTS.



| ITEM NO. | PART NUMBER | DESCRIPTION | QTY. |
|----------|-------------|---|------|
| 1 | 3-197/00 | DECK TUB SPOUT, P27020 (K5120) CARRARA, REVERE SERIES | 1 |
| 1.1 | 3-610/00 | AERATOR & HOUSING, M28X1, TUB FILLER, FULL FLOW | 1 |
| 1.2 | P27035/00 | ESCUTCHEON BASE, 3RING DECK SPOUT | 1 |
| 1.3 | P27020/00 | K5120 DECK SPOUT | 1 |
| 1.4 | 92262 | SET SCREW, CUP PT 1/4"-20 X 5/8"L | 1 |
| 1.5 | 90145 | O-RING, 2-9/16"ID X 3/32"THK., AS-568-145 | 1 |
| 2 | 3-210/00 | ESCUTCHEON BASE, HANDSHOWER, TRADITIONAL | 1 |
| 2.1 | P18001/00 | ESCUTCHEON BASE, DECK TUB, HANDSHOWER, TRADITIONAL | 1 |
| 2.2 | 90133 | 1 3/4"O-RING, 1-13/16ID X 3/32THK, AS-568-133 | 1 |
| 3 | 3-472/00 | ASSY. LEFT CURVED HANDLE, REVERE & SAVANNAH | 1 |
| 3.1 | P02004/00 | K190X2 COVER PLATE | 1 |
| 3.2 | P01001/00 | HANDLE LEVER, LEFT REVERE & SAVANNAH | 1 |
| 3.3 | 92163 | SET SCREW, CONE PT 8-32 X 1/8"L | 1 |
| 4 | 3-473/00 | ASSY. RIGHT CURVED HANDLE, REVERE & SAVANNAH | 2 |
| 4.1 | P02004/00 | K190X2 COVER PLATE | 1 |
| 4.2 | P01002/00 | HANDLE LEVER, RIGHT REVERE & SAVANNAH | 1 |
| 4.3 | 92163 | SET SCREW, CONE PT 8-32 X 1/8"L | 1 |
| 5 | 4-133/00 | HANDSHOWER W/ ELBOW & HOSE, CARRARA, GEORGETOWN, VERSAILLES | 1 |
| 5.1 | 3-402/00 | HAND SHOWER, HEAD ONLY, BELL SHAPED | 1 |
| 5.2 | 3-050/00 | ELBOW ASSEMBLY | 1 |
| 5.3 | 3-049/00 | ASSY. HOSE KIT, HANDSHOWER | 1 |
| 6 | 92216 | HEX L-KEY 1/8" HEX x 2-5/16"L | 1 |
| 7 | P39001 | HEX KEY 5/64, FOR 8-32 SET SCREW | 1 |

| ZONE | REV. | DESCRIPTION | DATE | APPROVED |
|-----------|------|------------------------|-----------|----------|
| D5, D3 | C | UPDATE HANDLE SUBASSYS | 9/22/2020 | AMM |
| REVISIONS | | | | |

1261 LOGAN AVENUE
 COSTA MESA, CALIFORNIA 92626
 PHONE: 714.361.4800
 FAX: 714.617.3120

PHYLIRICH®

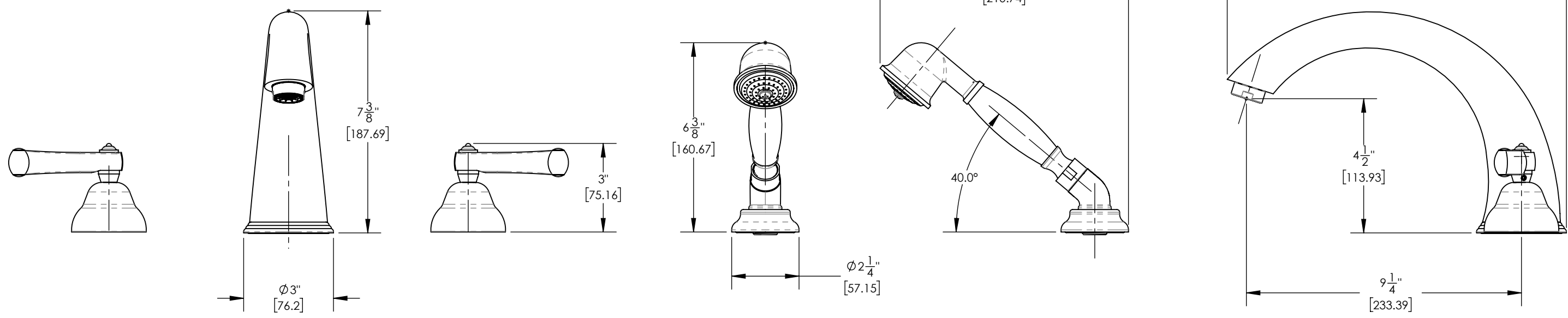
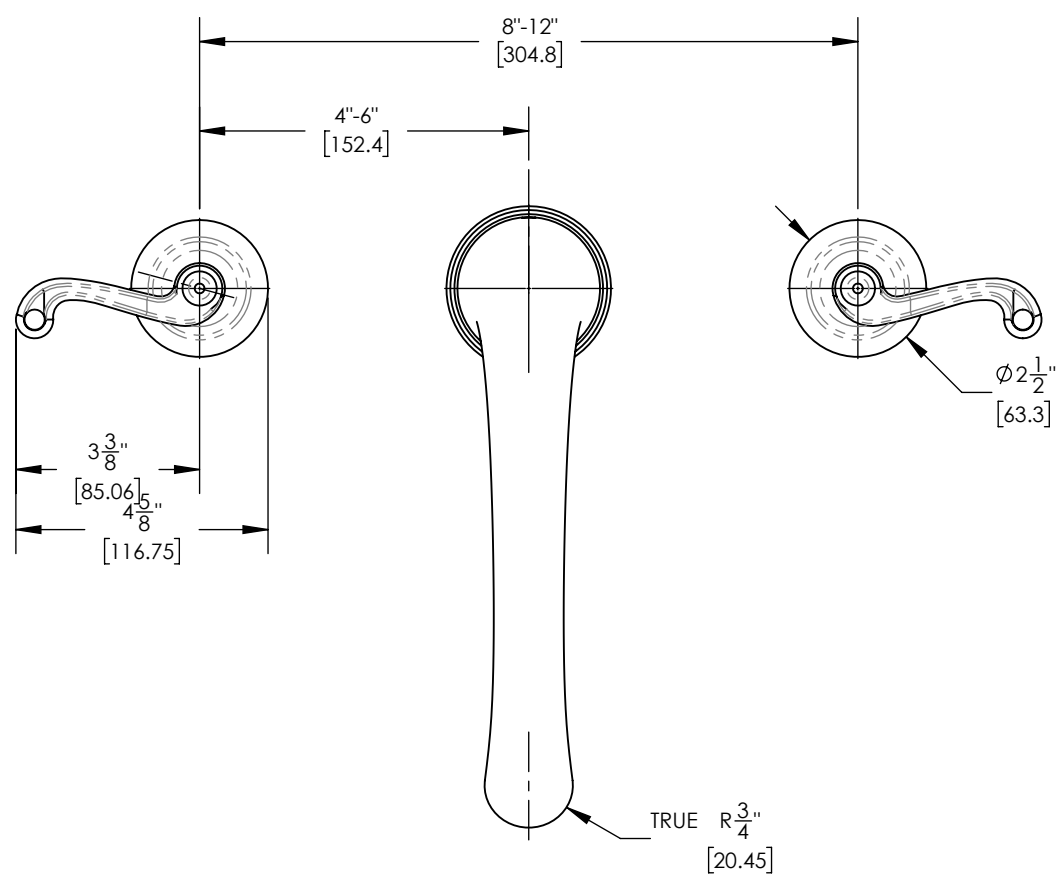
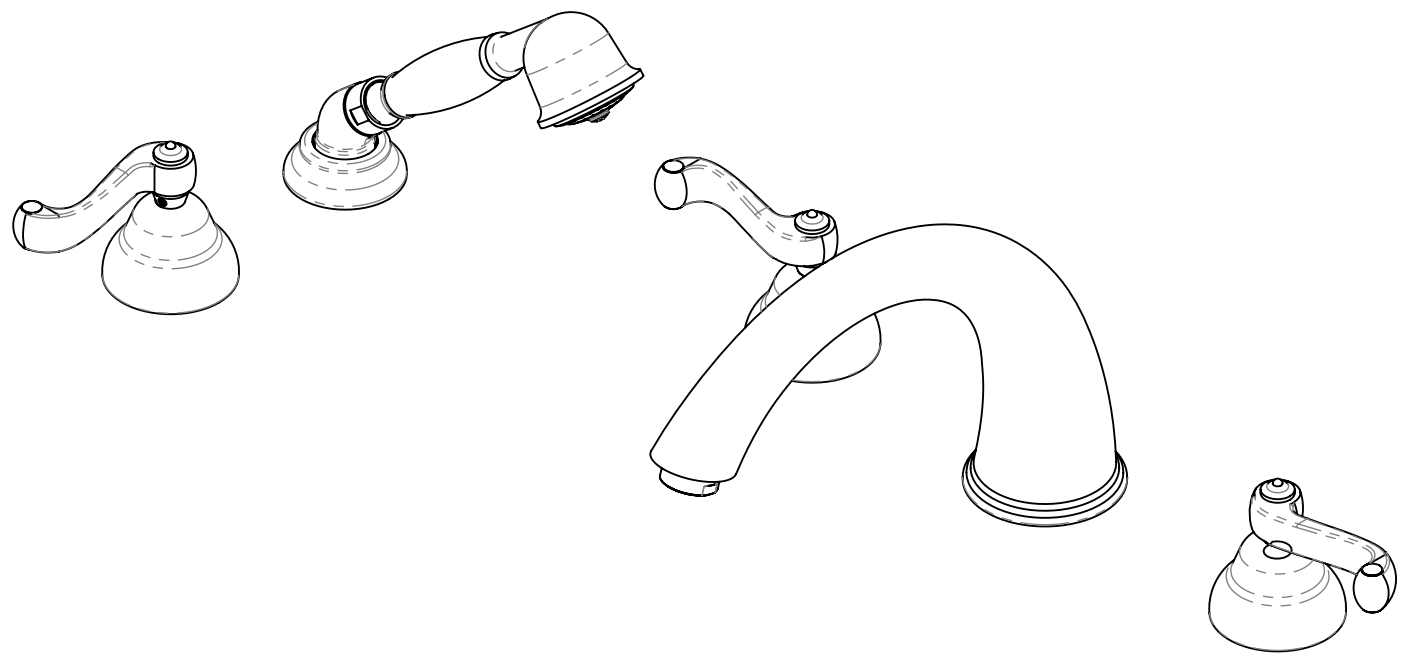
Defining Luxury Since 1959

PROPRIETARY AND CONFIDENTIAL
 THE INFORMATION CONTAINED IN THIS DRAWING IS THE SOLE PROPERTY OF PHYLIRICH. ANY REPRODUCTION IN PART OR AS A WHOLE WITHOUT THE WRITTEN PERMISSION OF PHYLIRICH IS PROHIBITED.

| | | | |
|---|----------------------------|---|-----------------------|
| INTERPRET GEOMETRIC DIMENSIONING & TOLERANCING IN ACCORDANCE WITH ASME Y14.5-2009 & ASME Y14.41-2003 STANDARDS, UNLESS OTHERWISE SPECIFIED, DIMENSIONS ARE IN INCHES. TOLERANCES ARE: | FRACTIONS ±1/16" | DECIMALS X.X: ±.1 X.XX: ±.01 X.XXX: ±.005 | ANGULAR ±2° |
| NEXT ASSY | USED ON | APPLICATION | |
| MATERIAL | FINISH | DRAWN | DATE |
| DO NOT SCALE DRAWING | | CHECKED | |

ROMAN TUB WITH HANDSHOWER, REVERE & SAVANNAH SERIES, CURVED LEVER

| | | |
|---------------|--------------|--------------|
| SIZE | ASM/PRT NO. | REV |
| B | D2202T1/00 | C |
| SCALE: 1:2.75 | WEIGHT: lbs. | SHEET 1 OF 2 |



1261 LOGAN AVENUE
 COSTA MESA, CALIFORNIA 92626
 PHONE: 714.361.4800
 FAX: 714.617.3120

PHYLIRICH[®]
 Defining Luxury Since 1959

PROPRIETARY AND CONFIDENTIAL
 THE INFORMATION CONTAINED IN THIS DRAWING IS THE SOLE PROPERTY OF PHYLIRICH. ANY REPRODUCTION IN PART OR AS A WHOLE WITHOUT THE WRITTEN PERMISSION OF PHYLIRICH IS PROHIBITED.
DO NOT SCALE DRAWING

ROMAN TUB WITH HANDSHOWER, REVERE & SAVANNAH SERIES, CURVED LEVER

| | | |
|------------------|---------------------------|--------------|
| SIZE B | ASM/PRT NO. D2202T1/00 | REV C |
| SCALE: 1:3.5 | WEIGHT: lbs. | SHEET 2 OF 2 |