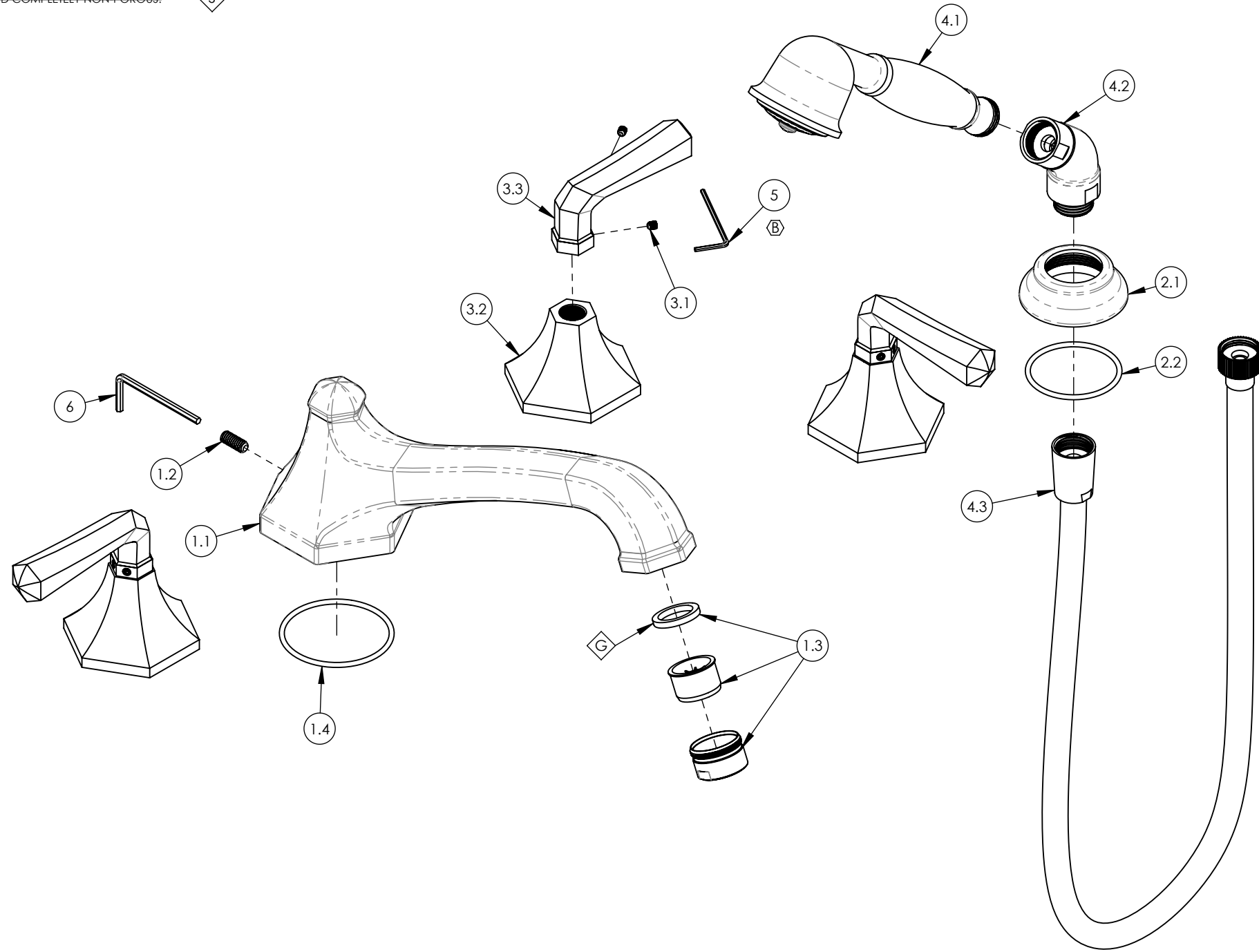


- NOTE(S):
 1. PART NUMBER, "/00" DENOTES PART SHALL HAVE FINISH.
 2. APPLY NSF COMPLIANT GREASE TO ANY O-RING, SEALING JOINTS, AND/OR PIVOTAL POINTS.
 3. APPLY NSF COMPLIANT LOCTITE TO THREADED AREA.
 4. APPLY NSF COMPLIANT REMOVABLE (BLUE) LOCTITE TO THREADED AREA.
 5. SILVER SOLDER JOINTS SHALL BE FULLY WETTED VIA CAPILLARY ACTION AND COMPLETELY NON-POROUS.



ITEM NO.	PART NUMBER	DESCRIPTION	QTY.
1	3-144/00	SPOUT, DECK TUB, 500/501 SERIES	1
1.1	P27015	SPOUT, DECK TUB, LE VERRE LA CROSSE	1
1.2	92262	SET SCREW, CUP PT 1/4"-20 X 5/8"L	1
1.3	3-610/00	AERATOR & HOUSING, M28X1, TUB FILLER, FULL FLOW	1
1.4	90139	O-RING, 2-3/16ID X 3/32THK., AS-568-139	1
2	3-210/00	ESCUTCHEON BASE, HANDSHOWER, TRADITIONAL	1
2.1	P18001/00	ESCUTCHEON BASE, DECK TUB, HANDSHOWER, TRAD.	1
2.2	90133	1 13/16"O-RING, 1-13/16ID X 3/32THK, AS-568-133	1
3	3-239/00	LEVER HANDLE, LE VERRE & LA CROSSE	3
3.1	92008	SET SCREW, CUP POINT 8-32, 3/16" L.	2
3.2	P02020/00	ESCUTCHEON, COVER PLATE K170&K171	1
3.3	P01024/00	K170 HANDLE	1
4	4-133/00	HANDSHOWER W/ ELBOW & HOSE, CARRARA, GEORGETOWN, VERSAILLES	1
4.1	3-402/00	HAND SHOWER, HEAD ONLY, BELL SHAPED	1
4.2	3-050/00	ELBOW ASSEMBLY	1
4.3	3-049/00	ASSY, HOSE KIT, HANDSHOWER	1
5	92021	HEX KEY 5/64, FOR 8-32 SET SCREW	1
6	92216	HEX L-KEY 1/8" HEX x 2-5/16"L	1

D5	B	UPDATE HEX KEY PART #	4/29/2021	AMM
ZONE	REV.	DESCRIPTION	DATE	APPROVED
REVISIONS				

1261 LOGAN AVENUE
 COSTA MESA, CALIFORNIA 92626
 PHONE: 714.361.4800
 FAX: 714.617.3120



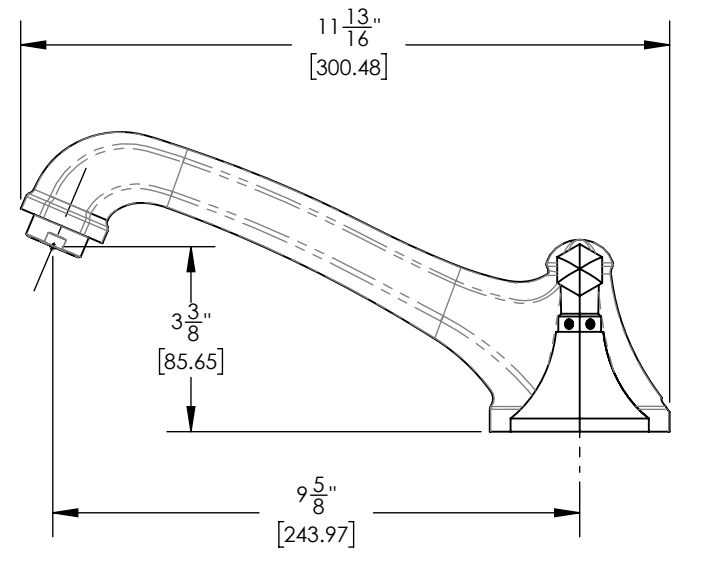
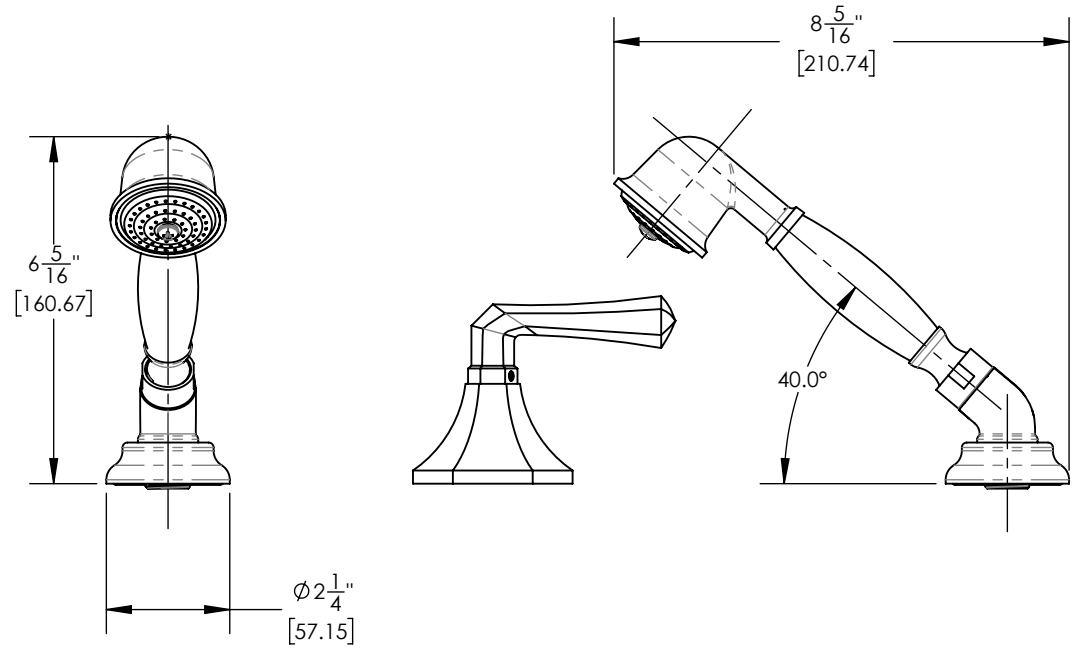
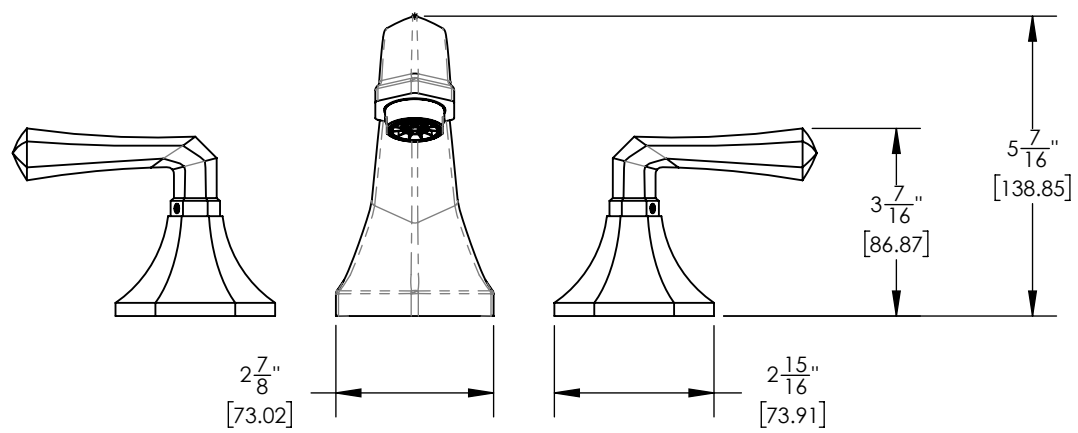
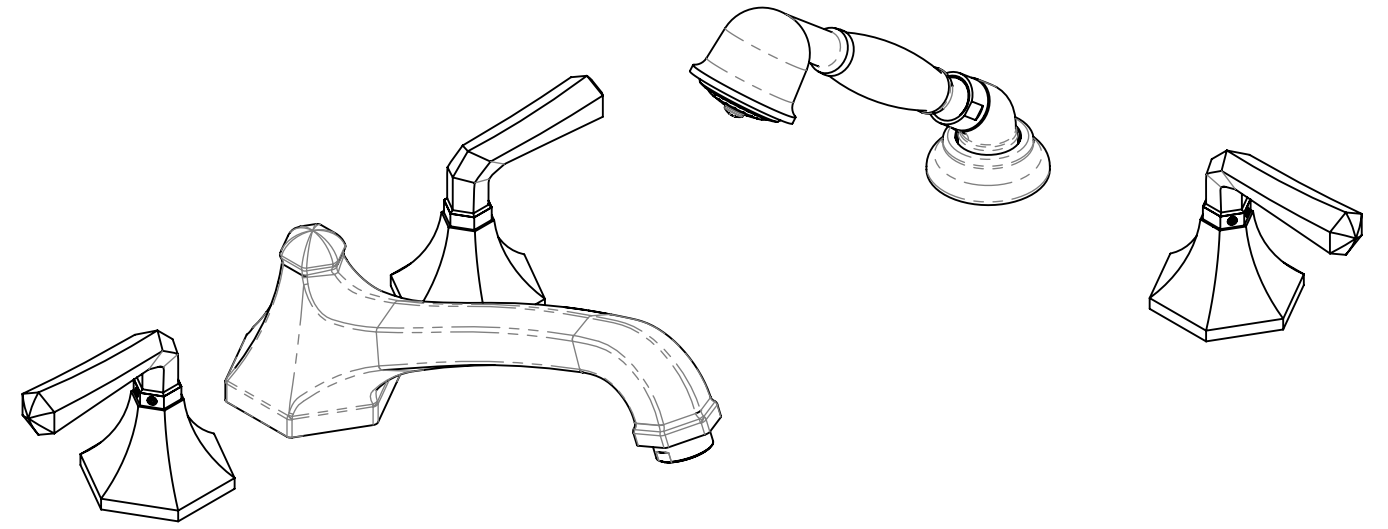
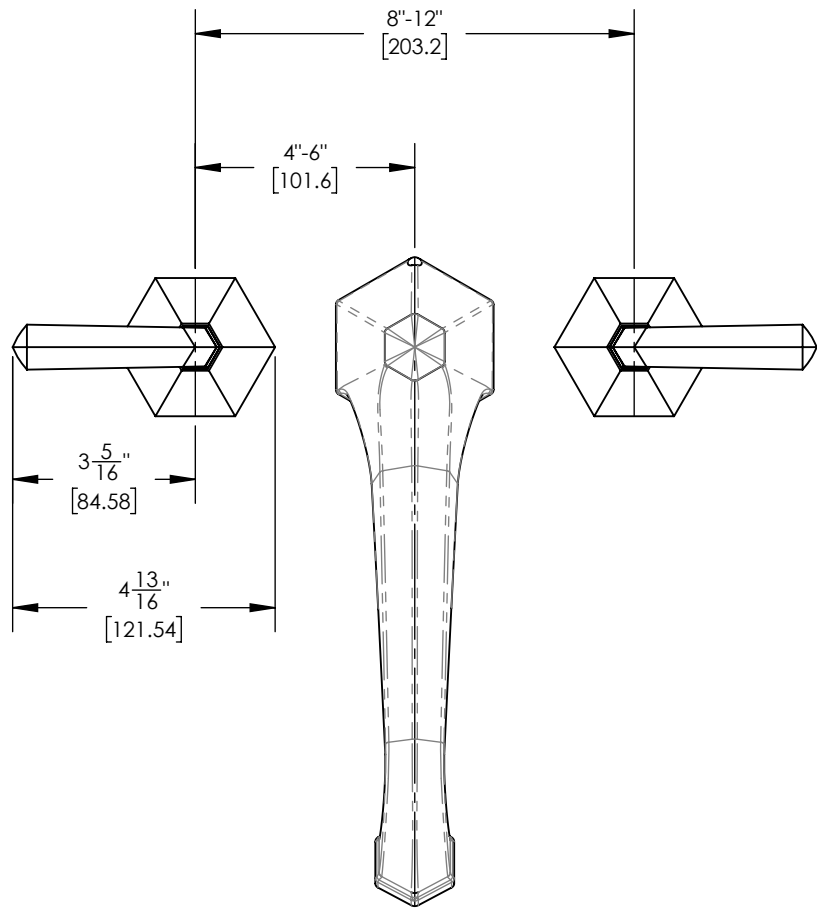
PROPRIETARY AND CONFIDENTIAL
 THE INFORMATION CONTAINED IN THIS DRAWING IS THE SOLE PROPERTY OF PHYLIRICH. ANY REPRODUCTION IN PART OR AS A WHOLE WITHOUT THE WRITTEN PERMISSION OF PHYLIRICH IS PROHIBITED.
DO NOT SCALE DRAWING

DECK TUB WITH HAND SHOWER, LE VERRE & LA CROSSE

SIZE	ASM/PRT NO.	REV
B	K2170V1/00	B
SCALE: 1:2.75	WEIGHT: lbs.	SHEET 1 OF 2

8 7 6 5 4 3 2 1

E
D
C
B
A



1261 LOGAN AVENUE
COSTA MESA, CALIFORNIA 92626
PHONE: 714.361.4800
FAX: 714.617.3120

PHYLIRICH
Defining Luxury Since 1959

PROPRIETARY AND CONFIDENTIAL
THE INFORMATION CONTAINED IN THIS DRAWING IS THE SOLE PROPERTY OF PHYLIRICH. ANY REPRODUCTION IN PART OR AS A WHOLE WITHOUT THE WRITTEN PERMISSION OF PHYLIRICH IS PROHIBITED.
DO NOT SCALE DRAWING

DECK TUB WITH HAND SHOWER, LE VERRE & LA CROSSE

SIZE	ASM/PRT NO.	REV
B	K2170V1/00	B
SCALE: 1:3.5	WEIGHT: lbs.	SHEET 2 OF 2

8 7 6 5 4 3 2 1