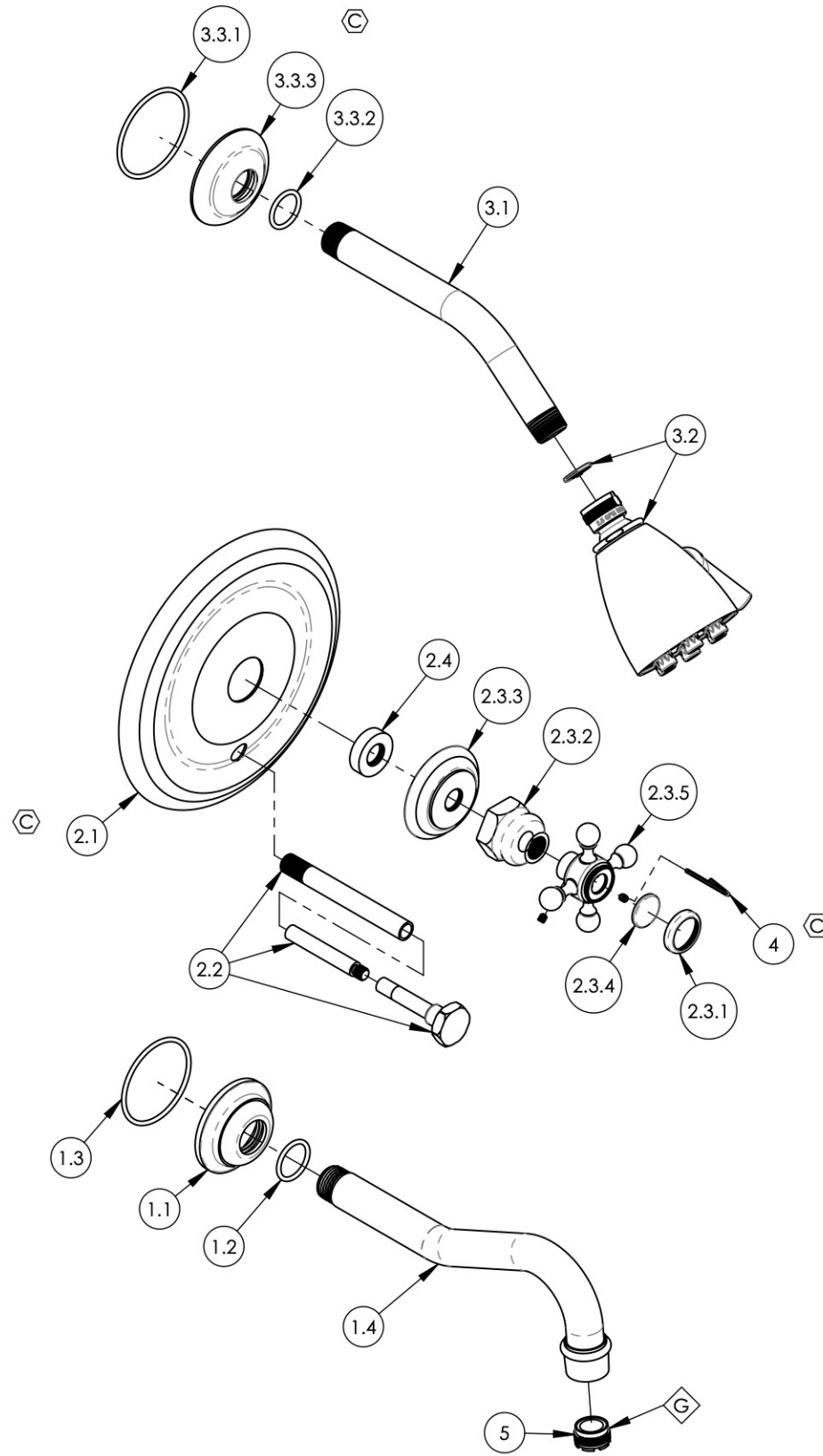


- NOTE(S):
1. PART NUMBER, "/00" DENOTES PART SHALL HAVE FINISH.
 2. APPLY NSF COMPLIANT GREASE TO ANY O-RING, SEALING JOINTS, AND/OR PIVOTAL POINTS. G
 3. APPLY NSF COMPLIANT LOCTITE TO THREADED AREA. L
 4. APPLY NSF COMPLIANT REMOVABLE (BLUE) LOCTITE TO THREADED AREA. B
 5. SILVER SOLDER JOINTS SHALL BE FULLY WETTED VIA CAPILLARY ACTION AND COMPLETELY NON-POROUS. S



ITEM NO.	PART NUMBER	DESCRIPTION	QTY.
1	3-390/00	WALL SPOUT, HENRI SERIES	1
1.1	11158/00	FLANGE, WALL TUB	1
1.2	90118	O-RING, 7/8"ID X 1-1/16"OD X 3/32"THK, AS-568-118	1
1.3	90137	O-RING, 2-1/16"ID X 3/32"THK., AS-568-137	1
1.4	2-108/00	SUB. ASSY, WALL SPOUT	1
2	4-095/00	SHOWER TRIM PLATE, PB, DIVERTED, CROSS, HEX TRAD.	1
2.1	P17011/00	TRIM PLATE, PRESSURE BALANCE, SMOOTH, DOUBLE HOLE	1
2.2	3-322/00	DIVERTER EXTENSION FOR PB TUB & SHOWER SET, HEX	1
2.3	3-142B/00	CROSS HANDLE, WALL/SHOWER, 500 SERIES	1
2.3.1	10538/00	CAP RING FOR 500 SERIES BUTTON	1
2.3.2	10621/00	BASE HUB NUT	1
2.3.3	10618/00	ESCUTCHEON, TRADITIONAL 500	1
2.3.4	11097	PLASTIC BUTTON, BLANK	1
2.3.5	2-180/00	SUB ASSY. CROSS HANDLE HUB	1
2.4	11087	SLEEVE FOR PB-THERM PLATE	1
3	4-140/00	SHOWER HEAD 8" ARM, 6 JET PLUNGER, HEX TRADITIONAL	1
3.1	P16008/00	SHOWER ARM (8 INCH)	1
3.2	3-018/00	SHOWERHEAD SIX JET	1
3.3	3-720/00	SHOWER FLANGE, REGENT	1
3.3.1	90138	O-RING, 2 1/8"ID X 3/32"THK., AS-568-138	1
3.3.2	90117	O-RING, 7/8"ID X 33/32"THK., AS-568-117	1
3.3.3	P16011/00	K803 SHOWER FLANGE	1
4	92021	HEX KEY 5/64, FOR 8-32 SET SCREW	1
5	P05024	AERATOR CACHE COIN SLOT, M21.5X1.0 FULL FLOW	1

ALL	C	UPDATE TRIM PLATE, HEX KEY, & SHOWER FLANGE SUBASSY	4/23/2021	AMM
ZONE	REV.	DESCRIPTION	DATE	APPROVED
REVISIONS				

1261 LOGAN AVENUE
COSTA MESA, CALIFORNIA 92626
PHONE: 714.361.4800
FAX: 714.617.3120

PHYLIRICH[®]
Defining Luxury Since 1959

PROPRIETARY AND CONFIDENTIAL
THE INFORMATION CONTAINED IN THIS DRAWING IS THE SOLE PROPERTY OF PHYLIRICH. ANY REPRODUCTION IN PART OR AS A WHOLE WITHOUT THE WRITTEN PERMISSION OF PHYLIRICH IS PROHIBITED.
DO NOT SCALE DRAWING

PRESSURE BALANCE TUB & SHOWER KIT, CROSS HANDLES, HENRI

SIZE B	ASM/PRT NO. 161-26/00	REV C
SCALE: 1:4	WEIGHT: lbs.	SHEET 1 OF 2