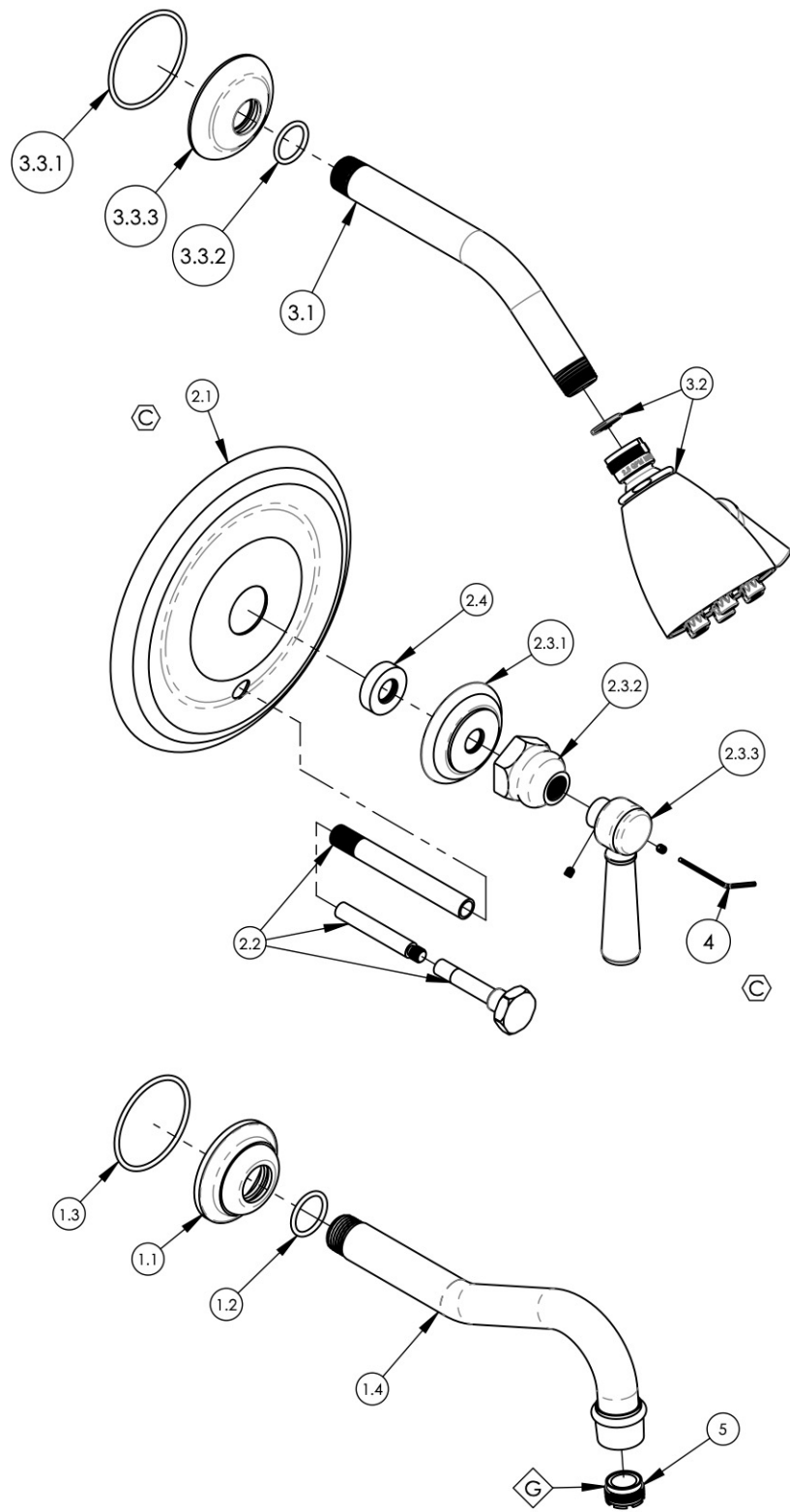


- NOTE(S):
1. PART NUMBER, "/00" DENOTES PART SHALL HAVE FINISH.
 2. APPLY NSF COMPLIANT GREASE TO ANY O-RING, SEALING JOINTS, AND/OR PIVOTAL POINTS.
 3. APPLY NSF COMPLIANT LOCTITE TO THREADED AREA.
 4. APPLY NSF COMPLIANT REMOVABLE (BLUE) LOCTITE TO THREADED AREA.
 5. SILVER SOLDER JOINTS SHALL BE FULLY WETTED VIA CAPILLARY ACTION AND COMPLETELY NON-POROUS.

- ◇ G
- ◇ L
- ◇ B
- ◇ S



ITEM NO.	PART NUMBER	DESCRIPTION	QTY.
1	3-390/00	WALL SPOUT, HENRI SERIES	1
1.1	11158/00	FLANGE, WALL TUB	1
1.2	90118	O-RING, 7/8"ID X 1-1/16"OD X 3/32"THK, AS-568-118	1
1.3	90137	O-RING, 2-1/16"ID X 3/32"THK., AS-568-137	1
1.4	2-108/00	SUB. ASSY, WALL SPOUT	1
2	4-096/00	SHOWER TRIM PLATE, PB, DIVERTED, LEVER, HEX TRAD.	1
2.1	P17011/00	TRIM PLATE, PRESSURE BALANCE, SMOOTH, DOUBLE HOLE	1
2.2	3-322/00	DIVERTER EXTENSION FOR PB TUB & SHOWER SET, HEX	1
2.3	3-143/00	LEVER HANDLE, WALL/SHOWER, 500 SERIES,	1
2.3.1	10618/00	ESCUTCHEON, TRADITIONAL 500	1
2.3.2	10621/00	BASE HUB NUT	1
2.3.3	2-141/00	SUB ASSY. LEVER HANDLE, 500 SERIES	1
2.4	11087	SLEEVE FOR PB-THERM PLATE	1
3	4-140/00	SHOWER HEAD 8" ARM, 6 JET PLUNGER, HEX TRADITIONAL	1
3.1	P16008/00	SHOWER ARM (8 INCH)	1
3.2	3-018/00	SHOWERHEAD SIX JET	1
3.3	3-720/00	SHOWER FLANGE, REGENT	1
3.3.1	90138	O-RING, 2 1/8"ID X 3/32"THK., AS-568-138	1
3.3.2	90117	O-RING, 7/8"ID X 33/32"THK., AS-568-117	1
3.3.3	P16011/00	K803 SHOWER FLANGE	1
4	92021	HEX KEY 5/64, FOR 8-32 SET SCREW	1
5	P05024	AERATOR CACHE COIN SLOT, M21.5X1.0 FULL FLOW	1

D6, C4	C	HEX KEY PART # & TRIM PLATE UPDATED	3/31/2021	AMM
ZONE	REV.	DESCRIPTION	DATE	APPROVED
REVISIONS				

1261 LOGAN AVENUE
COSTA MESA, CALIFORNIA 92626
PHONE: 714.361.4800
FAX: 714.617.3120

PHYLIRICH[®]
Defining Luxury Since 1959

PROPRIETARY AND CONFIDENTIAL
THE INFORMATION CONTAINED IN THIS DRAWING IS THE SOLE PROPERTY OF PHYLIRICH. ANY REPRODUCTION IN PART OR AS A WHOLE WITHOUT THE WRITTEN PERMISSION OF PHYLIRICH IS PROHIBITED.
DO NOT SCALE DRAWING

**PRESSURE BALANCE TUB & SHOWER KIT,
LEVER HANDLES, HENRI**

SIZE B	ASM/PRT NO. 161-27/00	REV C
SCALE: 1:4	WEIGHT: lbs.	SHEET 1 OF 2