

NOTE(S):

1. EXAMPLE OF SPLIT FINISH CODE:
A. 3-373/026X030

2. SPLIT FINISH CODES:

A. BLACK MARBLE = 3-373/00X030
B. WHITE MARBLE = 3-373/00X031
C. SOAPSTONE = 3-373/00X032

3. AVAILABLE HANDLE STONE PART # OPTIONS:

A. BLACK MARBLE = 11328 (030)
B. WHITE MARBLE = 11329 (031)
C. SOAPSTONE = 11330 (032)

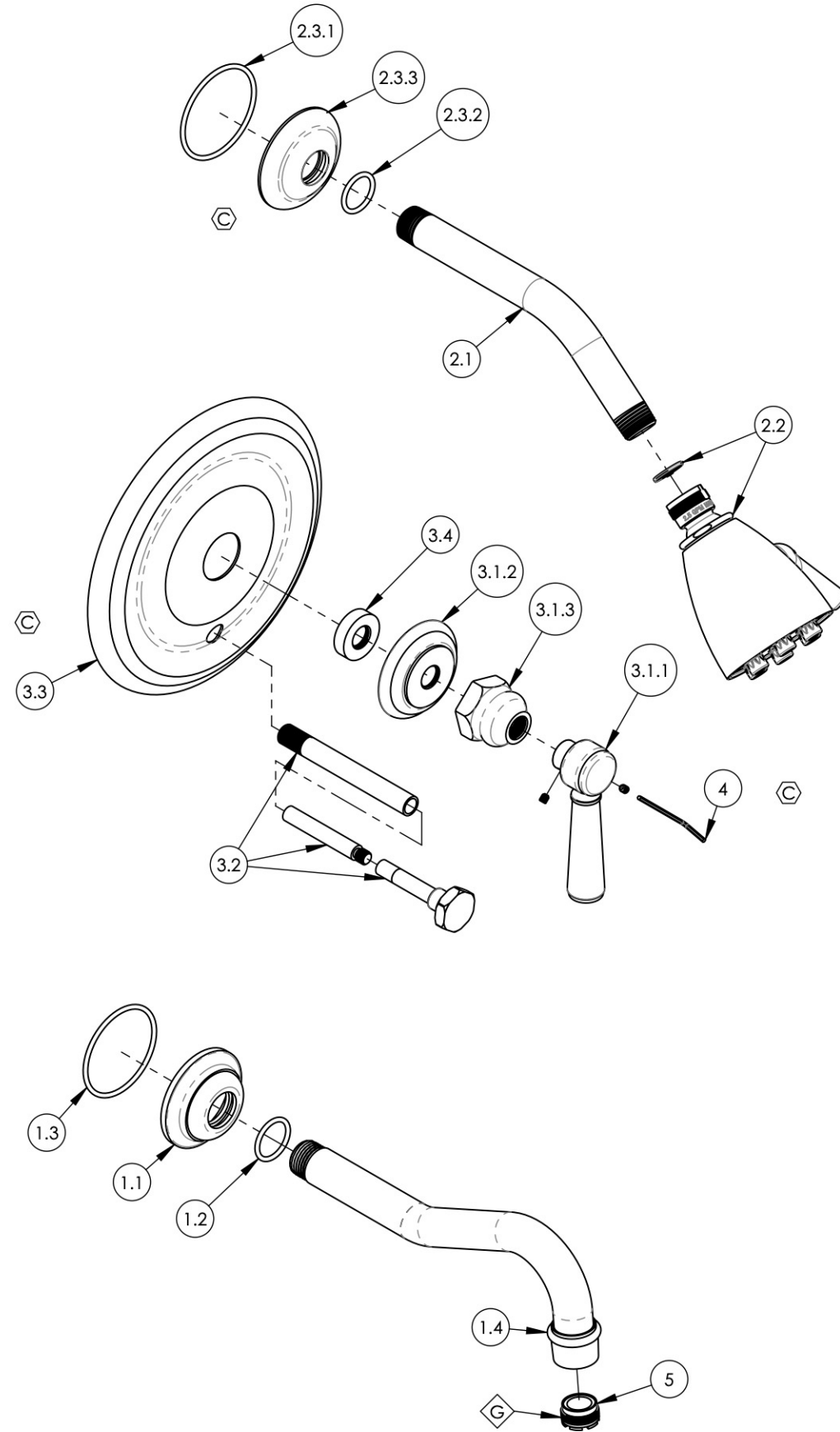
4. PART NUMBER, "/00" DENOTES PART SHALL HAVE FINISH.

5. APPLY NSF COMPLIANT GREASE TO ANY O-RING, SEALING JOINTS, AND/OR PIVOTAL POINTS.

6. APPLY NSF COMPLIANT LOCTITE TO THREADED AREA.

7. APPLY NSF COMPLIANT REMOVABLE (BLUE) LOCTITE TO THREADED AREA.

8. SILVER SOLDER JOINTS SHALL BE FULLY WETTED VIA CAPILLARY ACTION AND COMPLETELY NON-POROUS.



ITEM NO.	PART NUMBER	DESCRIPTION	QTY.
1	3-390/00	WALL SPOUT, HENRI SERIES	1
1.1	11158/00	FLANGE, WALL TUB	1
1.2	90118	O-RING, 7/8"ID X 1-1/16"OD X 3/32"THK, AS-568-118	1
1.3	90137	O-RING, 2-1/16"ID X 3/32"THK., AS-568-137	1
1.4	2-108/00	SUB. ASSY, WALL SPOUT	1
2	4-140/00	SHOWER HEAD 8" ARM, 6 JET PLUNGER, HEX TRADITIONAL	1
2.1	P16008/00	SHOWER ARM (8 INCH)	1
2.2	3-018/00	SHOWERHEAD SIX JET	1
2.3	3-720/00	SHOWER FLANGE, REGENT	1
2.3.1	90138	O-RING, 2 1/8"ID X 3/32"THK., AS-568-138	1
2.3.2	90117	O-RING, 7/8"ID X 33/32"THK., AS-568-117	1
2.3.3	P16011/00	K803 SHOWER FLANGE	1
3	4-164/00	SHOWER TRIM PLATE, PB, DIVERTED, MARBLE, HEX TRAD	1
3.1	3-373/00	MARBLE LEVER HANDLE ASSY., WALL/SHOWER	1
3.1.1	2-142/00	MARBLE LEVER HANDLE, 500 SERIES, HEX TRADITIONAL	1
3.1.2	10618/00	ESCUTCHEON, TRADITIONAL 500	1
3.1.3	10621/00	BASE HUB NUT	1
3.2	3-322/00	DIVERTER EXTENSION FOR PB TUB & SHOWER SET, HEX	1
3.3	P17011/00	TRIM PLATE, PRESSURE BALANCE, SMOOTH, DOUBLE HOLE	1
3.4	11087	SLEEVE FOR PB-THERM PLATE	1
4	92021	HEX KEY 5/64, FOR 8-32 SET SCREW	1
5	P05024	AERATOR CACHE COIN SLOT, M21.5X1.0 FULL FLOW	1

D5	C	UPDATE TRIM PLATE, HEX KEY, & SHOWER FLANGE ASSY	3/16/2021	AMM
ZONE	REV.	DESCRIPTION	DATE	APPROVED
REVISIONS				

1261 LOGAN AVENUE
COSTA MESA, CALIFORNIA 92626
PHONE: 714.361.4800
FAX: 714.617.3120

PHYLIRICH[®]
Defining Luxury Since 1959

PROPRIETARY AND CONFIDENTIAL
THE INFORMATION CONTAINED IN THIS DRAWING IS THE SOLE PROPERTY OF PHYLIRICH. ANY REPRODUCTION IN PART OR AS A WHOLE WITHOUT THE WRITTEN PERMISSION OF PHYLIRICH IS PROHIBITED.
DO NOT SCALE DRAWING

TUB & SHOWER TRIM SET, PRESSURE BALANCE, MARBLE LEVER HANDLE, HENRI

SIZE B	ASM/PRT NO. 161-28/00	REV C
SCALE: 1:3.5	WEIGHT: lbs.	SHEET 1 OF 2