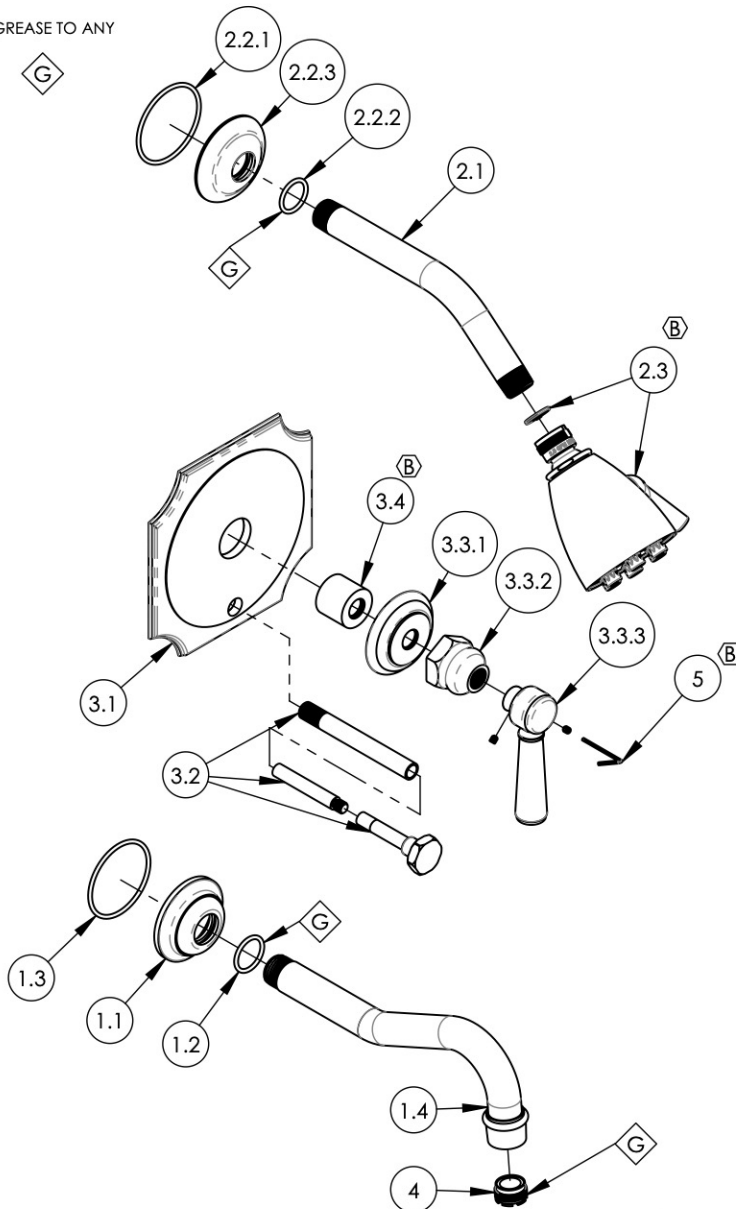


NOTE(S):
 1. APPLY NSF COMPLIANT GREASE TO ANY O-RING, SEALING JOINTS, AND/OR PIVOTAL POINTS.



ITEM NO.	PART NUMBER	DESCRIPTION	QTY.
1	3-390/00	WALL SPOUT, HENRI SERIES	1
1.1	11158/00	FLANGE, WALL TUB	1
1.2	90118	O-RING, 7/8"ID X 1-1/16"OD X 3/32"THK, AS-568-118	1
1.3	90137	O-RING, 2-1/16"ID X 3/32"THK., AS-568-137	1
1.4	2-108/00	SUB. ASSY, WALL SPOUT	1
2	4-140/00	SHOWER HEAD 8" ARM, 6 JET PLUNGER, HEX TRADITIONAL	1
2.1	P16008/00	SHOWER ARM (8 INCH)	1
2.2	810/00	SHOWER FLANGE, TRADITIONAL	1
2.2.1	90138	O-RING, 2 1/8"ID X 3/32"THK., AS-568-138	1
2.2.2	90117	O-RING, 7/8"ID X 33/32"THK., AS-568-117	1
2.2.3	P16011/00	K803 SHOWER FLANGE	1
2.3	3-018/00	SHOWERHEAD SIX JET	1
3	4-166/00	SHOWER TRIM PLATE, DIVERTED, SCALLOP PLATE, LEVER HANDLE	1
3.1	10516/00	TRIM PLATE DIVERTED, FRENCH TRAD. PB/THERMO	1
3.2	3-322/00	DIVERTER EXTENSION FOR PB TUB & SHOWER SET, HEX	1
3.3	3-143/00	LEVER HANDLE, WALL/SHOWER, 500 SERIES,	1
3.3.1	10618/00	ESCUTCHEON, TRADITIONAL 500	1
3.3.2	10621/00	BASE HUB NUT	1
3.3.3	2-141/00	SUB ASSY. LEVER HANDLE, 500 SERIES	1
3.4	11087	SLEEVE FOR PB-THERM PLATE	1
4	P05024	AERATOR CACHE COIN SLOT, M21.5X1.0 FULL FLOW	1
5	P39001	HEX KEY 5/64, FOR 8-32 SET SCREW	1

ALL	B	UPDATE TEMPLATE, DWG NAME, SHOWER/ TRIM PLATE SUBASSYS, REPLACE HEX KEY, ADD CALL OUTS	4/23/2020	AMM
ZONE	REV.	DESCRIPTION	DATE	APPROVED
REVISIONS				

1261 LOGAN AVENUE
 COSTA MESA, CALIFORNIA 92626
 PHONE: 714.361.4800
 FAX: 714.617.3120

PHYLIRICH[®]
 Defining Luxury Since 1959

PROPRIETARY AND CONFIDENTIAL
 THE INFORMATION CONTAINED IN THIS DRAWING IS THE SOLE PROPERTY OF PHYLIRICH. ANY REPRODUCTION IN PART OR AS A WHOLE WITHOUT THE WRITTEN PERMISSION OF PHYLIRICH IS PROHIBITED.

-	-	INTERPRET GEOMETRIC DIMENSIONING & TOLERANCING IN ACCORDANCE WITH ASME Y14.5-2009 & ASME Y14.41-2003 STANDARDS, UNLESS OTHERWISE SPECIFIED. DIMENSIONS ARE IN INCHES. TOLERANCES ARE:		
NEXT ASSY	USED ON	FRACTIONS ±1/16"	DECIMALS X.X: ±.1 X.XX: ±.01 X.XXX: ±.005	ANGULAR ±2°
APPLICATION		MATERIAL	NAME	DATE
FINISH		DRAWN	LLO	10/29/2015
DO NOT SCALE DRAWING		CHECKED	GRE	

TUB & SHOWER TRIM SET, PRESSURE BALANCE, LEVER HANDLE, HENRI

SIZE **A** ASM/PRT NO. **161-30/00** REV **B**

SCALE: 1:5 WEIGHT: lbs. SHEET 1 OF 2