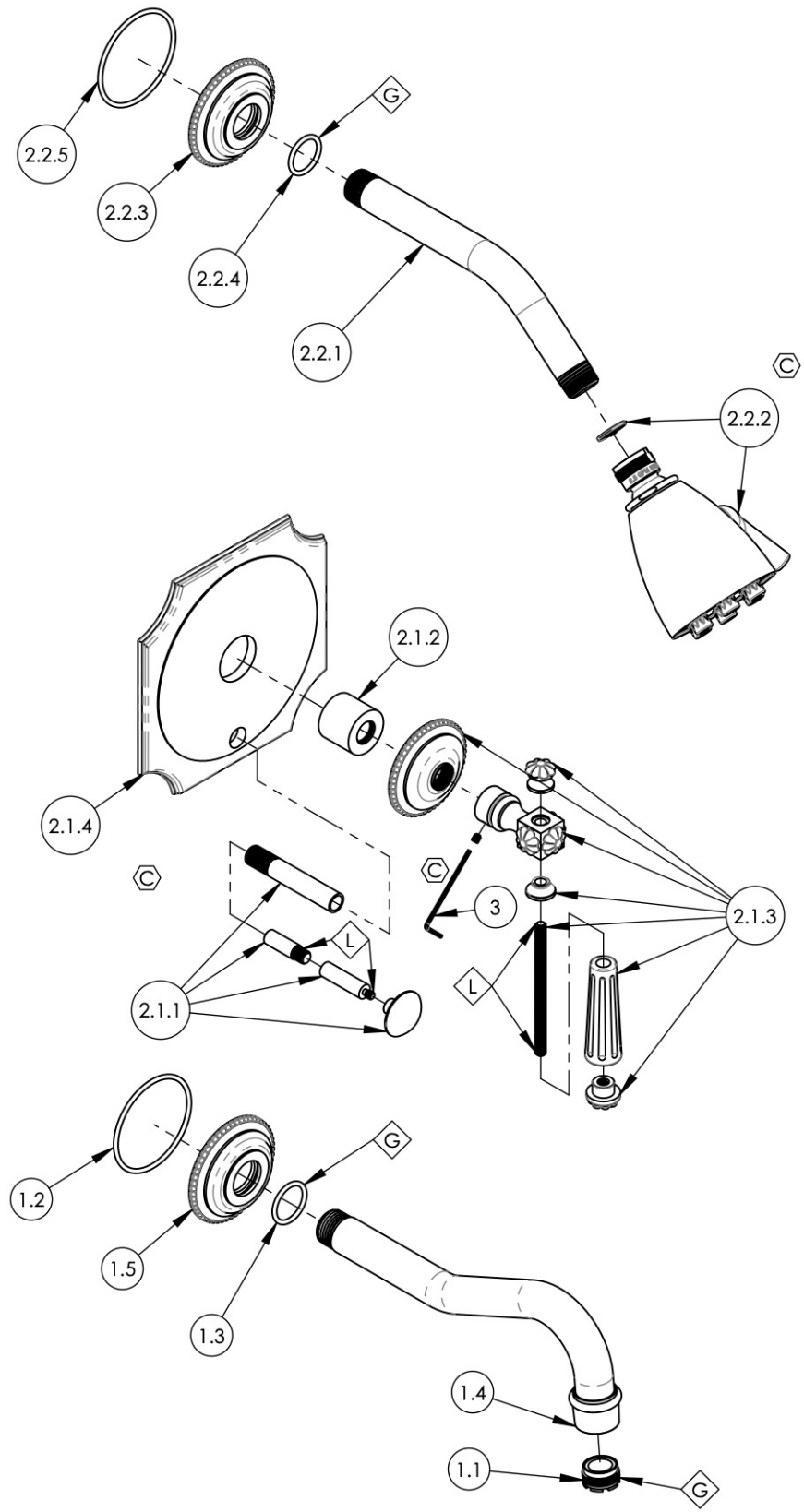


NOTE(S):

- 1. APPLY NSF COMPLIANT GREASE TO ANY O-RING, SEALING JOINTS, AND/OR PIVOTAL POINTS. G
- 2. APPLY NSF COMPLIANT LOCTITE TO THREADED AREA. L



ITEM NO.	PART NUMBER	DESCRIPTION	QTY.
1	3-401/00	SUB ASSY. WALL TUB, MARVELLE	1
1.1	P05024	AERATOR CACHE COIN SLOT, M21.5X1.0 FULL FLOW	1
1.2	90140	O-RING, 2-1/4ID X 3/32THK., AS-568-140	1
1.3	90118	O-RING, 7/8"ID X 1-1/16"OD X 3/32"THK, AS-568-118	1
1.4	2-108/00	SUB. ASSY, WALL SPOUT	1
1.5	11313/00	ESCUTCHEON, SPOUT, WALL LAV, MARVELLE	1
2	4-478/00	SHOWER TRIM SET, DIVERTED, LESS SPOUT, LEVER HANDLE, MARVELLE	1
2.1	4-480/00	SHOWER TRIM PLATE, PB DIVERTED, LEVER HANDLE, MARVELLE	1
2.1.1	3-125/00	DIVERTER EXTENSION ASSY FOR PB TUB & SHOWER SET	1
2.1.2	11087	SLEEVE FOR PB-THERM PLATE	1
2.1.3	3-030/00	HANDLE LEVER, MARVELLE SEIRES	1
2.1.4	10516/00	TRIM PLATE DIVERTED, FRENCH TRAD. PB/THERMO	1
2.2	4-509/00	SHOWER HEAD 8" ARM, 6 JET PLUNGER, MARVELLE	1
2.2.1	P16008/00	SHOWER ARM (8 INCH)	1
2.2.2	3-018/00	SHOWERHEAD SIX JET	1
2.2.3	11313/00	ESCUTCHEON, SPOUT, WALL LAV, MARVELLE	1
2.2.4	90117	O-RING, 7/8"ID X 33/32"THK., AS-568-117	1
2.2.5	90140	O-RING, 2-1/4ID X 3/32THK., AS-568-140	1
3	P39001	HEX KEY 5/64, FOR 8-32 SET SCREW	1

ALL	C	UPDATE TEMPLATE, DWG NAME, HEX KEY, SHOWERHEAD, SLEEVE MNT, ADD CALL OUTS, REMOVE TAPE	7/28/2020	AMM	
ZONE	REV.	DESCRIPTION	DATE	APPROVED	
REVISIONS					
1261 LOGAN AVENUE COSTA MESA, CALIFORNIA 92626 PHONE: 714.361.4800 FAX: 714.617.3120		PHYLIRICH Defining Luxury Since 1959	PROPRIETARY AND CONFIDENTIAL THE INFORMATION CONTAINED IN THIS DRAWING IS THE SOLE PROPERTY OF PHYLIRICH. ANY REPRODUCTION IN PART OR AS A WHOLE WITHOUT THE WRITTEN PERMISSION OF PHYLIRICH IS PROHIBITED.		

NEXT ASSY	USED ON	FRACTIONS ±1/16"	DECIMALS X.X: ±.1 X.XX: ±.01 X.XXX: ±.005	ANGULAR ±2°
APPLICATION		MATERIAL	NAME	DATE
FINISH		DRAWN	LLO	10/15/2015
DO NOT SCALE DRAWING		CHECKED	GRE	

TUB & SHOWER TRIM SET, PRESSURE BALANCE, LEVER HANDLE, MARVELLE		
SIZE	ASM/PRT NO.	REV
B	162-27/00	C
SCALE: 1:4	WEIGHT: lbs.	SHEET 1 OF 2