

5

4

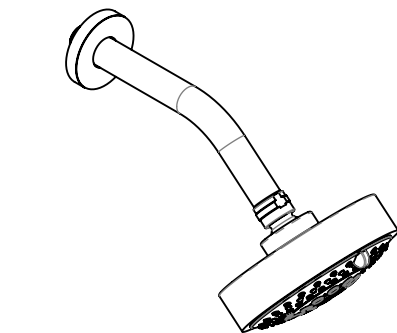
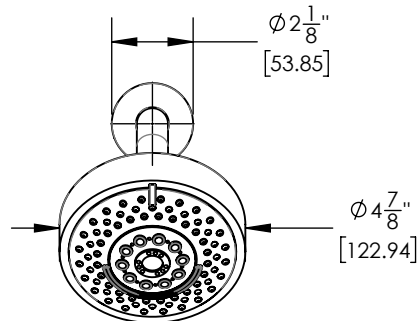
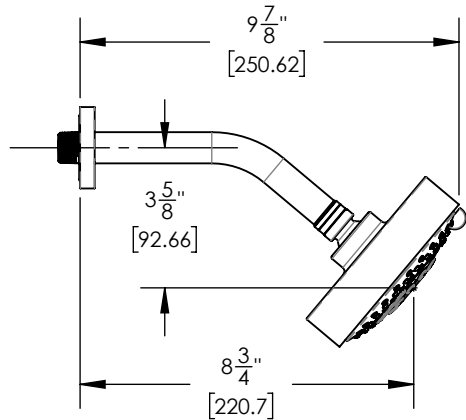
3

2

1

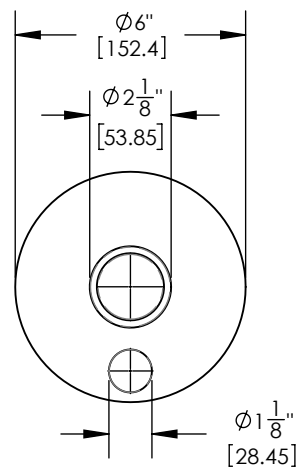
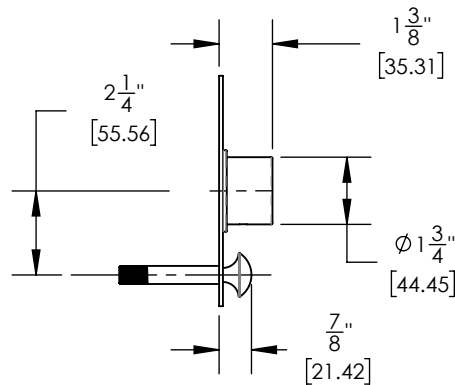
E

E



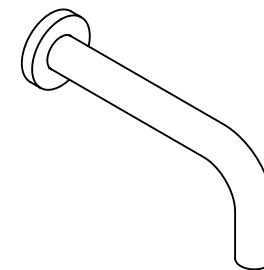
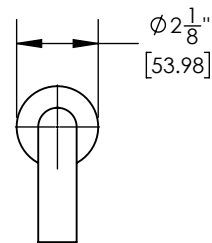
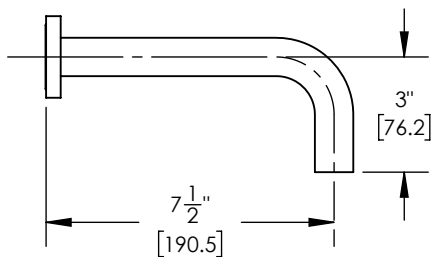
D

D



C

C



B

B

A

A

1261 LOGAN AVENUE
COSTA MESA, CALIFORNIA 92626
PHONE: 714.361.4800
FAX: 714.617.3120

PHYLIRICH[®]
Defining Luxury Since 1959

PROPRIETARY AND CONFIDENTIAL
THE INFORMATION CONTAINED IN THIS DRAWING IS THE SOLE PROPERTY OF PHYLIRICH. ANY REPRODUCTION IN PART OR AS A WHOLE WITHOUT THE WRITTEN PERMISSION OF PHYLIRICH IS PROHIBITED.
DO NOT SCALE DRAWING

**PRESSURE BALANCE TUB & SHOWER KIT,
MARBLE HANDLE, BASIC II**

SIZE A	ASM/PRT NO. 230-28/00	REV B
SCALE: 1:5	WEIGHT: lbs.	SHEET 2 OF 2

5

4

3

2

1