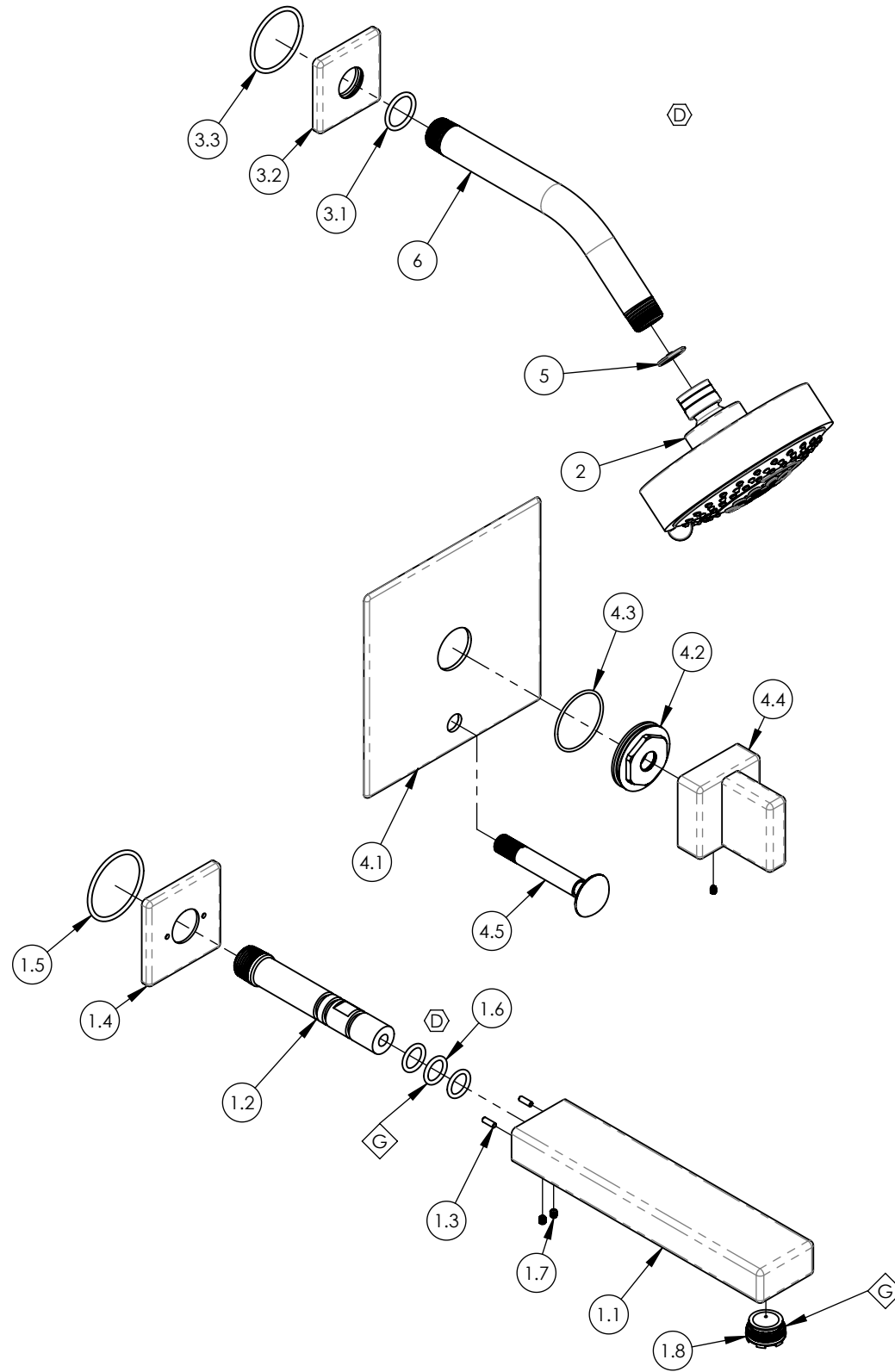
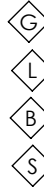


- NOTE(S):
1. PART NUMBER, "/00" DENOTES PART SHALL HAVE FINISH.
 2. APPLY NSF COMPLIANT GREASE TO ANY O-RING, SEALING JOINTS, AND/OR PIVOTAL POINTS.
 3. APPLY NSF COMPLIANT LOCTITE TO THREADED AREA.
 4. APPLY NSF COMPLIANT REMOVABLE (BLUE) LOCTITE TO THREADED AREA.
 5. SILVER SOLDER JOINTS SHALL BE FULLY WETTED VIA CAPILLARY ACTION AND COMPLETELY NON-POROUS.



ITEM NO.	PART NUMBER	DESCRIPTION	QTY.
1	3-124/00	SPOUT, WALL TUB, MIX	1
1.1	11000/00	SPOUT, WALL MOUNT	1
1.2	10013	INJECTOR SHANK, 1/2"NPT MALE TO M16.5 CACHE W/ O-SEAL	1
1.3	92158	DOWEL PIN, 1/8" X 3/8"L	2
1.4	10934/00	ESCUTCHEON, SPOUT RT MIX SERIES	1
1.5	90131	O-RING, 1-11/16ID X 3/32THK, AS-568-131	1
1.6	90113	O-RING, 9/16"ID X 3/4"OD X 3/32"THK, AS-568-113	3
1.7	92008	SET SCREW, CUP POINT 8-32, 3/16" L.	2
1.8	P05051	AERATOR, CACHE COINED SLOT M24X1.0 FULL FLOW	1
2	3-454/00	SHOWER HEAD MULTI. FUNC. CONTEMP.	1
3	3-719/00	SHOWER FLANGE, MIX/ STRIA	1
3.1	90117	O-RING, 7/8"ID X 33/32"THK., AS-568-117	1
3.2	10935/00	ESCUTCHEON, SHOWER FLANGE MIX SERIES	1
3.3	90129	O-RING, 1-9/16"ID X 3/32THK, AS-568-129	1
4	4-107/00	SHOWER TRIM PLATE, PRESSURE BALANCE DIVERTED, BLADE, MIX	1
4.1	10959/00	SHOWER TRIM PLATE W/ DIVERTER HOLE, MIX SERIES	1
4.2	92401	BASE MOUNT, TRIM PLATE TO ESCUTCHEON	1
4.3	90029	O-RING, 1-5/8"ID X 1-3/4"OD X 1/16"THK, AS-568-029	1
4.4	3-119/00	PB SHOWER SET, HANDLE BLADE MIX	1
4.5	3-125/00	DIVERTER EXTENSION ASSY FOR PB TUB & SHOWER SET	1
5	11432	1.75 GPM FLOW REGULATOR	1
6	P16008/00	SHOWER ARM (8 INCH)	1

B5, D6	D	INJECTOR SHANK EXTENSION REMOVED, UPDATED O-RINGS & SHOWER ASSY	6/9/2021	AMM
ZONE	REV.	DESCRIPTION	DATE	APPROVED
REVISIONS				

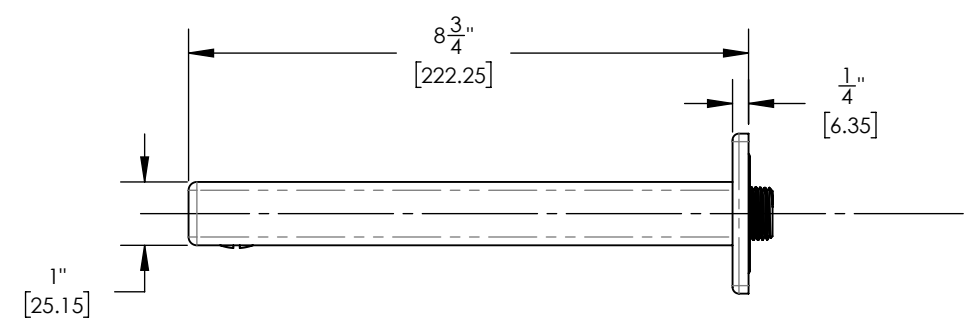
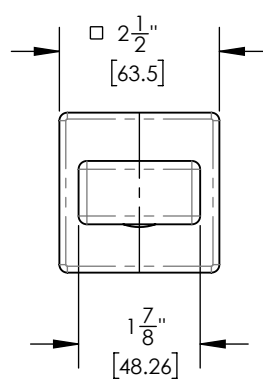
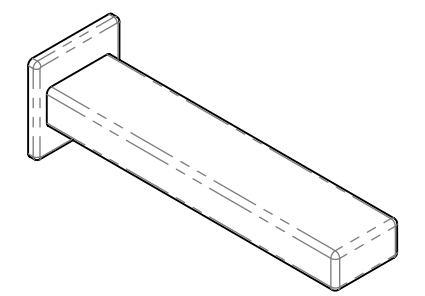
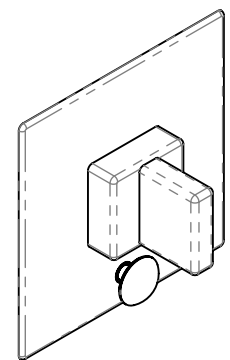
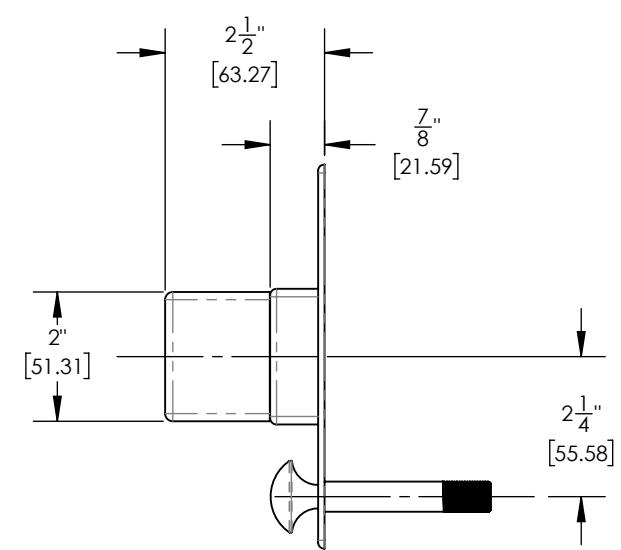
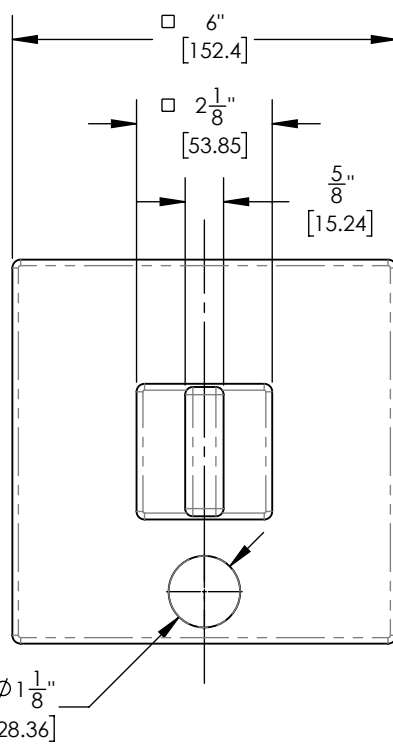
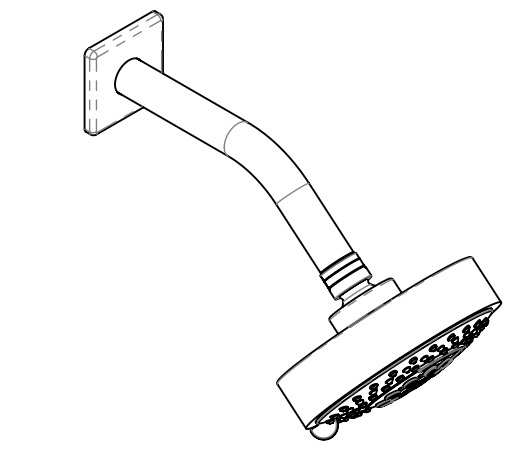
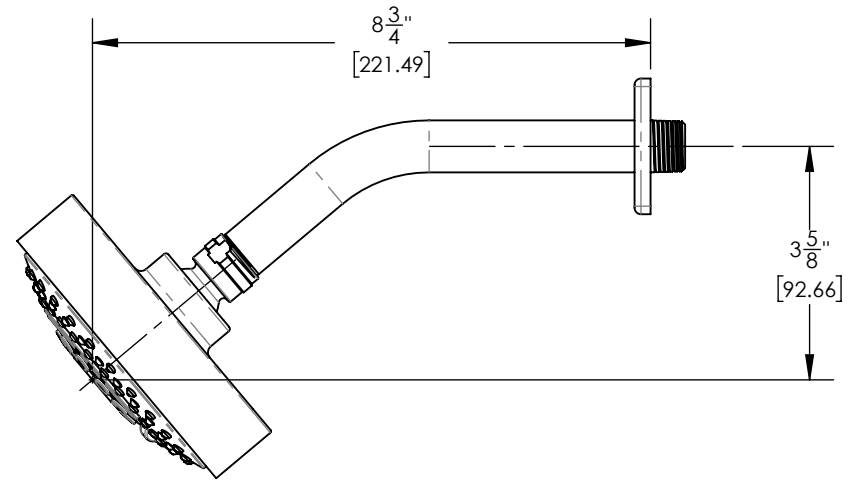
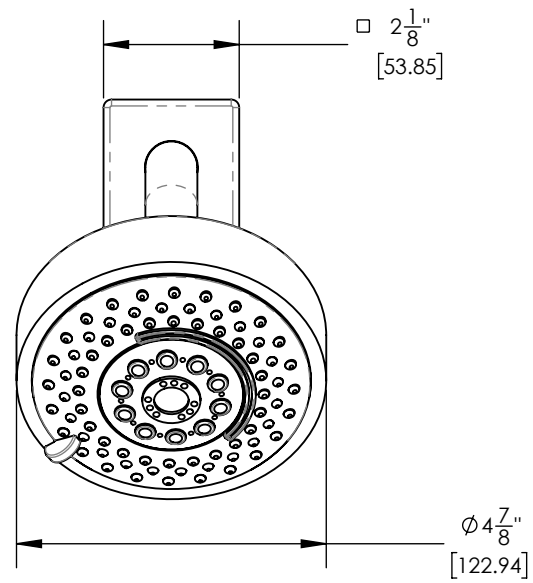
1261 LOGAN AVENUE
COSTA MESA, CALIFORNIA 92626
PHONE: 714.361.4800
FAX: 714.617.3120

PHYLRICH[®]
Defining Luxury Since 1959

PROPRIETARY AND CONFIDENTIAL
THE INFORMATION CONTAINED IN THIS DRAWING IS THE SOLE PROPERTY OF PHYLRICH. ANY REPRODUCTION IN PART OR AS A WHOLE WITHOUT THE WRITTEN PERMISSION OF PHYLRICH IS PROHIBITED.
DO NOT SCALE DRAWING

SHOWER TRIM SET - PRESSURE BALANCE, TUB & SHOWER, BLADE, MIX

SIZE	ASM/PRT NO.	REV
B	290-26/00	D
SCALE: 1:4	WEIGHT: lbs.	SHEET 1 OF 2



1261 LOGAN AVENUE
 COSTA MESA, CALIFORNIA 92626
 PHONE: 714.361.4800
 FAX: 714.617.3120

PHYLIRICH[®]
 Defining Luxury Since 1959

PROPRIETARY AND CONFIDENTIAL
 THE INFORMATION CONTAINED IN THIS DRAWING IS THE SOLE PROPERTY OF PHYLIRICH. ANY REPRODUCTION IN PART OR AS A WHOLE WITHOUT THE WRITTEN PERMISSION OF PHYLIRICH IS PROHIBITED.
DO NOT SCALE DRAWING

SHOWER TRIM SET - PRESSURE BALANCE, TUB & SHOWER, BLADE, MIX

SIZE B	ASM/PRT NO. 290-26/00	REV D
SCALE: 1:3	WEIGHT: lbs.	SHEET 2 OF 2