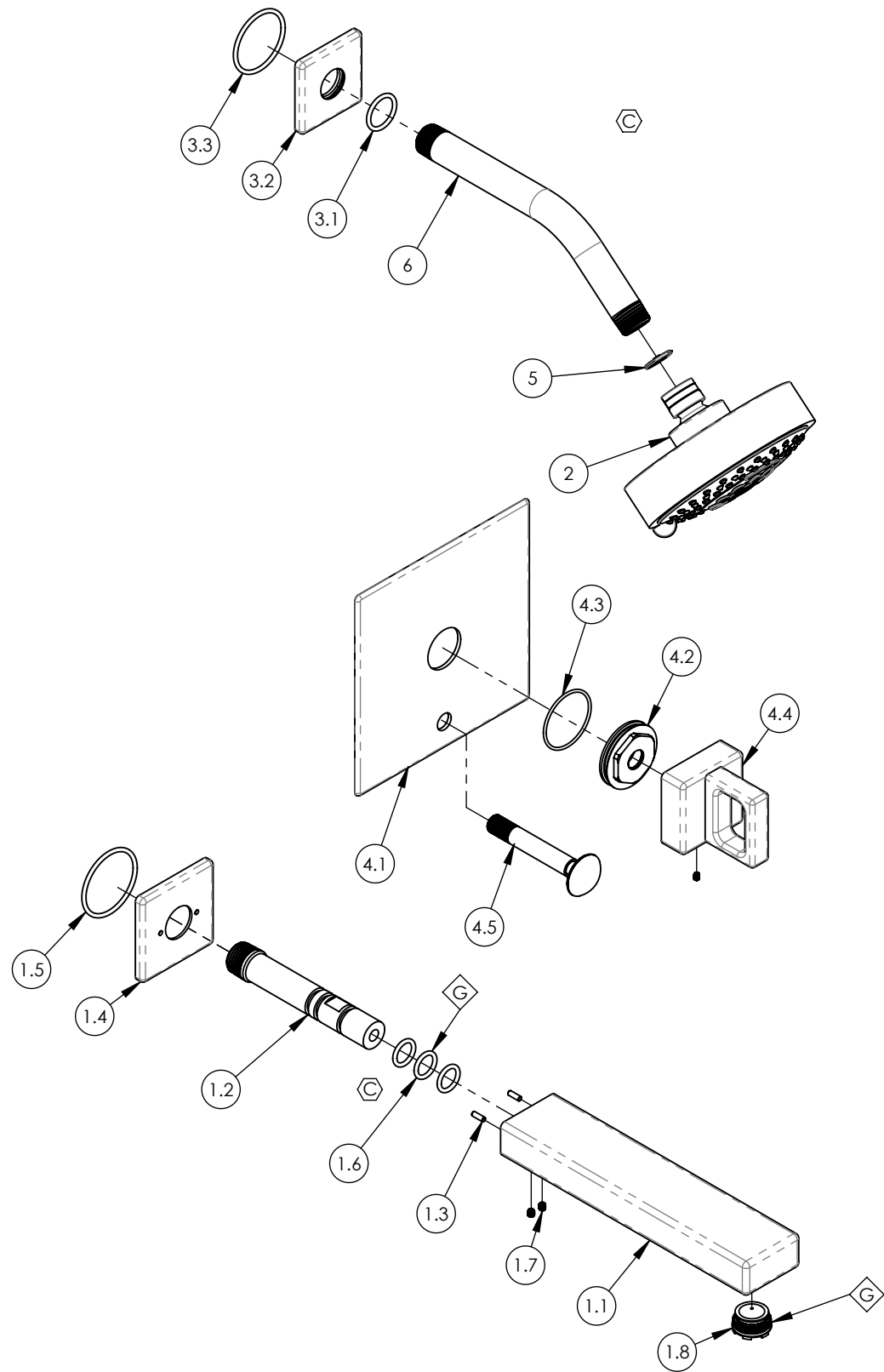


- NOTE(S):  
 1. PART NUMBER, "/00" DENOTES PART SHALL HAVE FINISH.  
 2. APPLY NSF COMPLIANT GREASE TO ANY O-RING, SEALING JOINTS, AND/OR PIVOTAL POINTS.  
 3. APPLY NSF COMPLIANT LOCTITE TO THREADED AREA.  
 4. APPLY NSF COMPLIANT REMOVABLE (BLUE) LOCTITE TO THREADED AREA.  
 5. SILVER SOLDER JOINTS SHALL BE FULLY WETTED VIA CAPILLARY ACTION AND COMPLETELY NON POROUS.

- ◇ G
- ◇ L
- ◇ B
- ◇ S



ITEM NO.	PART NUMBER	DESCRIPTION	QTY.
1	3-124/00	SPOUT, WALL TUB, MIX	1
1.1	11000/00	SPOUT, WALL MOUNT	1
1.2	10013	INJECTOR SHANK, 1/2"NPT MALE TO M16.5 CACHE W/ O-SEAL	1
1.3	92158	DOWEL PIN, 1/8" X 3/8"L	2
1.4	10934/00	ESCUTCHEON, SPOUT RT MIX SERIES	1
1.5	90131	O-RING, 1-11/16ID X 3/32THK, AS-568-131	1
1.6	90113	O-RING, 9/16ID X 3/4OD X 3/32THK, AS-568-113	3
1.7	92008	SET SCREW, CUP POINT 8-32, 3/16" L.	2
1.8	P05051	AERATOR, CACHE COINED SLOT M24X1.0 FULL FLOW	1
2	3-454/00	SHOWER HEAD MULTI. FUNC. CONTEMP.	1
3	3-719/00	SHOWER FLANGE, MIX/ STRIA	1
3.1	90117	O-RING, 7/8ID X 33/32THK., AS-568-117	1
3.2	10935/00	ESCUTCHEON, SHOWER FLANGE MIX SERIES	1
3.3	90129	O-RING, 1-9/16ID X 3/32THK, AS-568-129	1
4	4-109/00	SHOWER TRIM PLATE, PRESSURE BALANCE DIVERTED, RING, MIX	1
4.1	10959/00	SHOWER TRIM PLATE W/ DIVERTER HOLE, MIX SERIES	1
4.2	92401	BASE MOUNT, TRIM PLATE TO ESCUTCHEON	1
4.3	90029	O-RING, 1-5/8ID X 1-3/4OD X 1/16THK, AS-568-029	1
4.4	3-121/00	PB SHOWER SET, HANDLE WINDOW MIX	1
4.5	3-125/00	DIVERTER EXTENSION ASSY FOR PB TUB & SHOWER SET	1
5	11432	1.75 GPM FLOW REGULATOR	1
6	P16008/00	SHOWER ARM (8 INCH)	1

ZONE	REV.	DESCRIPTION	DATE	APPROVED
B6, E5	C	REMOVE SHANK EXTENSION, UPDATE O-RINGS & SHOWER ASSY	6/9/2021	AMM
REVISIONS				

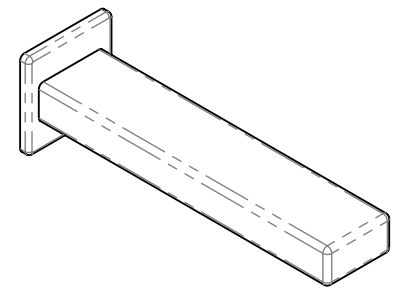
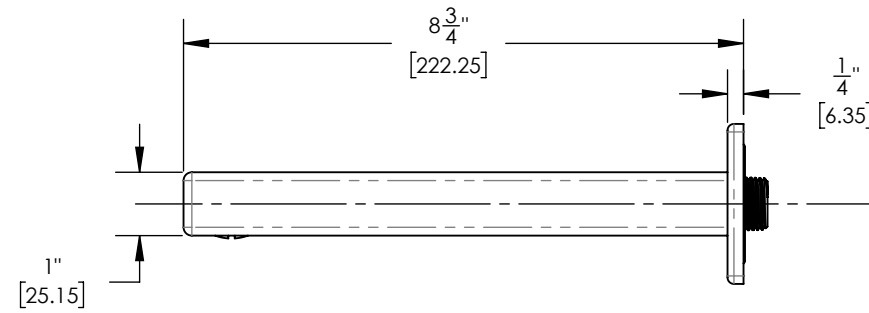
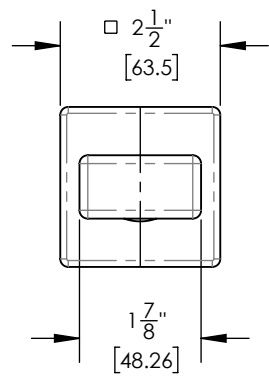
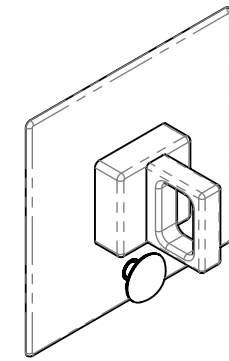
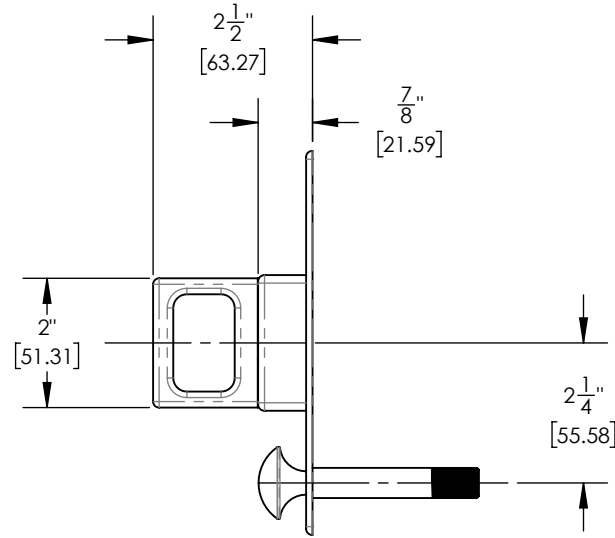
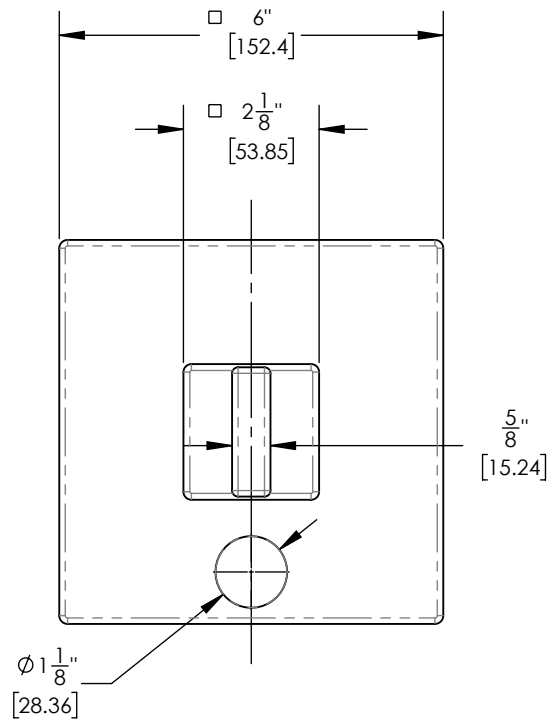
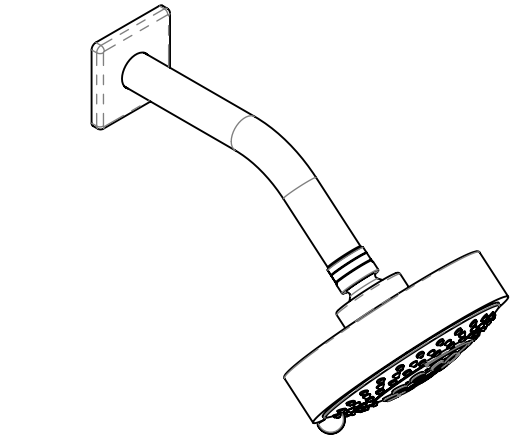
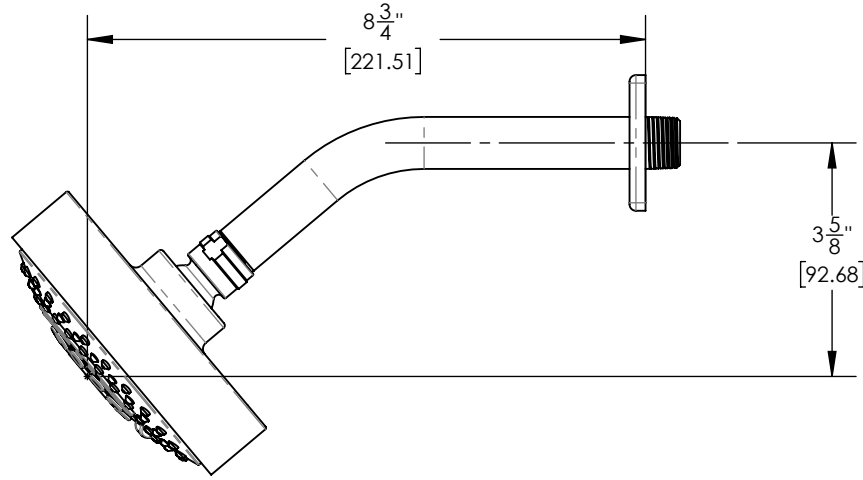
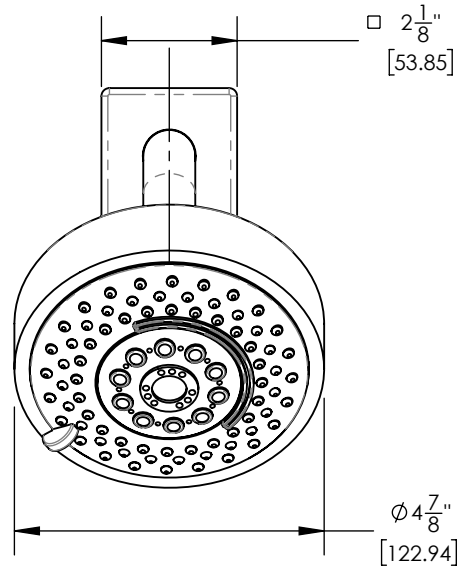
1261 LOGAN AVENUE  
 COSTA MESA, CALIFORNIA 92626  
 PHONE: 714.361.4800  
 FAX: 714.617.3120

**PHYLIRICH**<sup>®</sup>  
 Defining Luxury Since 1959

**PROPRIETARY AND CONFIDENTIAL**  
 THE INFORMATION CONTAINED IN THIS DRAWING IS THE SOLE PROPERTY OF PHYLIRICH. ANY REPRODUCTION IN PART OR AS A WHOLE WITHOUT THE WRITTEN PERMISSION OF PHYLIRICH IS PROHIBITED.  
**DO NOT SCALE DRAWING**

**SHOWER TRIM SET - PRESSURE BALANCE, TUB & SHOWER, RING, MIX**

SIZE <b>B</b>	ASM/PRT NO. 290-28/00	REV <b>C</b>
SCALE: 1:4	WEIGHT: lbs.	SHEET 1 OF 2



1261 LOGAN AVENUE COSTA MESA, CALIFORNIA 92626 PHONE: 714.361.4800 FAX: 714.617.3120	<b>PHYLIRICH</b> Defining Luxury Since 1959	<b>PROPRIETARY AND CONFIDENTIAL</b> THE INFORMATION CONTAINED IN THIS DRAWING IS THE SOLE PROPERTY OF PHYLIRICH. ANY REPRODUCTION IN PART OR AS A WHOLE WITHOUT THE WRITTEN PERMISSION OF PHYLIRICH IS PROHIBITED. <b>DO NOT SCALE DRAWING</b>	SHOWER TRIM SET - PRESSURE BALANCE, TUB & SHOWER, RING, MIX	SIZE <b>B</b>	ASM/PRT NO. <b>290-28/00</b>	REV <b>C</b>
			SCALE: 1:3	WEIGHT: lbs.	SHEET 2 OF 2	