

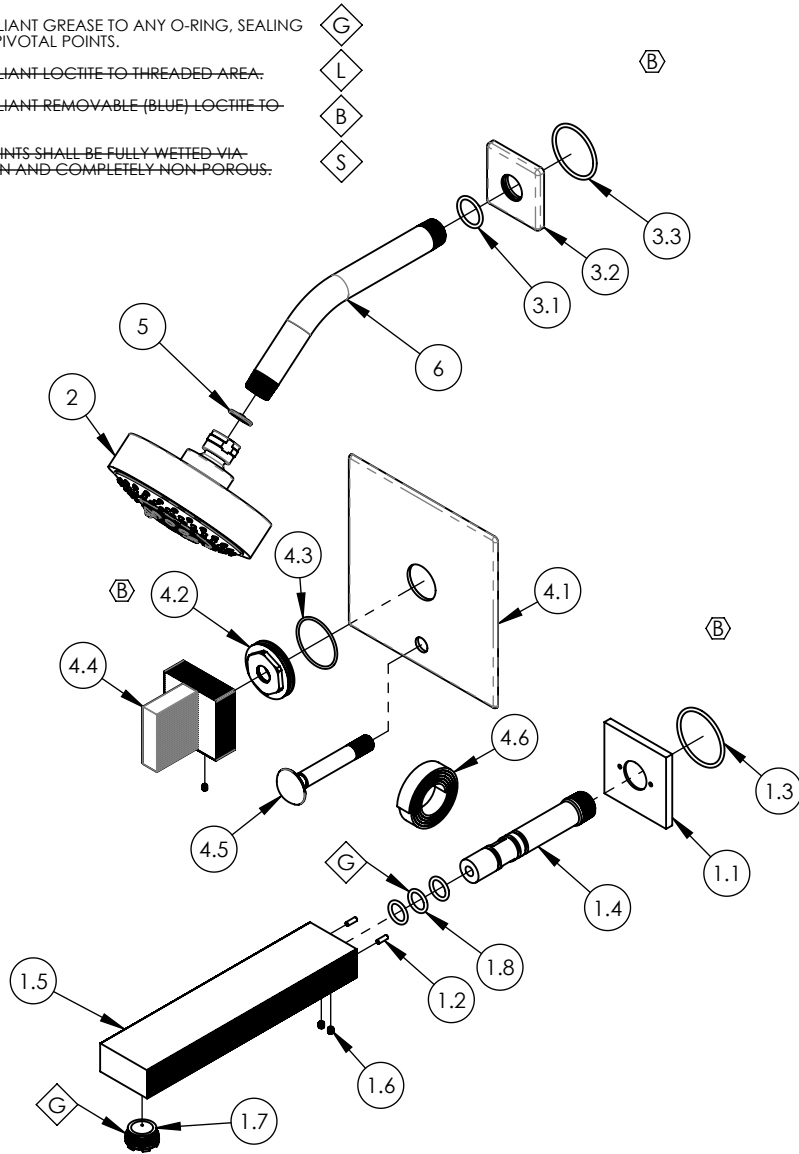
NOTE(S):  
 1. PART NUMBER, "/00" DENOTES PART SHALL HAVE FINISH.

2. APPLY NSF COMPLIANT GREASE TO ANY O-RING, SEALING JOINTS, AND/OR PIVOTAL POINTS.

3. APPLY NSF COMPLIANT LOCTITE TO THREADED AREA.

4. APPLY NSF COMPLIANT REMOVABLE (BLUE) LOCTITE TO THREADED AREA.

5. SILVER SOLDER JOINTS SHALL BE FULLY WETTED VIA CAPILLARY ACTION AND COMPLETELY NON-POROUS.



ITEM NO.	PART NUMBER	DESCRIPTION	QTY.
1	3-127/00	SPOUT, WALL TUB, 291 STRIA	1
1.1	10939/00	ESCUTCHEON, WIDESPREAD	1
1.2	92158	DOWEL PIN, 1/8" X 3/8" L	2
1.3	90131	O-RING, 1-11/16ID X 3/32THK, AS-568-131	1
1.4	10013	INJECTOR SHANK, 1/2"NPT MALE TO M16.5 CACHE W/ O-SEAL	1
1.5	11010/00	SPOUT, WALL MOUNT	1
1.6	92008	SET SCREW, CUP POINT 8-32, 3/16" L.	2
1.7	P05051	AERATOR, CACHE COINED SLOT M24X1.0 FULL FLOW	1
1.8	90113	O-RING, 9/16"ID X 3/4"OD X 3/32"THK, AS-568-113	3
2	3-454/00	SHOWER HEAD MULTI. FUNC. CONTEMP.	1
3	3-719/00	SHOWER FLANGE, MIX/ STRIA	1
3.1	90117	O-RING, 7/8"ID X 33/32"THK., AS-568-117	1
3.2	10935/00	ESCUTCHEON, SHOWER FLANGE MIX SERIES	1
3.3	90129	O-RING, 1-9/16"ID X 3/32THK, AS-568-129	1
4	4-119/00	PB PLATE W/ DIVERTER, BLADE HANDLE, STRIA	1
4.1	10959/00	SHOWER TRIM PLATE W/ DIVERTER HOLE, MIX SERIES	1
4.2	92401	BASE MOUNT, TRIM PLATE TO ESCUTCHEON	1
4.3	90029	O-RING, 1-5/8"ID X 1-3/4"OD X 1/16"THK, AS-568-029	1
4.4	3-128/00	PB SHOWER SET, BLADE EDGE SERIES	1
4.5	3-125/00	DIVERTER EXTENSION ASSY FOR PB TUB & SHOWER SET	1
4.6	90537	1/16" TAPE FOR WALL PLATE	1
5	11432	1.75 GPM FLOW REGULATOR	1
6	P16008/00	SHOWER ARM (8 INCH)	1

C3, C5, E3	B	EXPLODE VIEW, UPDATE SHOWER ASSY, TRIM PLATE ASSY, & SPOUT ASSY	6/11/2021	AMM
ZONE	REV.	DESCRIPTION	DATE	APPROVED

REVISIONS

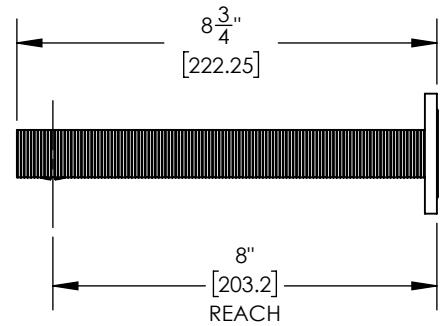
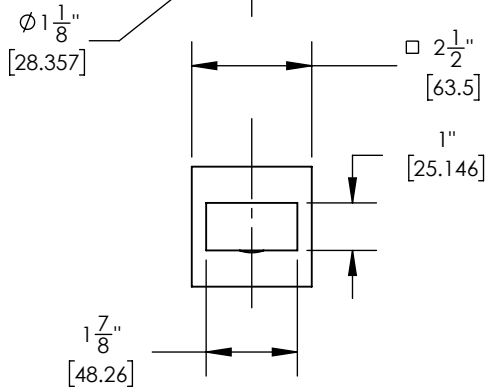
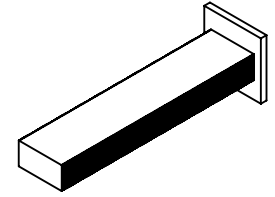
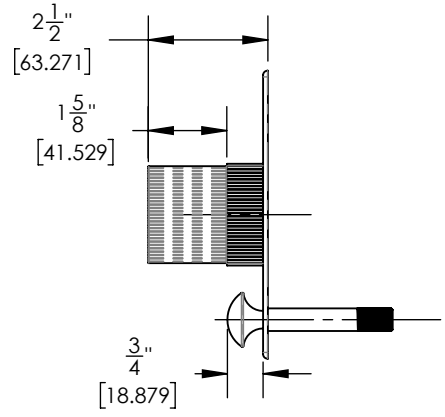
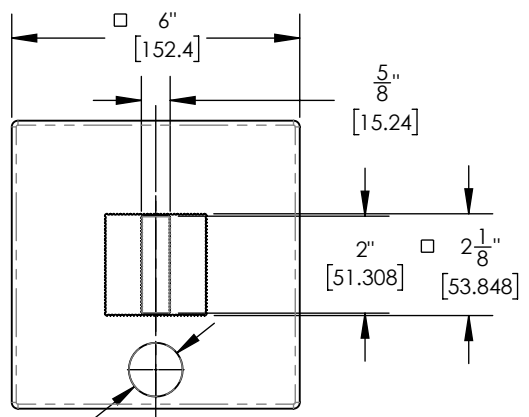
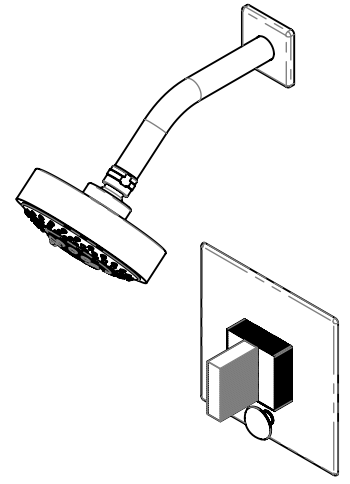
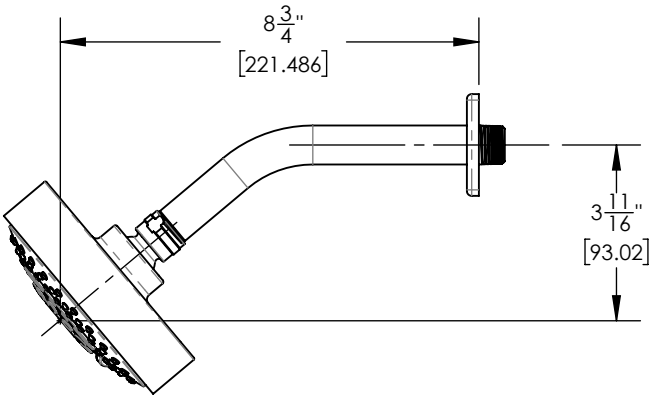
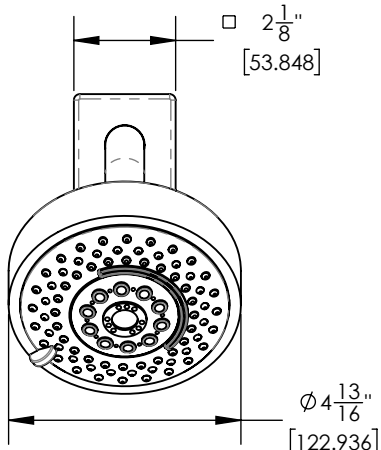
1261 LOGAN AVENUE  
 COSTA MESA, CALIFORNIA 92626  
 PHONE: 714.361.4800  
 FAX: 714.617.3120

**PHYLIRICH**  
 Defining Luxury Since 1959

**PROPRIETARY AND CONFIDENTIAL**  
 THE INFORMATION CONTAINED IN THIS DRAWING IS THE SOLE PROPERTY OF PHYLIRICH. ANY REPRODUCTION IN PART OR AS A WHOLE WITHOUT THE WRITTEN PERMISSION OF PHYLIRICH IS PROHIBITED.  
**DO NOT SCALE DRAWING**

PB SHOWER W/ DIVERTER SET TRIM, BLADE HANDLE, STRIA

SIZE <b>A</b>	ASM/PRT NO. 291-26/00	REV B
SCALE: 1:5.5	WEIGHT: lbs.	SHEET 1 OF 2



1261 LOGAN AVENUE  
COSTA MESA, CALIFORNIA 92626  
PHONE: 714.361.4800  
FAX: 714.617.3120

**PHYLIRICH**<sup>®</sup>  
Defining Luxury Since 1959

**PROPRIETARY AND CONFIDENTIAL**  
THE INFORMATION CONTAINED IN THIS DRAWING IS THE SOLE PROPERTY OF PHYLIRICH. ANY REPRODUCTION IN PART OR AS A WHOLE WITHOUT THE WRITTEN PERMISSION OF PHYLIRICH IS PROHIBITED.  
**DO NOT SCALE DRAWING**

PB SHOWER W/ DIVERTER SET TRIM, BLADE HANDLE, STRIA

SIZE <b>A</b>	ASM/PRT NO. 291-26/00	REV B
SCALE: 1:4	WEIGHT: lbs.	SHEET 2 OF 2