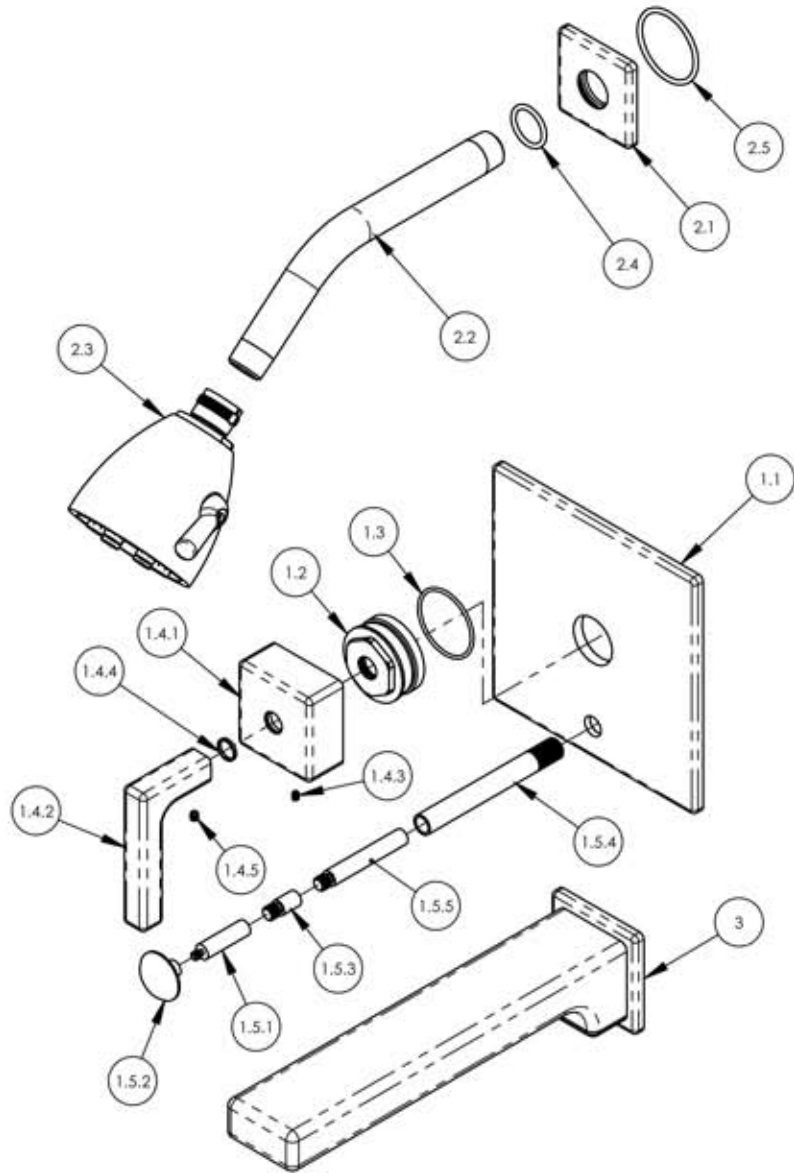


A

B

C

D



ITEM NO.	PART NUMBER	DESCRIPTION	QTY.
1	4-108/00	PB PLATE W/ DIVERTER, LEVER HANDLE, MIX SERIES	1
1.1	10959/00	SHOWER TRIM PLATE W/ DIVERTER HOLE, MIX SERIES	1
1.2	11004	SLEEVE MOUNT, WALL SHOWER	1
1.3	90029	O-RING, 1-5/8"ID X 1-3/4"OD X 1/16"THK, AS-568-029	1
1.4	3-120/00	PB SHOWER SET, HANDLE LEVER MIX SERIES	1
1.4.1	10962/00	HUB FOR SHOWER, MIX SERIES	1
1.4.2	10924/00	HANDLE, LEVER MIX SERIES	1
1.4.3	92005	SET SCREW, CUP PT 6-32UNC THREAD 3/16"L	1
1.4.4	92176	WEAR WASHER	1
1.4.5	92008	SET SCREW, CUP POINT 8-32UNC 3/16"L	1
1.5	3-125/00	EXTENSION ASSY FOR PB TUB & SHOWER SET	1
1.5.1	11008/00	DIVERTED STEM FOR PB PLATE	1
1.5.2	11006/00	PULL KNOB, DIVERTER, 10-24	1
1.5.3	11085/00	EXTENSION PIN FOR PB TUB & SHOWER SET	1
1.5.4	11009/00	EXTENSION SLEEVE FOR STEM, PB TUB & SHOWER SET	1
1.5.5	11007/00	EXTENSION PIN FOR PB TUB & SHOWER SET 1.25LONGER	1
2	4-139/00	SHOWER HEAD 8" ARM, 6 JET, SQ. WALL FLANGE, MIX STRIA SERIES	1
2.1	10935/00	ESCUTCHEON, SHOWER FLANGE MIX SERIES	1
2.2	P16008/00	SHOWER ARM (8 INCH)	1
2.3	P16014/00	K803 6 JET PLUNGER (RAW)	1
2.4	90117	O-RING, 7/8"ID X 33/32"THK., AS-568-117	1
2.5	90129	O-RING, 1-9/16"ID X 3/32"THK., AS-568-129	1
3	3-124/00	PB WALL TUB, 290 MIX SERIES	1

E

ZONE	REV.	DESCRIPTION	DATE	APPROVED
REVISIONS				
1261 LOGAN AVENUE COSTA MESA, CALIFORNIA 92626 PHONE: 714.361.4800 FAX: 714.617.3120		PHYL RICH®	PROPRIETARY AND CONFIDENTIAL <small>THE INFORMATION CONTAINED IN THIS DRAWING IS THE SOLE PROPERTY OF RSS MANUFACTURING. ANY REPRODUCTION IN PART OR AS A WHOLE WITHOUT THE WRITTEN PERMISSION OF RSS MANUFACTURING IS PROHIBITED.</small>	
Defining Luxury Since 1959				

-		-		INTERPRET GEOMETRIC DIMENSIONING & TOLERANCING IN ACCORDANCE WITH ASME Y14.5-2009 & ASME Y14.41-2003 STANDARDS, UNLESS OTHERWISE SPECIFIED. DIMENSIONS ARE IN INCHES. TOLERANCES ARE:			PB SHOWER W/ DIVERTER SET TRIM, LEVER HANDLE, MIX SERIES				
NEXT ASSY		USED ON		FRACTIONS ±1/64"	DECIMALS X.X: ±.1 X.XX: ±.01 X.XXX: ±.005	ANGULAR ±5°				SIZE	ASM/PRT NO.
APPLICATION							A	290-27/00	A		
MATERIAL										NAME	DATE
FINISH				DRAWN			MAF	2/26/2013			
DO NOT SCALE DRAWING				CHECKED			GRE	SCALE: 1:4		WEIGHT: lbs.	SHEET 1 OF 2

5

4

3

2

1