

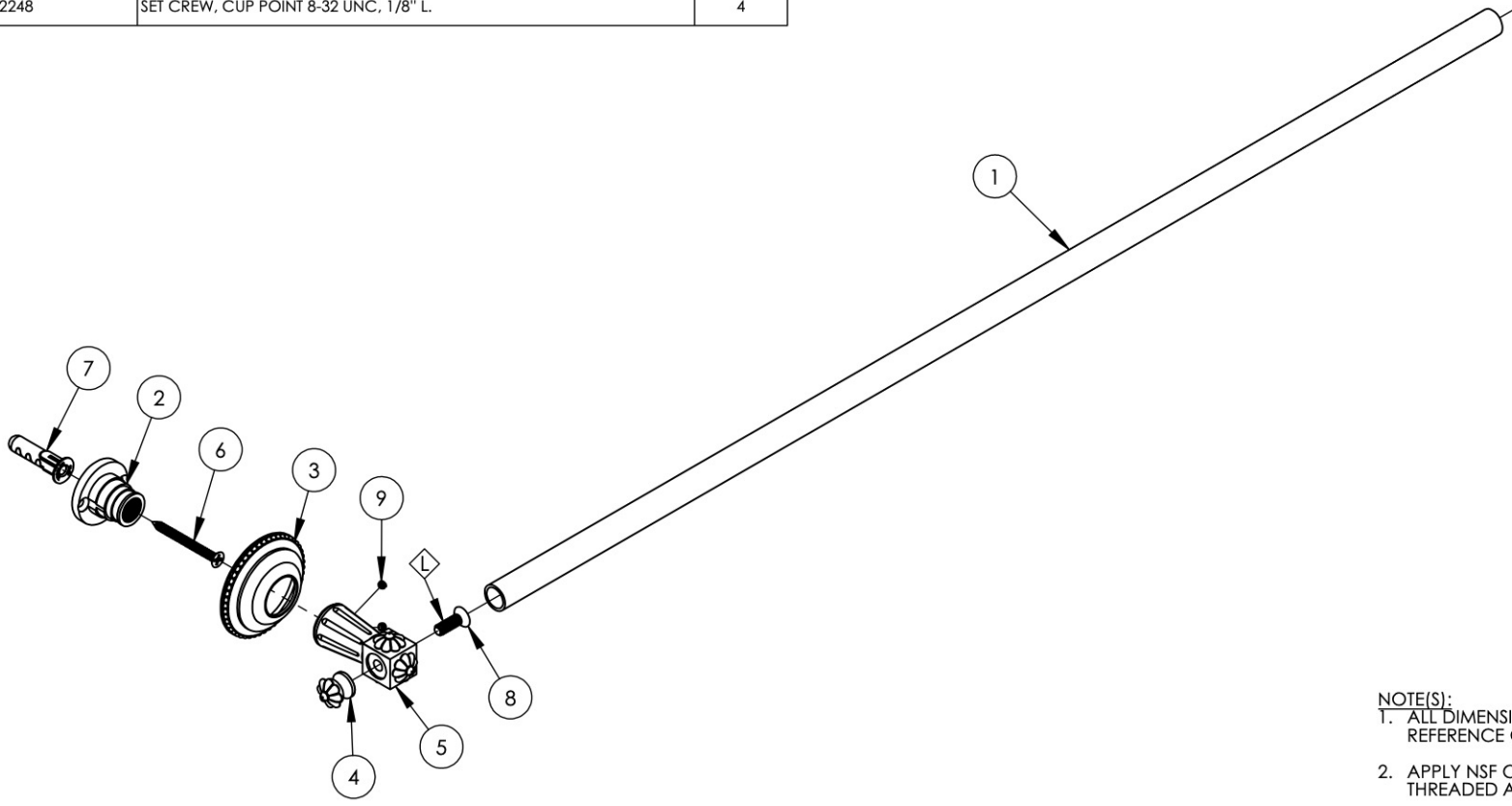
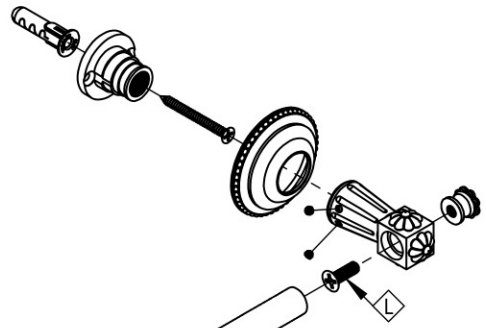
ITEM NO.	PART NUMBER	DESCRIPTION	QTY.
1	10724/00	TUBE, RND. BAR 5/8"OD X 1/2"OD X .063 THK. X 30.38	1
2	11050	MOUNTING KIT, WALL FLANGE	2
3	11267/00	ESCUTCHEON, ACCESSORIES, MARVELLE	2
4	2-112/00	SUB-ASSY. FINIAL EXTENSION BACK LEVER	2
5	2-156/00	SUB ASSY. TOWEL BAR POST, MARVELLE	2
6	92043	SCREW, FLAT HD #10 SIZE W/ #2 PHIL DRIVE, 2"L	2
7	92046	ANCHOR SCREW 3/8" HOLE, TOGGLER AF10	2
8	92238	FLAT HEAD PHILL. SCREW 1/4"-20, 3/4" L.	2
9	92248	SET CREW, CUP POINT 8-32 UNC, 1/8" L.	4

A

B

C

D



NOTE(S):
 1. ALL DIMENSIONS SHOWN ARE FOR REFERENCE ONLY

2. APPLY NSF COMPLAINT LOCTITE TO THREADED AREA.

E

ALL	A	-ASSY. UPDATED WITH SUB ASSY'S	12/7/2015	GRE
ZONE	REV.	DESCRIPTION	DATE	APPROVED

REVISIONS		PROPRIETARY AND CONFIDENTIAL
5		THE INFORMATION CONTAINED IN THIS DRAWING IS THE SOLE PROPERTY OF RSS MANUFACTURING. ANY REPRODUCTION IN PART OR AS A WHOLE WITHOUT THE WRITTEN PERMISSION OF RSS MANUFACTURING IS PROHIBITED.
4		

NEXT ASSY		USED ON		INTERPRET GEOMETRIC DIMENSIONING & TOLERANCING IN ACCORDANCE WITH ASME Y14.5-2009 & ASME Y14.41-2003 STANDARDS, UNLESS OTHERWISE SPECIFIED. DIMENSIONS ARE IN INCHES. TOLERANCES ARE:		
APPLICATION		FRACTIONS	DECIMALS	ANGULAR		
MATERIAL		±1/64"	X.X: ±.1	±.5°		
FINISH			X.XX: ±.01			
DRAWN		NAME	DATE			
CHECKED		GRE	6/1/2015			
DO NOT SCALE DRAWING						

30" TOWEL BAR, MARVELLE SERIES

SIZE	ASM/PRT NO.	REV
A	162-72/00	A
SCALE: 1:4	WEIGHT: lbs.	SHEET 1 OF 2

1261 LOGAN AVENUE
 COSTA MESA, CALIFORNIA 92626
 PHONE: 714.361.4800
 FAX: 714.617.3120



RSS MANUFACTURING