

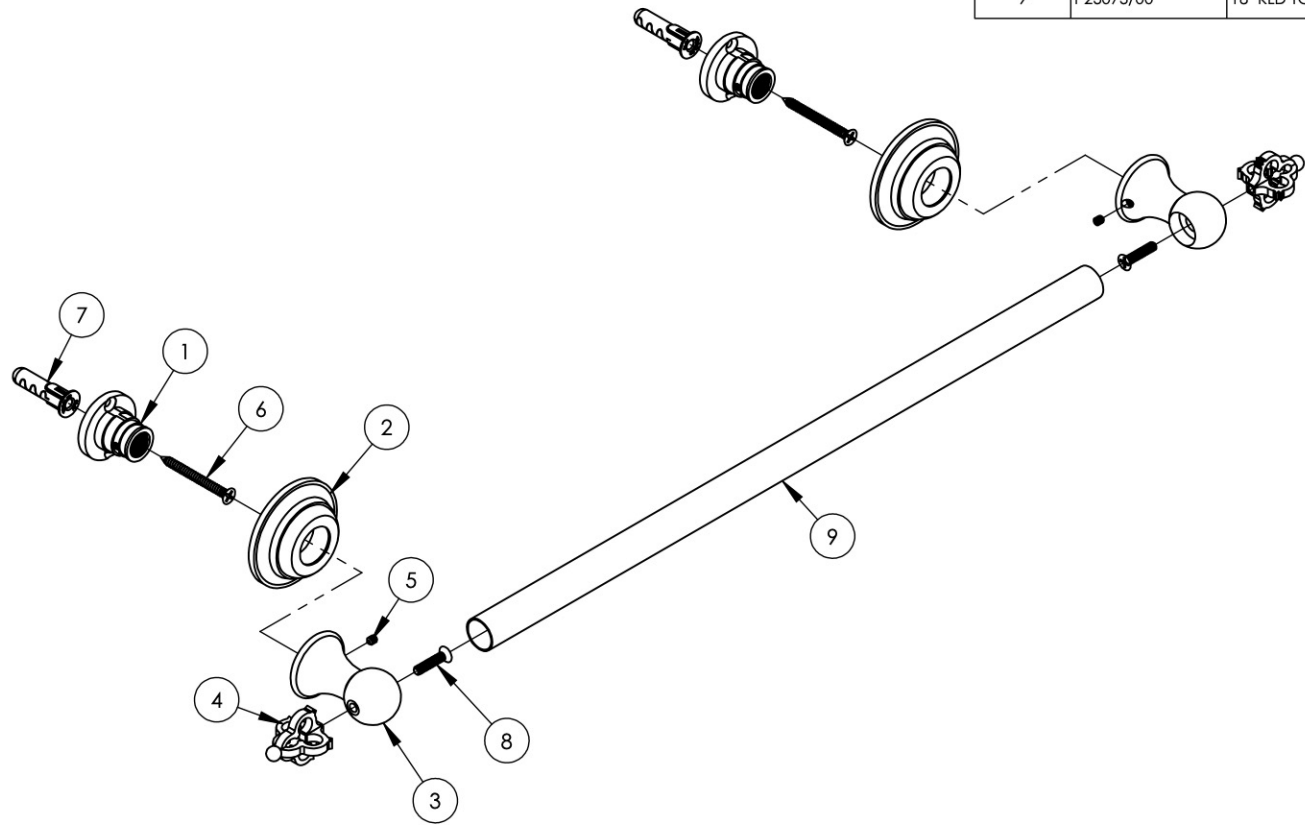
ITEM NO.	PART NUMBER	DESCRIPTION	QTY.
1	11050	MOUNTING KIT, WALL FLANGE	2
2	11277/00	ESCUTCHEON, ACCESSORIES, MAISON	2
3	11282/00	POST, TOWEL BAR, MAISON SERIES3/4"	2
4	2-039/00	ASSY, POP-UP COURONNE SERIES	2
5	92008	SET SCREW, CUP POINT 8-32	2
6	92043	SCREW, FLAT HD #10 SIZE W/ #2 PHIL DRIVE, 2"L	2
7	92046	ANCHOR SCREW 3/8" HOLE, TOGGLER AF10	2
8	92249	FLAT HD. PHILLIPS, 10-24 7/8" LONG	2
9	P23073/00	18" KLD TOWEL BAR	1

A

B

C

D



E

ZONE	REV.	DESCRIPTION	DATE	APPROVED
REVISIONS				

NEXT ASSY	USED ON
-	-

MATERIAL	APPLICATION
-	-

FINISH	DRAWN	LLO	DATE
-	GRE	10/21/2015	

DO NOT SCALE DRAWING	CHECKED	GRE

INTERPRET GEOMETRIC DIMENSIONING & TOLERANCING IN ACCORDANCE WITH ASME Y14.5-2009 & ASME Y14.41-2003 STANDARDS. UNLESS OTHERWISE SPECIFIED, DIMENSIONS ARE IN INCHES. TOLERANCES ARE:

FRACTIONS	DECIMALS	ANGULAR
±1/64"	X.X: ±.1 X.XX: ±.01 X.XXX: ±.005	±.5°

18" TOWEL BAR, COURONNE SERIES

SIZE	ASM/PRT NO.	REV
A	163-70/00	-

SCALE	WEIGHT	SHEET
1:4	lbs.	1 OF 2

1261 LOGAN AVENUE
COSTA MESA, CALIFORNIA 92626
PHONE: 714.361.4800
FAX: 714.617.3120



PROPRIETARY AND CONFIDENTIAL
THE INFORMATION CONTAINED IN THIS DRAWING IS THE SOLE PROPERTY OF RSS MANUFACTURING. ANY REPRODUCTION IN PART OR AS A WHOLE WITHOUT THE WRITTEN PERMISSION OF RSS MANUFACTURING IS PROHIBITED.

5

4

3

2

1