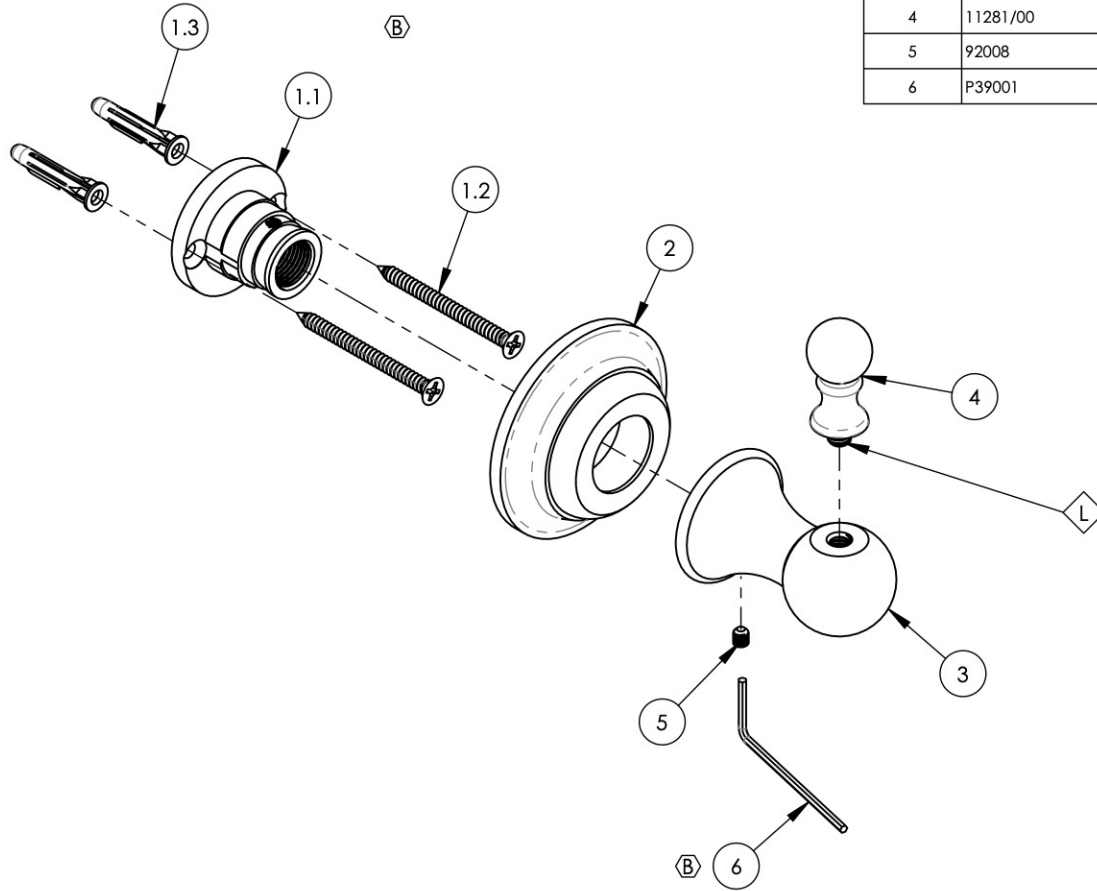


ITEM NO.	PART NUMBER	DESCRIPTION	QTY.
1	2-103	MOUNTING KIT WITH ADJUSTABLE THREADED PIN	1
1.1	11050	MOUNTING KIT, WALL FLANGE	1
1.2	92234	SCREW FOR WOOD, PHIL. NO. 8 X 1-1/2"L	2
1.3	92235	ANCHOR FOR DRYWALL, TWIST-ACTION NO. 6-8 SIZE	2
2	11277/00	ESCUTCHEON, ACCESSORIES, MAISON	1
3	11278/00	POST, GARMENT HOOK, MAISON SERIES	1
4	11281/00	ROBE HOOK, COURONNE SERIES	1
5	92008	SET SCREW, CUP POINT 8-32, 3/16" L.	1
6	P39001	HEX KEY 5/64, FOR 8-32 SET SCREW	1

NOTE(S):

1. APPLY NSF COMPLIANT LOCTITE TO THREADED AREA.



ALL	B	ADD NEW MOUNTING KIT, UPDATE TEMPLATE, ADD HEX KEY & CALL OUTS	8/3/2020	AMM
ZONE	REV.	DESCRIPTION	DATE	APPROVED
REVISIONS				

1261 LOGAN AVENUE
COSTA MESA, CALIFORNIA 92626
PHONE: 714.361.4800
FAX: 714.617.3120

PHYL RICH[®]
Defining Luxury Since 1959

PROPRIETARY AND CONFIDENTIAL

THE INFORMATION CONTAINED IN THIS DRAWING IS THE SOLE PROPERTY OF PHYL RICH. ANY REPRODUCTION IN PART OR AS A WHOLE WITHOUT THE WRITTEN PERMISSION OF PHYL RICH IS PROHIBITED.

-	-	INTERPRET GEOMETRIC DIMENSIONING & TOLERANCING IN ACCORDANCE WITH ASME Y14.5-2009 & ASME Y14.41-2003 STANDARDS, UNLESS OTHERWISE SPECIFIED. DIMENSIONS ARE IN INCHES. TOLERANCES ARE:		
NEXT ASSY	USED ON	FRACTIONS ±1/16"	DECIMALS X.X: ±.1 X.XX: ±.01 X.XXX: ±.005	ANGULAR ±2°
APPLICATION		MATERIAL	NAME	DATE
FINISH		DRAWN	LLO	4/7/2015
DO NOT SCALE DRAWING		CHECKED	GRE	

ROBE HOOK, MAISON

SIZE	ASM/PRT NO.	REV
A	164-76/00	B
SCALE: 1:2	WEIGHT: lbs.	SHEET 1 OF 2