

5

4

3

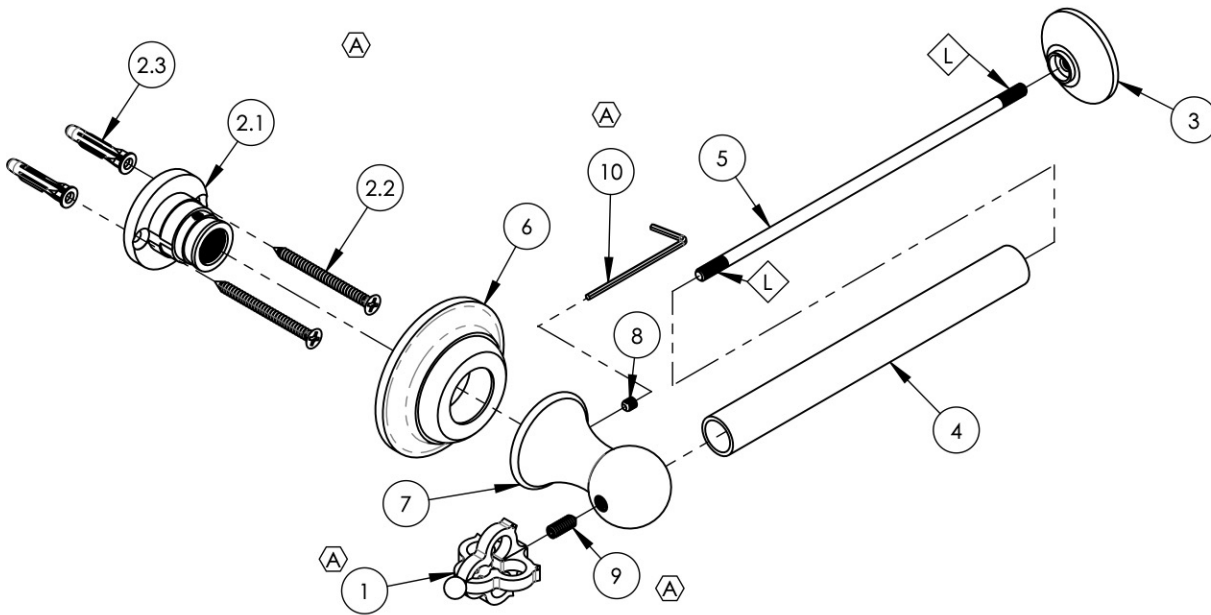
2

1

NOTE(S):

- 1. APPLY NSF COMPLIANT LOCTITE TO THREADED AREA. 

ITEM NO.	PART NUMBER	DESCRIPTION	QTY.
1	2-039/00	ASSY, POP-UP COURONNE SERIES	1
2	2-103	MOUNTING KIT WITH ADJUSTABLE THREADED PIN	1
2.1	11050	MOUNTING KIT, WALL FLANGE	1
2.2	92234	SCREW FOR WOOD, PHIL, NO. 8 X 1-1/2"L	2
2.3	92235	ANCHOR FOR DRYWALL, TWIST-ACTION NO. 6-8 SIZE	2
3	11057/00	TP HOLDER, FINIAL. HEX MODERN 501 SERIES	1
4	11059/00	BAR TUBE FOR TP HOLDER, 501 SERIES	1
5	11061	3/16" DIA. ROD WITH THREAD FOR TP HOLDER	1
6	11277/00	ESCUTCHEON, ACCESSORIES, MAISON	1
7	11283/00	TP POST, MAISON SERIES	1
8	92008	SET SCREW, CUP POINT 8-32, 3/16" L.	1
9	92408	SET SCREW, CONE POINT, 10-24 UNC-2A, 1/2" L	1
10	P39001	HEX KEY 5/64, FOR 8-32 SET SCREW	1



ALL	REV.	DESCRIPTION	DATE	APPROVED
A		UPDATE TEMPLATE, ADD HEX KEY, CALL OUTS, ADD SET SCREW & FINIAL END, NEW MOUNTING HARDWARE	7/30/2020	AMM
REVISIONS				

1261 LOGAN AVENUE
COSTA MESA, CALIFORNIA 92626
PHONE: 714.361.4800
FAX: 714.617.3120

PHYL RICH[®]
Defining Luxury Since 1959

PROPRIETARY AND CONFIDENTIAL
THE INFORMATION CONTAINED IN THIS DRAWING IS THE SOLE PROPERTY OF PHYL RICH. ANY REPRODUCTION IN PART OR AS A WHOLE WITHOUT THE WRITTEN PERMISSION OF PHYL RICH IS PROHIBITED.

-	-	INTERPRET GEOMETRIC DIMENSIONING & TOLERANCING IN ACCORDANCE WITH ASME Y14.5-2009 & ASME Y14.41-2003 STANDARDS, UNLESS OTHERWISE SPECIFIED. DIMENSIONS ARE IN INCHES. TOLERANCES ARE:		
NEXT ASSY	USED ON	FRACTIONS ±1/16"	DECIMALS X.X: ±.1 X.XX: ±.01 X.XXX: ±.005	ANGULAR ±2°
APPLICATION		MATERIAL	NAME	DATE
FINISH		DRAWN	LLO	10/21/2015
DO NOT SCALE DRAWING		CHECKED	GRE	

**SINGLE POST PAPER HOLDER,
COURONNE**

SIZE	ASM/PRT NO.	REV
A	163-74/00	A
SCALE: 1:2.75	WEIGHT: lbs.	SHEET 1 OF 2

5

4

3

2

1