

5

4

3

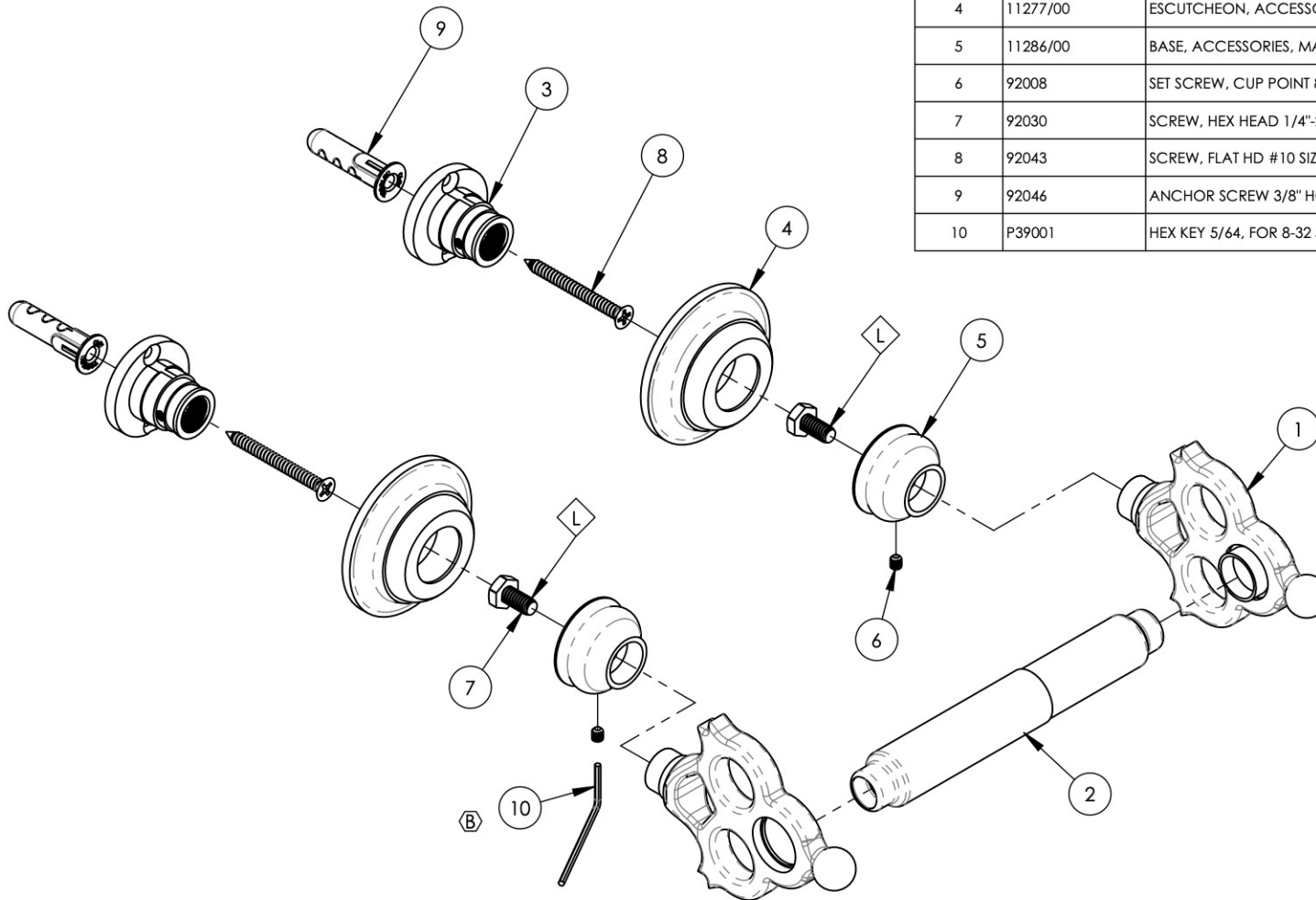
2

1

NOTE(S):

1. APPLY NSF COMPLIANT LOCTITE TO THREADED AREA. L

ITEM NO.	PART NUMBER	DESCRIPTION	QTY.
1	2-147/00	SUB ASSY. PAPER HOLDER, MAISON	2
2	3-055/00	TP ROLL SPRING HOLDER	1
3	11050	MOUNTING KIT, WALL FLANGE	2
4	11277/00	ESCUTCHEON, ACCESSORIES, MAISON	2
5	11286/00	BASE, ACCESSORIES, MAISON SERIES	2
6	92008	SET SCREW, CUP POINT 8-32, 3/16" L.	2
7	92030	SCREW, HEX HEAD 1/4"-20 THRD, 7/16"L	2
8	92043	SCREW, FLAT HD #10 SIZE W/ #2 PHIL DRIVE, 2"L	2
9	92046	ANCHOR SCREW 3/8" HOLE, TOGGLER AF10	2
10	P39001	HEX KEY 5/64, FOR 8-32 SET SCREW	1



ALL	B	UPDATE TEMPLATE, ADD CALL OUTS, ADD HEX KEY	8/3/2020	AMM
ZONE	REV.	DESCRIPTION	DATE	APPROVED
REVISIONS				

1261 LOGAN AVENUE
COSTA MESA, CALIFORNIA 92626
PHONE: 714.361.4800
FAX: 714.617.3120

PHYLIRICH[®]
Defining Luxury Since 1959

PROPRIETARY AND CONFIDENTIAL
THE INFORMATION CONTAINED IN THIS DRAWING IS THE SOLE PROPERTY OF PHYLIRICH. ANY REPRODUCTION IN PART OR AS A WHOLE WITHOUT THE WRITTEN PERMISSION OF PHYLIRICH IS PROHIBITED.

-	-	INTERPRET GEOMETRIC DIMENSIONING & TOLERANCING IN ACCORDANCE WITH ASME Y14.5-2009 & ASME Y14.41-2003 STANDARDS, UNLESS OTHERWISE SPECIFIED. DIMENSIONS ARE IN INCHES. TOLERANCES ARE:		
NEXT ASSY	USED ON	FRACTIONS ±1/16"	DECIMALS X.X: ±.1 X.XX: ±.01 X.XXX: ±.005	ANGULAR ±2°
MATERIAL	APPLICATION	NAME	DATE	
FINISH	DRAWN	LLO	4/6/2015	
DO NOT SCALE DRAWING	CHECKED	GRE		

PAPER HOLDER, MAISON

SIZE	ASM/PRT NO.	REV
A	164-73/00	B
SCALE: 1:2.5	WEIGHT: lbs.	SHEET 1 OF 2

5

4

3

2

1