

5

4

3

2

1

E

E

D

D

C

C

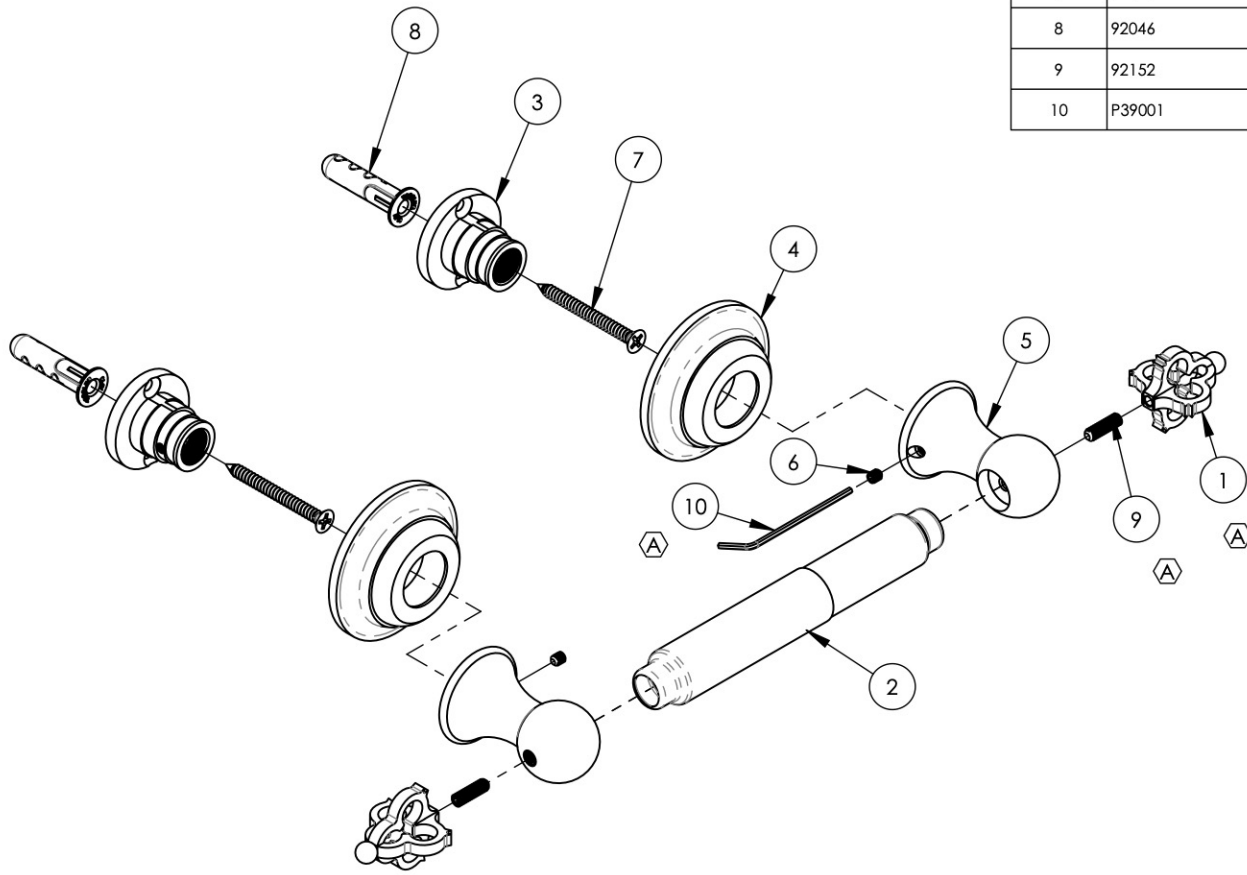
B

B

A

A

ITEM NO.	PART NUMBER	DESCRIPTION	QTY.
1	2-039/00	ASSY, POP-UP COURONNE SERIES	2
2	3-055/00	TP ROLL SPRING HOLDER	1
3	11050	MOUNTING KIT, WALL FLANGE	2
4	11277/00	ESCUTCHEON, ACCESSORIES, MAISON	2
5	11283/00	TP POST, MAISON SERIES	2
6	92008	SET SCREW, CUP POINT 8-32, 3/16" L.	2
7	92043	SCREW, FLAT HD #10 SIZE W/ #2 PHIL DRIVE, 2"L	2
8	92046	ANCHOR SCREW 3/8" HOLE, TOGGLER AF10	2
9	92152	SET SCREW, CUP PT. 10-24 UNC X 5/8"L	2
10	P39001	HEX KEY 5/64, FOR 8-32 SET SCREW	1



ALL	REV.	DESCRIPTION	DATE	APPROVED
A		UPDATE TEMPLATE, ADD HEX KEY, ADD SET SCREWS & FINIAL ENDS	7/30/2020	AMM
REVISIONS				

1261 LOGAN AVENUE
 COSTA MESA, CALIFORNIA 92626
 PHONE: 714.361.4800
 FAX: 714.617.3120

PHYLIRICH[®]
 Defining Luxury Since 1959

PROPRIETARY AND CONFIDENTIAL
 THE INFORMATION CONTAINED IN THIS DRAWING IS THE SOLE PROPERTY OF PHYLIRICH. ANY REPRODUCTION IN PART OR AS A WHOLE WITHOUT THE WRITTEN PERMISSION OF PHYLIRICH IS PROHIBITED.

-		INTERPRET GEOMETRIC DIMENSIONING & TOLERANCING IN ACCORDANCE WITH ASME Y14.5-2009 & ASME Y14.41-2003 STANDARDS. UNLESS OTHERWISE SPECIFIED, DIMENSIONS ARE IN INCHES. TOLERANCES ARE:		
NEXT ASSY	USED ON	FRACTIONS ±1/16"	DECIMALS X.X: ±.1 X.XX: ±.01 X.XXX: ±.005	ANGULAR ±2°
APPLICATION		NAME	DATE	
MATERIAL		DRAWN	LLO	10/21/2015
FINISH		CHECKED	GRE	
DO NOT SCALE DRAWING				

PAPER HOLDER, COURONNE

SIZE	ASM/PRT NO.	REV
A	163-73/00	A
SCALE: 1:2.75	WEIGHT: lbs.	SHEET 1 OF 2

5

4

3

2

1