

5

4

3

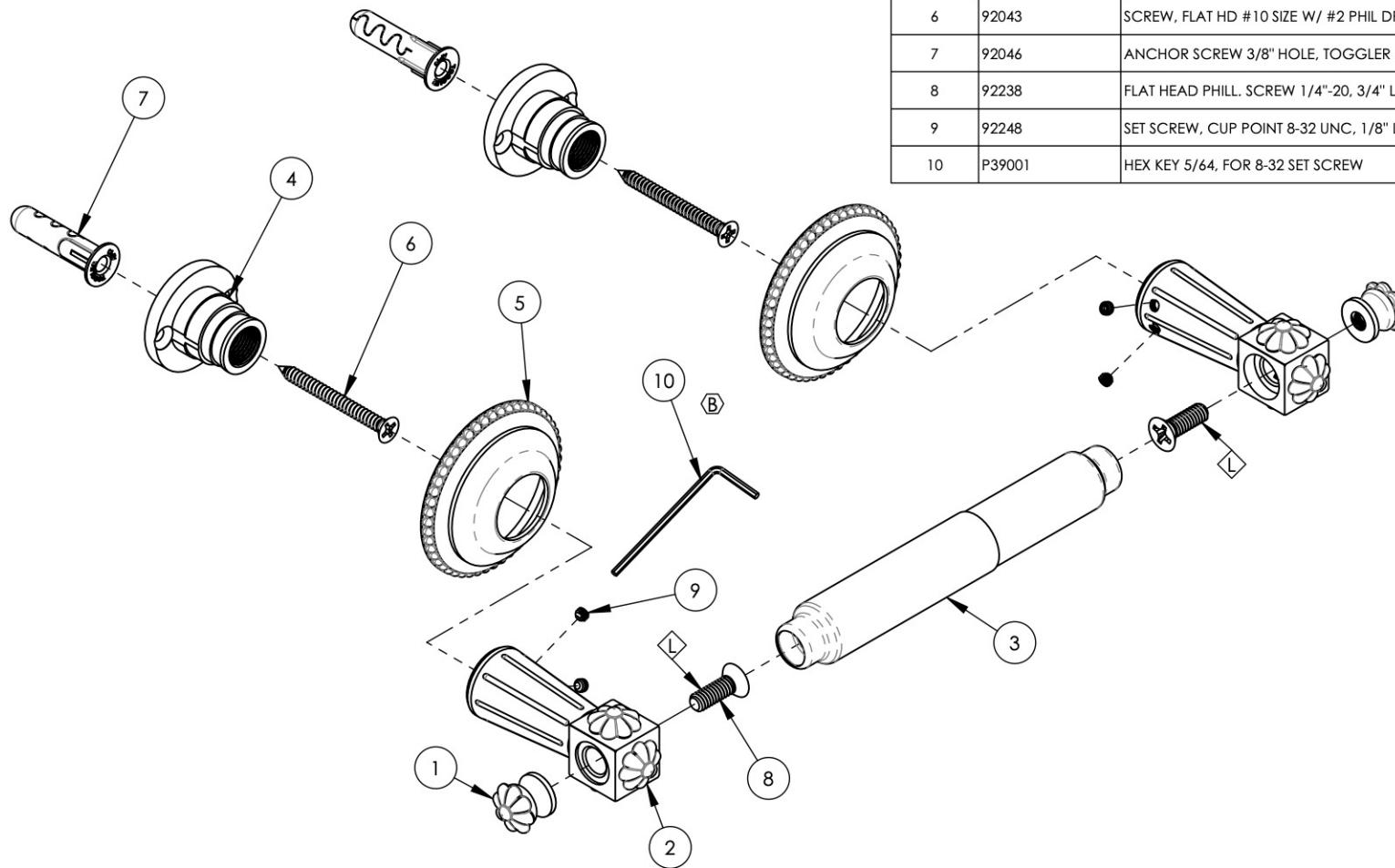
2

1

NOTE(S):
1. APPLY NSF COMPLIANT LOCTITE TO THREADED AREA.



| ITEM NO. | PART NUMBER | DESCRIPTION | QTY. |
|----------|-------------|---|------|
| 1 | 2-112/00 | SUB-ASSY. FINIAL EXTENSION BACK LEVER | 2 |
| 2 | 2-156/00 | SUB ASSY. TOWEL BAR POST, MARVELLE | 2 |
| 3 | 3-055/00 | TP ROLL SPRING HOLDER | 1 |
| 4 | 11050 | MOUNTING KIT, WALL FLANGE | 2 |
| 5 | 11267/00 | ESCUTCHEON, ACCESSORIES, MARVELLE | 2 |
| 6 | 92043 | SCREW, FLAT HD #10 SIZE W/ #2 PHIL DRIVE, 2"L | 2 |
| 7 | 92046 | ANCHOR SCREW 3/8" HOLE, TOGGLER AF10 | 2 |
| 8 | 92238 | FLAT HEAD PHILL. SCREW 1/4"-20, 3/4" L. | 2 |
| 9 | 92248 | SET SCREW, CUP POINT 8-32 UNC, 1/8" L. | 4 |
| 10 | P39001 | HEX KEY 5/64, FOR 8-32 SET SCREW | 1 |



| ZONE | REV. | DESCRIPTION | DATE | APPROVED |
|-----------|------|------------------------------|-----------|----------|
| C3 | B | UPDATE TEMPLATE. ADD HEX KEY | 7/29/2020 | AMM |
| REVISIONS | | | | |

1261 LOGAN AVENUE
COSTA MESA, CALIFORNIA 92626
PHONE: 714.361.4800
FAX: 714.617.3120

PHYLIRICH[®]
Defining Luxury Since 1959

PROPRIETARY AND CONFIDENTIAL
THE INFORMATION CONTAINED IN THIS DRAWING IS THE SOLE PROPERTY OF PHYLIRICH. ANY REPRODUCTION IN PART OR AS A WHOLE WITHOUT THE WRITTEN PERMISSION OF PHYLIRICH IS PROHIBITED.

| | | | | |
|----------------------|---------|---|--|----------------|
| - | - | INTERPRET GEOMETRIC DIMENSIONING & TOLERANCING IN ACCORDANCE WITH ASME Y14.5-2009 & ASME Y14.41-2003 STANDARDS. UNLESS OTHERWISE SPECIFIED, DIMENSIONS ARE IN INCHES. TOLERANCES ARE: | | |
| NEXT ASSY | USED ON | FRACTIONS ±1/16" | DECIMALS X.X: ±.1 X.XX: ±.01 X.XXX: ±.005 | ANGULAR ±2° |
| APPLICATION | | MATERIAL | NAME | DATE |
| FINISH | | DRAWN | LLO | 10/20/2015 |
| DO NOT SCALE DRAWING | | CHECKED | GRE | |

PAPER HOLDER, DOUBLE POST, MARVELLE

| | | |
|----------|-------------|----------|
| SIZE | ASM/PRT NO. | REV |
| A | 162-73/00 | B |

SCALE: 1:2.25 WEIGHT: lbs. SHEET 1 OF 2

5

4

3

2

1