

5

4

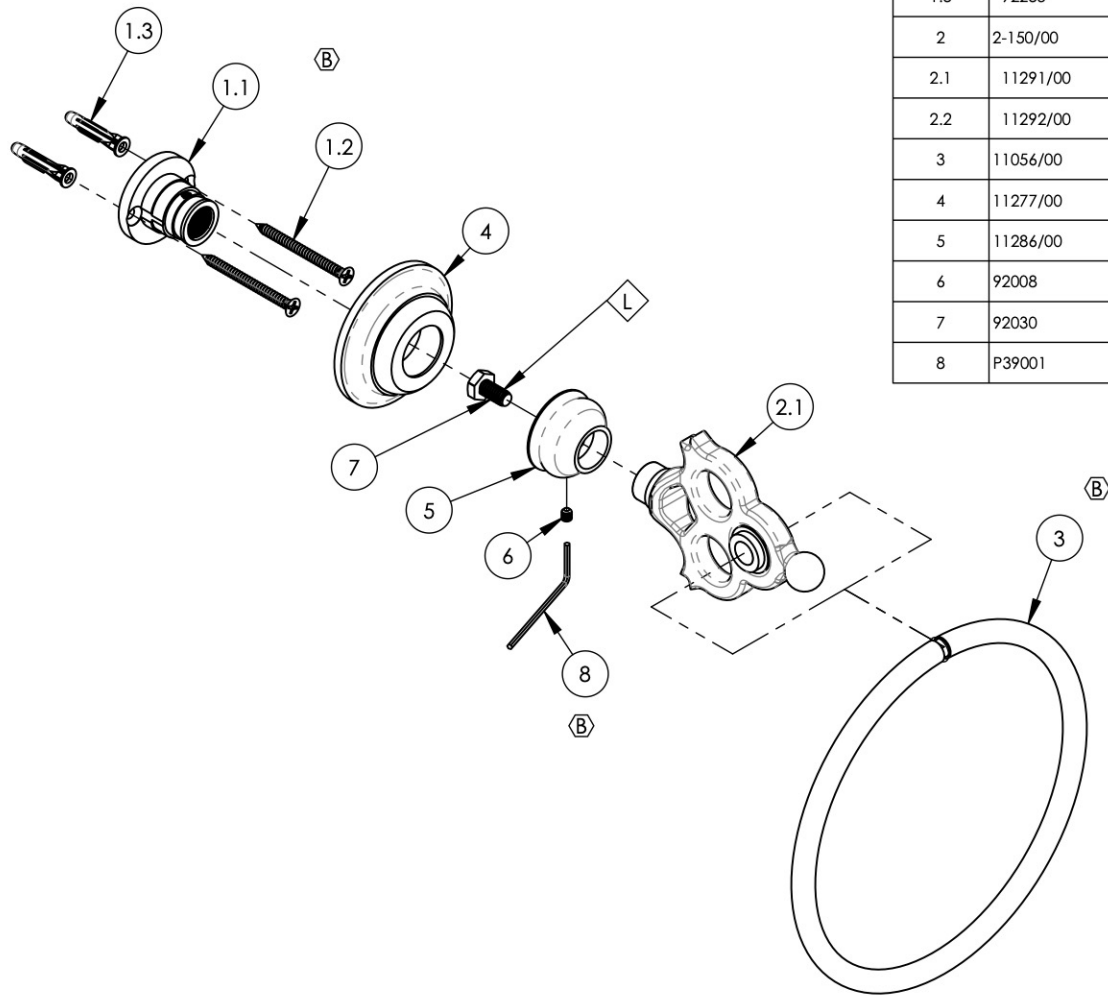
3

2

1

NOTE(S):

1. APPLY NSF COMPLIANT LOCTITE TO THREADED AREA. L



ITEM NO.	PART NUMBER	DESCRIPTION	QTY.
1	2-103	MOUNTING KIT WITH ADJUSTABLE THREADED PIN	1
1.1	11050	MOUNTING KIT, WALL FLANGE	1
1.2	92234	SCREW FOR WOOD, PHIL, NO. 8 X 1-1/2"L	2
1.3	92235	ANCHOR FOR DRYWALL, TWIST-ACTION NO. 6-8 SIZE	2
2	2-150/00	SUB ASSY. TOWEL RING, MAISON	1
2.1	11291/00	POST, TOWEL RING, MAISON	1
2.2	11292/00	CAP, TOWEL RING, MAISON SERIES	1
3	11056/00	6" TOWEL RING	1
4	11277/00	ESCUTCHEON, ACCESSORIES, MAISON	1
5	11286/00	BASE, ACCESSORIES, MAISON SERIES	1
6	92008	SET SCREW, CUP POINT 8-32, 3/16" L.	1
7	92030	SCREW, HEX HEAD 1/4"-20 THRD, 7/16"L	1
8	P39001	HEX KEY 5/64, FOR 8-32 SET SCREW	1

ALL	B	UPDATE MOUNTING KIT, TEMPLATE, TOWEL RING, ADD HEX KEY & CALL OUT	8/3/2020	AMM
ZONE	REV.	DESCRIPTION	DATE	APPROVED
REVISIONS				

1261 LOGAN AVENUE
 COSTA MESA, CALIFORNIA 92626
 PHONE: 714.361.4800
 FAX: 714.617.3120

PHYLIRICH[®]
 Defining Luxury Since 1959

PROPRIETARY AND CONFIDENTIAL
 THE INFORMATION CONTAINED IN THIS DRAWING IS THE SOLE PROPERTY OF PHYLIRICH. ANY REPRODUCTION IN PART OR AS A WHOLE WITHOUT THE WRITTEN PERMISSION OF PHYLIRICH IS PROHIBITED.

-	-	INTERPRET GEOMETRIC DIMENSIONING & TOLERANCING IN ACCORDANCE WITH ASME Y14.5-2009 & ASME Y14.41-2003 STANDARDS, UNLESS OTHERWISE SPECIFIED. DIMENSIONS ARE IN INCHES. TOLERANCES ARE:		
NEXT ASSY	USED ON	FRACTIONS ±1/16"	DECIMALS X.X: ±.1 X.XX: ±.01 X.XXX: ±.005	ANGULAR ±2°
MATERIAL	APPLICATION	NAME	DATE	
FINISH	DRAWN	LLO	4/6/2015	
DO NOT SCALE DRAWING	CHECKED	GRE		

TOWEL RING, MAISON

SIZE	ASM/PRT NO.	REV
A	164-75/00	B
SCALE: 1:3	WEIGHT: lbs.	SHEET 1 OF 2

5

4

3

2

1