

NOTE(S):  
 1. PART NUMBER, "/00" DENOTES PART SHALL HAVE FINISH.

2. APPLY NSF COMPLIANT GREASE TO ANY O-RING, SEALING JOINTS, AND/OR PIVOTAL POINTS.

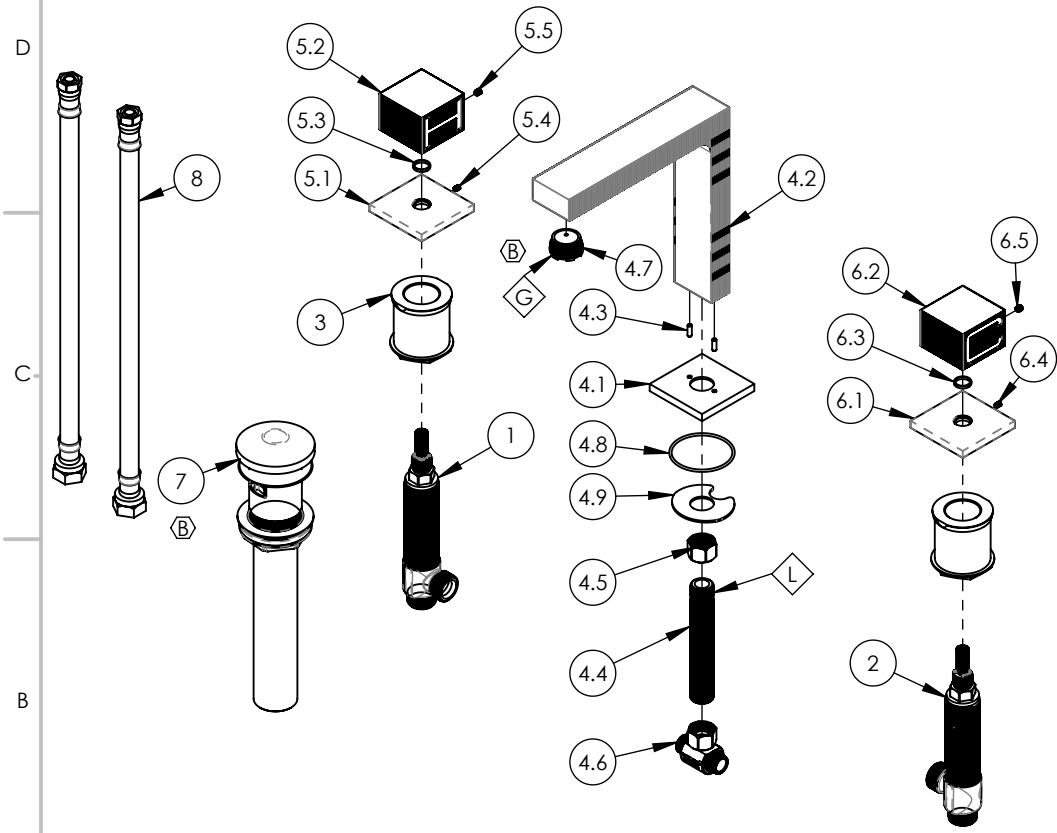
3. APPLY NSF COMPLIANT LOCTITE TO THREADED AREA.

4. APPLY NSF COMPLIANT REMOVABLE (BLUE) LOCTITE TO THREADED AREA.

5. SILVER SOLDER JOINTS SHALL BE FULLY WETTED VIA CAPILLARY ACTION AND COMPLETELY NON-POROUS.



ITEM NO.	PART NUMBER	DESCRIPTION	QTY.
1	1-149	WIDESPREAD VALVE LAV 16PT, HOT, ONLY	1
2	1-150	WIDESPREAD VALVE LAV 16PT, COLD, ONLY	1
3	2-092	RECESSED MOUNTING KIT FOR WIDESPREAD	2
4	3-104/00	ASSY, SPOUT WIDESPREAD LAV RIBBED HIGH	1
4.1	10938/00	ESCUTCHEON, SPOUT LAV EDGE SERIES	1
4.2	10945/00	SPOUT, WIDESPREAD LAV HIGH EDGE	1
4.3	92158	DOWEL PIN, 1/8" X 3/8"L	2
4.4	10745	THREAD ALL, 3/8"-18 NPSL - 3/8"NPT	1
4.5	10746	NUT, 3/8"-18 NPSL	1
4.6	1-112	TEE VALVE, 3/8" NPSM X 3/8" COMPRESSION	1
4.7	11427	AERATOR, CACHE REG, PINK 1.2 GPM, M24X1.0, NEOPERL # 40.2360.010	1
4.8	90031	O-RING, 1-3/4"ID X 1/16"THK, AS-568-031	1
4.9	92174	WASHER MOUNT WIDESPREAD (3/8")	1
5	3-110/00	ASSY, HANDLE RIBBED CUBE HOT	1
5.1	10937/00	ESCUTCHEON, HANDLE EDGE SERIES	1
5.2	10931/00	HANDLE, "H" SQUARE/CUBE EDGE SERIES	1
5.3	92176	WEAR WASHER	1
5.4	92005	SET SCREW, CUP PT 6-32 UNC THREAD 3/16"L	1
5.5	92008	SET SCREW, CUP POINT 8-32, 3/16" L.	1
6	3-111/00	ASSY, HANDLE RIBBED CUBE COLD	1
6.1	10937/00	ESCUTCHEON, HANDLE EDGE SERIES	1
6.2	10930/00	HANDLE, "C" SQUARE/CUBE EDGE SERIES	1
6.3	92176	WEAR WASHER	1
6.4	92005	SET SCREW, CUP PT 6-32 UNC THREAD 3/16"L	1
6.5	92008	SET SCREW, CUP POINT 8-32, 3/16" L.	1
7	3-545/00	BRASS PUSH TYPE DRAIN, W/ OVERFLOW & SMALL PLUG	1
8	10982	HOSE, 3/8" COMP. X 1/2" NPSM - 12'L	2



ZONE	REV.	DESCRIPTION	DATE	APPROVED
C5, C4	B	UPDATE POP UP DRAIN & AERATOR, ADD CALLOUTS	6/15/2021	AMM
REVISIONS				

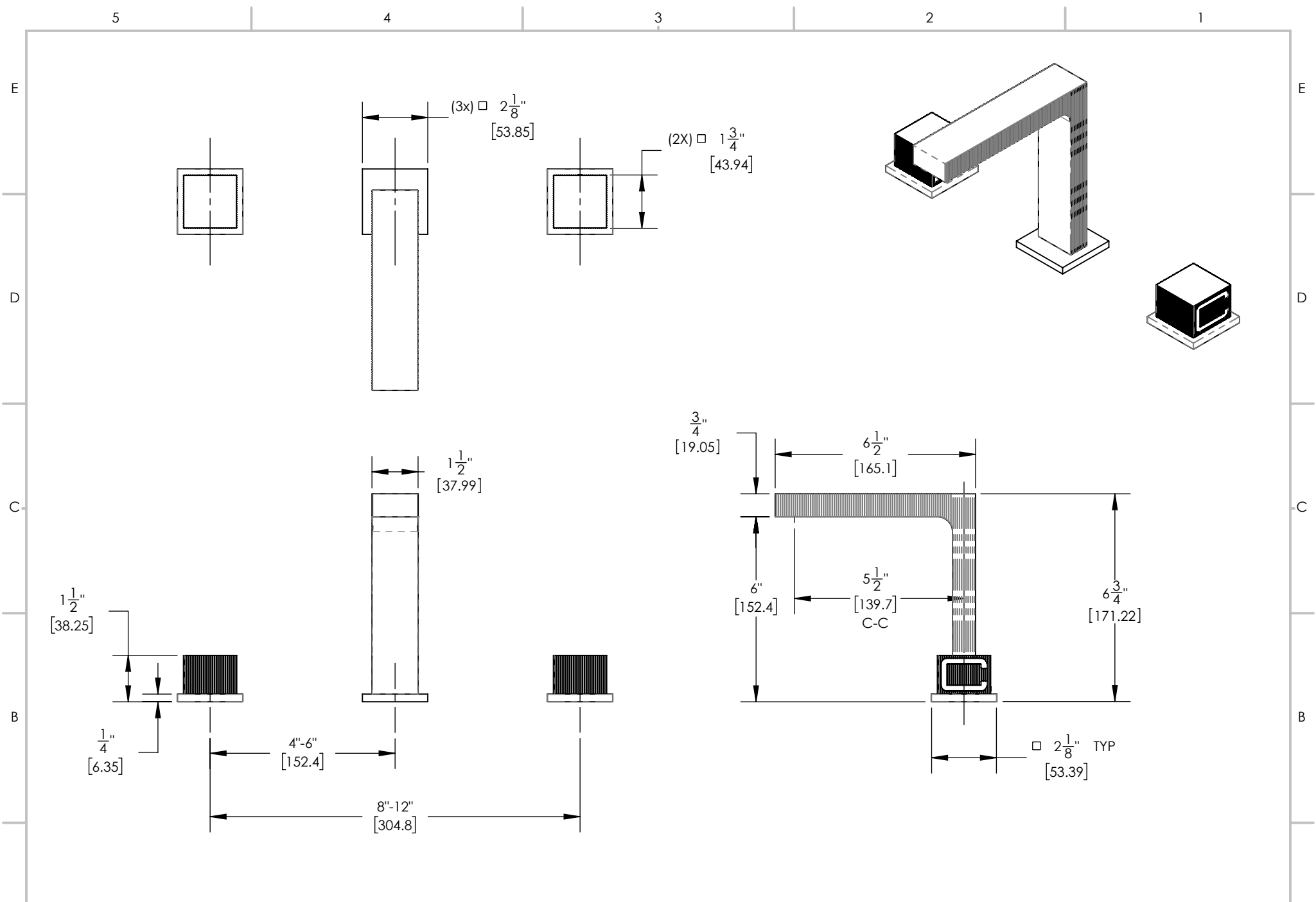
1261 LOGAN AVENUE  
 COSTA MESA, CALIFORNIA 92626  
 PHONE: 714.361.4800  
 FAX: 714.617.3120

**PHYLIRICH**<sup>®</sup>  
 Defining Luxury Since 1959

**PROPRIETARY AND CONFIDENTIAL**  
 THE INFORMATION CONTAINED IN THIS DRAWING IS THE SOLE PROPERTY OF PHYLIRICH. ANY REPRODUCTION IN PART OR AS A WHOLE WITHOUT THE WRITTEN PERMISSION OF PHYLIRICH IS PROHIBITED.  
**DO NOT SCALE DRAWING**

WIDESPREAD FAUCET, CUBE HANDLE, STRIA

SIZE <b>A</b>	ASM/PRT NO. 291-04/00	REV B
SCALE: 1:5.5	WEIGHT: lbs.	SHEET 1 OF 2



1261 LOGAN AVENUE  
 COSTA MESA, CALIFORNIA 92626  
 PHONE: 714.361.4800  
 FAX: 714.617.3120

**PHYLIRICH**<sup>®</sup>  
 Defining Luxury Since 1959

**PROPRIETARY AND CONFIDENTIAL**  
 THE INFORMATION CONTAINED IN THIS DRAWING IS THE SOLE PROPERTY OF PHYLIRICH. ANY REPRODUCTION IN PART OR AS A WHOLE WITHOUT THE WRITTEN PERMISSION OF PHYLIRICH IS PROHIBITED.  
**DO NOT SCALE DRAWING**

WIDESPREAD FAUCET, CUBE HANDLE, STRIA

SIZE <b>A</b>	ASM/PRT NO. 291-04/00	REV B
SCALE: 1:4	WEIGHT: lbs.	SHEET 2 OF 2

A

A