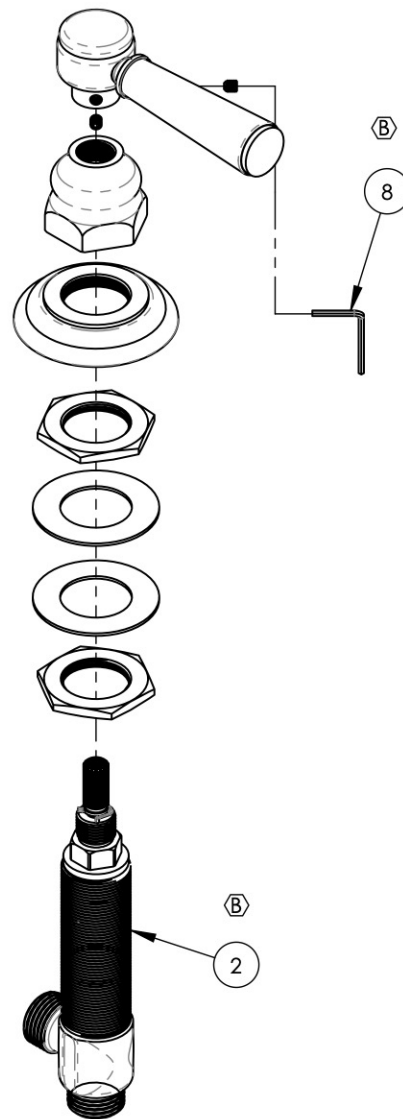
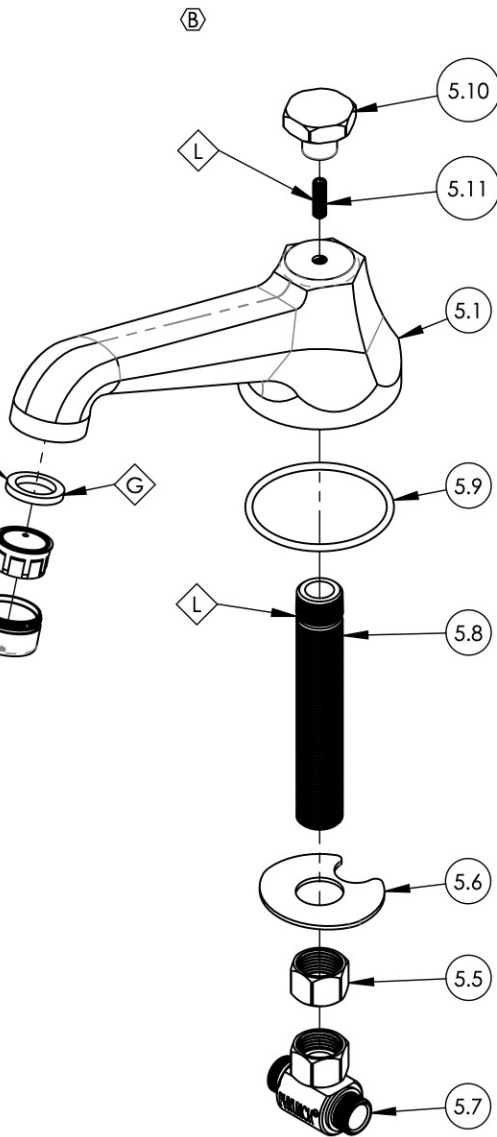
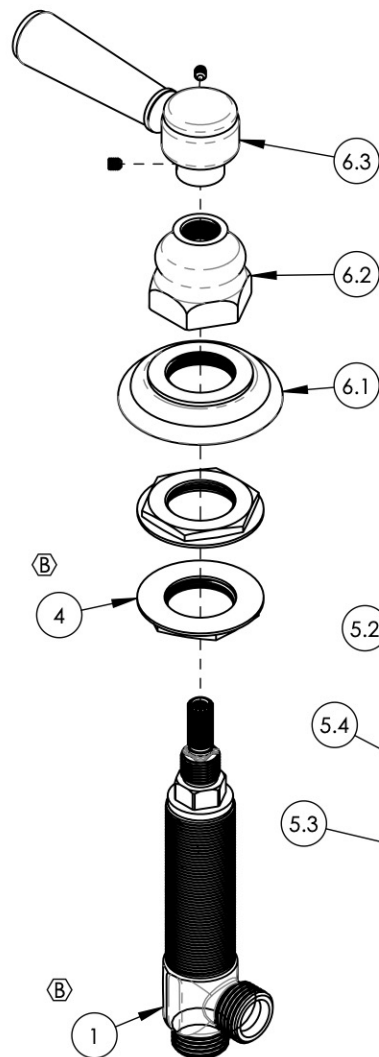
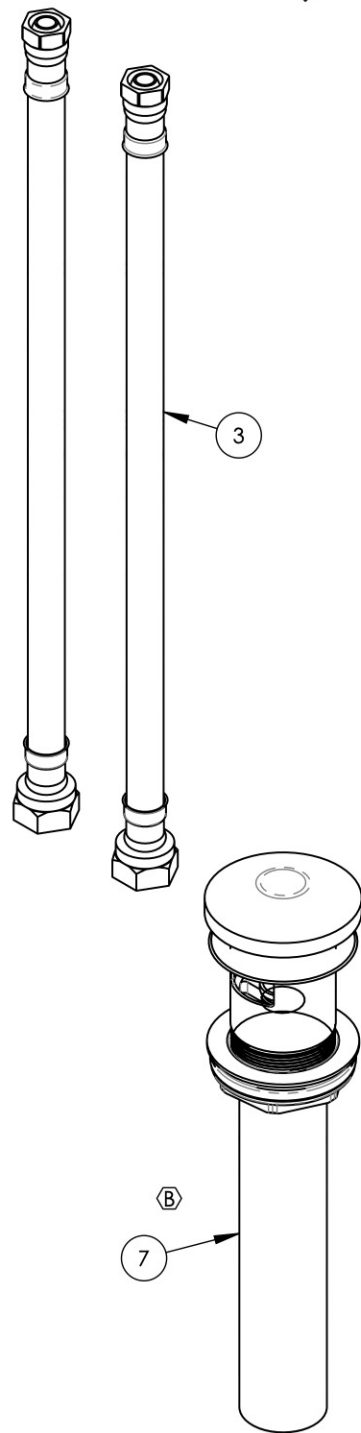


NOTE(S):
 1. PART NUMBER, "/00" DENOTES PART SHALL HAVE FINISH.
 2. APPLY NSF COMPLIANT GREASE TO ANY O-RING, SEALING JOINTS, AND/OR PIVOTAL POINTS.
 3. APPLY NSF COMPLIANT LOCTITE TO THREADED AREA.



ITEM NO.	PART NUMBER	DESCRIPTION	QTY.
1	1-149	WIDESPREAD VALVE LAV 16PT, HOT, ONLY	1
2	1-150	WIDESPREAD VALVE LAV 16PT, COLD, ONLY	1
3	10982	HOSE, 3/8" COMP. X 1/2" NPSM - 12'L	2
4	2-203	MOUNTING NUT KIT, WIDESPREAD LAV	4
5	3-134/00	SPOUT ONLY WIDESPREAD LAV, HEX MOD./TRAD.	1
5.1	10919	SPOUT LOW LAV, HEX MODERN	1
5.2	30030	RUBBER SEAL WASHER AERATOR, NEOPERL PRT # BW.7110.1	1
5.3	30032/00	AERATOR HOUSING 15/16" MALE HOUSING	1
5.4	11426	AERATOR DROP-IN INSERT 1.2 GPM, NEOPERL # 40.2060.00000	1
5.5	10746	NUT, 3/8"-18 NPSL	1
5.6	92174	WASHER MOUNT WIDESPREAD (3/8")	1
5.7	1-112	TEE VALVE, 3/8" NPSM X 3/8" COMPRESSION	1
5.8	10745	THREAD ALL, 3/8"-18 NPSL - 3/8"NPT	1
5.9	90135	O-RING, 1-15/16"ID X 3/32"THK, AS-568-135	1
5.10	10920/00	POP-UP KNOB, HEX TRADITIONAL	1
5.11	92152	SET SCREW, CUP PT. 10-24 UNC X 5/8"L	1
6	3-140/00	LEVER HANDLE, HEX TRADITIONAL 500 SERIES,	2
6.1	10619/00	ESCUTCHEON, TRADITIONAL LAV 1"-20	1
6.2	10621/00	BASE HUB NUT	1
6.3	2-141/00	SUB ASSY. LEVER HANDLE, 500 SERIES	1
7	3-545/00	BRASS PUSH TYPE DRAIN, W/ OVERFLOW & SMALL PLUG	1
8	P39001	HEX KEY 5/64, FOR 8-32 SET SCREW	1

ALL	B	UPDATE TEMPLATE, DWG NAME, VALVES/MOUNTING NUTS, SPOUT ASSY, DRAIN, & HEX KEY	5/27/2020	AMM
ZONE	REV.	DESCRIPTION	DATE	APPROVED
REVISIONS				

1261 LOGAN AVENUE
 COSTA MESA, CALIFORNIA 92626
 PHONE: 714.361.4800
 FAX: 714.617.3120

PHYLIRICH[®]
 Defining Luxury Since 1959

PROPRIETARY AND CONFIDENTIAL
 THE INFORMATION CONTAINED IN THIS DRAWING IS THE SOLE PROPERTY OF PHYLIRICH. ANY REPRODUCTION IN PART OR AS A WHOLE WITHOUT THE WRITTEN PERMISSION OF PHYLIRICH IS PROHIBITED.

NEXT ASSY	USED ON	FRACTIONS ±1/16"	DECIMALS X.X: ±.1 X.XX: ±.01 X.XXX: ±.005	ANGULAR ±2°
APPLICATION		MATERIAL	NAME	DATE
FINISH		DRAWN	LLO	9/2/2015
DO NOT SCALE DRAWING		CHECKED	GRE	1/27/2014

WIDESPREAD LAV, LOW SPOUT W/ LEVER, HEX TRADITIONAL		
SIZE B	ASM/PRT NO. 500-02/00	REV B
SCALE: 1:2.75	WEIGHT: lbs.	SHEET 1 OF 2