

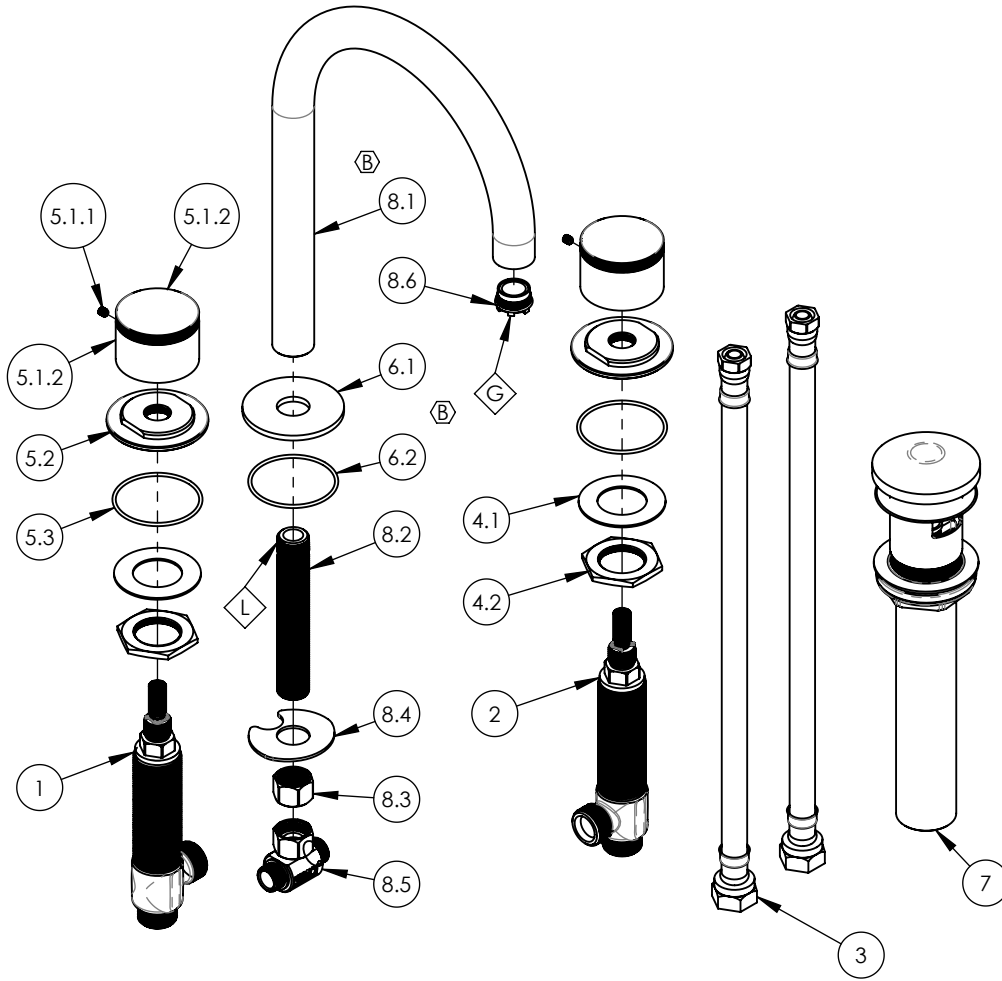
NOTE(S):
1. PART NUMBER, "/00" DENOTES PART SHALL HAVE FINISH.

2. APPLY NSF COMPLIANT GREASE TO ANY O-RING, SEALING JOINTS, AND/OR PIVOTAL POINTS.

3. APPLY NSF COMPLIANT LOCTITE TO THREADED AREA.

4. APPLY NSF COMPLIANT REMOVABLE (BLUE) LOCTITE TO THREADED AREA.

5. SILVER SOLDER JOINTS SHALL BE FULLY WETTED VIA CAPILLARY ACTION AND COMPLETELY NON-POROUS.



ITEM NO.	PART NUMBER	DESCRIPTION	QTY.
1	1-149	WIDESPREAD VALVE LAV 16PT, HOT, ONLY	1
2	1-150	WIDESPREAD VALVE LAV 16PT, COLD, ONLY	1
3	10982	HOSE, 3/8" COMP. X 1/2" NPSM - 12'L	2
4	2-203	MOUNTING NUT KIT, WIDESPREAD LAV	2
4.1	92252	WASHER, 1-1/32" ID 1-13/16" OD	1
4.2	92251	HEX NUT, 1"-20 THREAD	1
5	3-329/00	SUB ASSY. KNURLED HANDLE, BASIC II	2
5.1	2-247/00	HANDLE KNURLED, BASIC II	1
5.1.1	92008	SET SCREW, CUP POINT 8-32, 3/16" L.	1
5.1.2	11165/00	BASE HANDLE, CONTEMP. BASIC II	1
5.2	11164/00	ESCUTCHEON BASE, CONTEMP. BASIC II	1
5.3	90031	O-RING, 1-3/4"ID X 1/16"THK, AS-568-031	1
6	3-330/00	ESCUTCHEON FOR SPOUT, BASIC II SERIES	1
6.1	10550/00	ESCUTCHEON BASE, CONTEMP. BASIC II	1
6.2	90031	O-RING, 1-3/4"ID X 1/16"THK, AS-568-031	1
7	3-545/00	BRASS PUSH TYPE DRAIN, W/ OVERFLOW & SMALL PLUG	1
8	3-634/00	ASSY, ARC SPOUT, WIDESPREAD, TRANSITION	1
8.1	11163/00	SPOUT TUBE 3/4", LAV	1
8.2	10745	THREAD ALL, 3/8"-18 NPSL - 3/8"NPT	1
8.3	10746	NUT, 3/8"-18 NPSL	1
8.4	92174	WASHER MOUNT WIDESPREAD (3/8")	1
8.5	1-112	TEE VALVE, 3/8" NPSM X 3/8" COMPRESSION	1
8.6	11428	AERATOR, CACHE TJ, 1.2GPM PCA PINK, 43.2260.450	1

ALL	B	REVISED SPOUT SUB-ASSY AND BASE ESCUTCHEON	6/16/2021	MAF
ZONE	REV.	DESCRIPTION	DATE	APPROVED
REVISIONS				

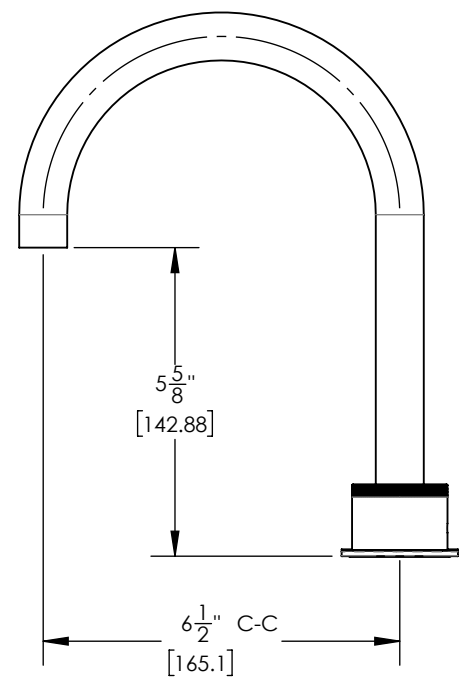
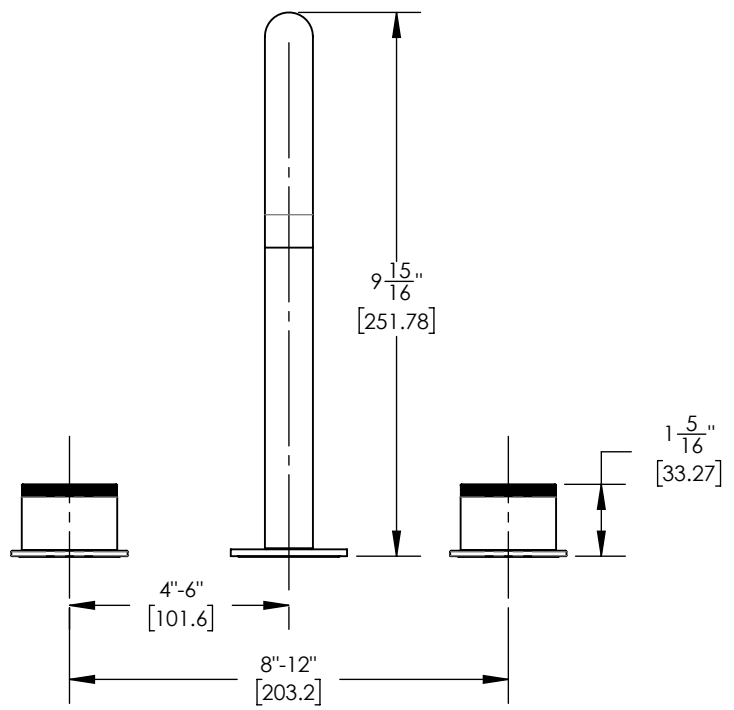
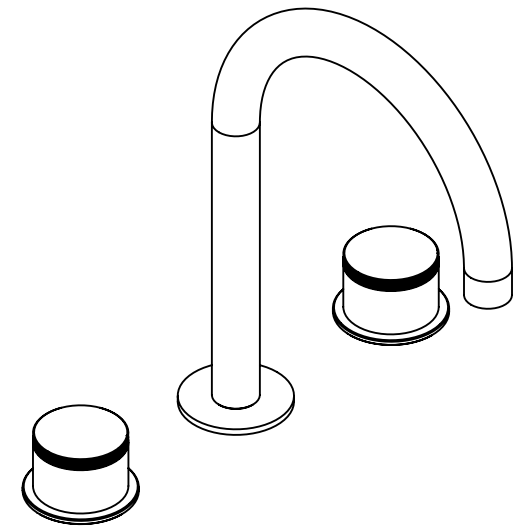
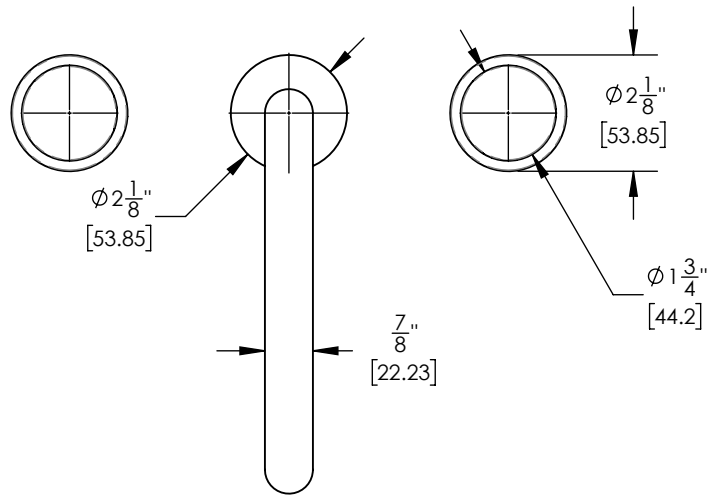
1261 LOGAN AVENUE
COSTA MESA, CALIFORNIA 92626
PHONE: 714.361.4800
FAX: 714.617.3120

PHYLIRICH[®]
Defining Luxury Since 1959

PROPRIETARY AND CONFIDENTIAL
THE INFORMATION CONTAINED IN THIS DRAWING IS THE SOLE PROPERTY OF PHYLIRICH. ANY REPRODUCTION IN PART OR AS A WHOLE WITHOUT THE WRITTEN PERMISSION OF PHYLIRICH IS PROHIBITED.
DO NOT SCALE DRAWING

WIDESPREAD FAUCET, KNURLES HANDLES, BASIC II

SIZE A	ASM/PRT NO. 230-01/00	REV B
SCALE: 1:4	WEIGHT: lbs.	SHEET 1 OF 2



1261 LOGAN AVENUE
COSTA MESA, CALIFORNIA 92626
PHONE: 714.361.4800
FAX: 714.617.3120

PHYLIRICH[®]
Defining Luxury Since 1959

PROPRIETARY AND CONFIDENTIAL
THE INFORMATION CONTAINED IN THIS DRAWING IS THE SOLE PROPERTY OF PHYLIRICH. ANY REPRODUCTION IN PART OR AS A WHOLE WITHOUT THE WRITTEN PERMISSION OF PHYLIRICH IS PROHIBITED.
DO NOT SCALE DRAWING

WIDESPREAD FAUCET, KNURLES HANDLES, BASIC II

SIZE A	ASM/PRT NO. 230-01/00	REV B
SCALE: 1:3.5	WEIGHT: lbs.	SHEET 2 OF 2