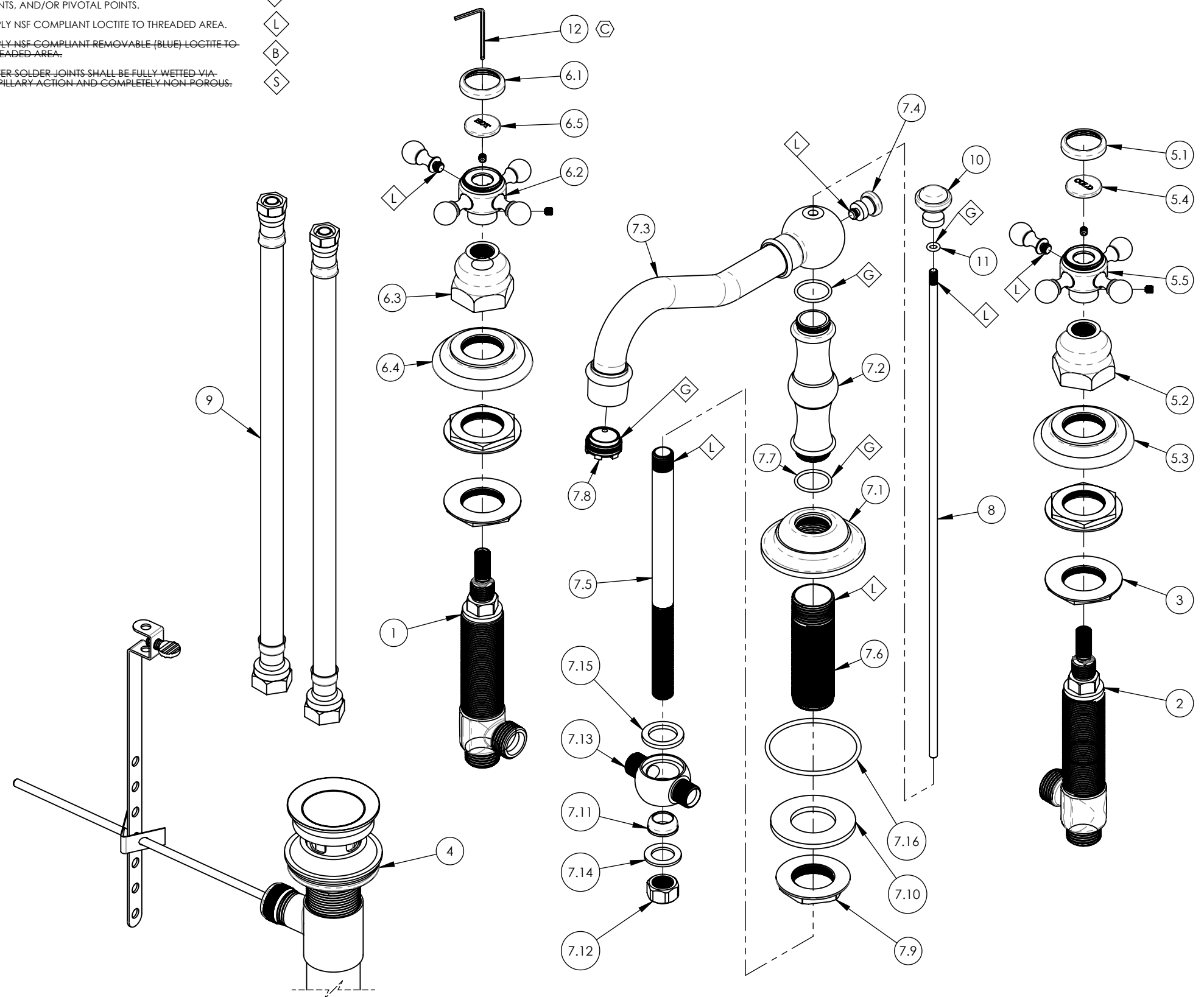


- NOTE(S):
 1. PART NUMBER, "/00" DENOTES PART SHALL HAVE FINISH.
 2. APPLY NSF COMPLIANT GREASE TO ANY O-RING, SEALING JOINTS, AND/OR PIVOTAL POINTS.
 3. APPLY NSF COMPLIANT LOCTITE TO THREADED AREA.
 4. APPLY NSF COMPLIANT REMOVABLE (BLUE) LOCTITE TO THREADED AREA.
 5. SILVER SOLDER JOINTS SHALL BE FULLY WETTED VIA CAPILLARY ACTION AND COMPLETELY NON-POROUS.

- G
- L
- B
- S



ITEM NO.	PART NUMBER	DESCRIPTION	QTY.
1	1-149	WIDESPREAD VALVE LAV 16PT, HOT, ONLY	1
2	1-150	WIDESPREAD VALVE LAV 16PT, COLD, ONLY	1
3	2-203	MOUNTING NUT KIT, WIDESPREAD LAV	4
4	3-046/00	POP-UP DRAIN ASSEMBLY (2-101, 2-102, & 2-246)	1
5	3-141C/00	CROSS HANDLE, HEX TRADITIONAL, 500 SERIES	1
5.1	10538/00	CAP RING FOR 500 SERIES BUTTON	1
5.2	10621/00	BASE HUB NUT	1
5.3	10619/00	ESCUTCHEON, TRADITIONAL LAV 1"-20	1
5.4	11098	PLASTIC BUTTON, COLD	1
5.5	2-180/00	SUB ASSY. CROSS HANDLE HUB	1
6	3-141H/00	CROSS HANDLE, HEX TRADITIONAL, 500 SERIES	1
6.1	10538/00	CAP RING FOR 500 SERIES BUTTON	1
6.2	2-180/00	SUB ASSY. CROSS HANDLE HUB	1
6.3	10621/00	BASE HUB NUT	1
6.4	10619/00	ESCUTCHEON, TRADITIONAL LAV 1"-20	1
6.5	11099	PLASTIC BUTTON, HOT	1
7	3-324/00	SPOUT WIDESPREAD LAV, HENRI/MAISON SERIES	1
7.1	11148/00	ESCUTCHEON, BASE SPOUT RISER	1
7.2	11149/00	RISER FOR SPOUT, TRADITIONAL	1
7.3	2-040/00	SPOUT REACH BRAZED, HENRI SERIES	1
7.4	11152/00	FINIAL END BACK, TRADITIONAL	1
7.5	P33002	7" POP-UP GUIDE	1
7.6	P33008	LAV SPOUT NIPPLE	1
7.7	90018	O-RING, 3/4"ID X 1/16"THK, AS-568-018	2
7.8	11429	AERATOR CACHE JR, 1.2GPM, M21.5X1.0, 42.2260.450	1
7.9	92037	NUT, FLANGED 1"-20 THREAD	1
7.10	P35317	S.S. WASHER O.D 2" I.D 1" 1/16	1
7.11	954A	CONE WASHER	1
7.12	168B	NUT FOR 3-WAY TEE	1
7.13	2003NL	TEE VALVE FOR LAV WIDESPREAD	1
7.14	28A	BRASS WASHER	1
7.15	427	FIBER WASHER, 0.983" x 0.680" x 0.100" THK	1
7.16	90137	O-RING, 2-1/16"ID X 3/32"THK., AS-568-137	1
8	10719/00	POP-UP ROD, 10-24, 14" LONG	1
9	10982	HOSE, 3/8" COMP. X 1/2" NPSM - 12'L	2
10	11153/00	POP-UP KNOB, TRADITIONAL	1
11	90008	O-RING, 3/16"ID X 5/16"OD X 1/16"THK, AS-568-008	1
12	92021	HEX KEY 5/64, FOR 8-32 SET SCREW	1

E6	C	UPDATE HEX KEY PART #	4/20/2021	AMM
ZONE	REV.	DESCRIPTION	DATE	APPROVED
REVISIONS				

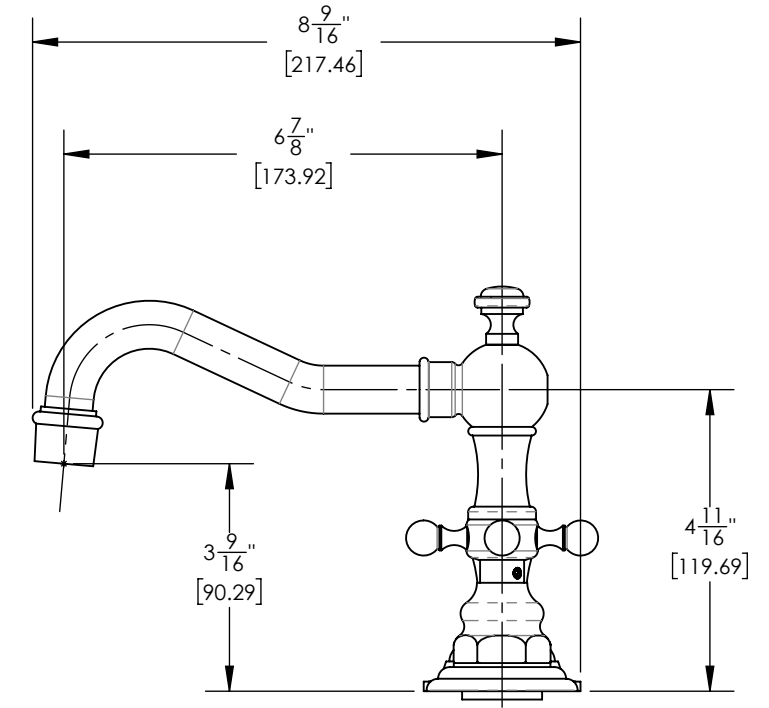
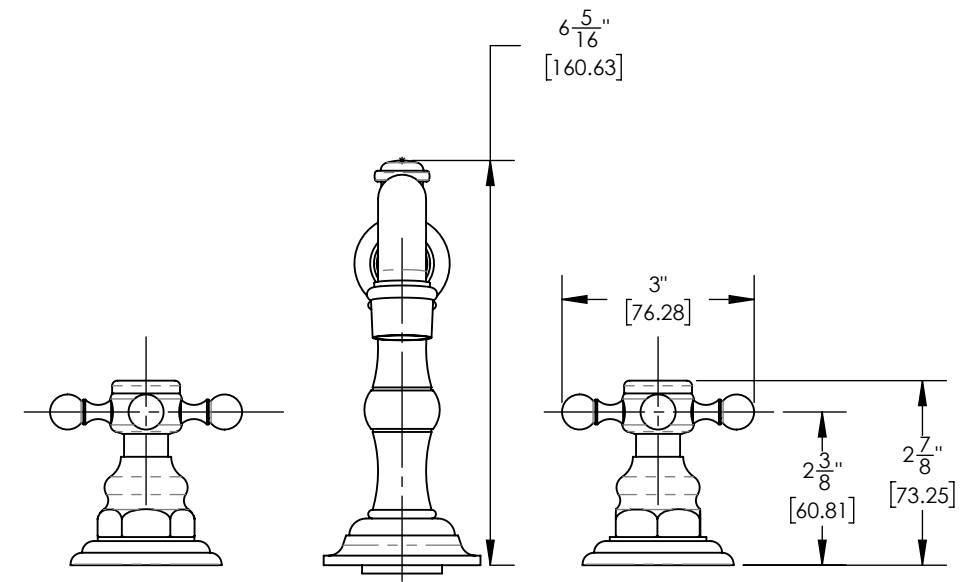
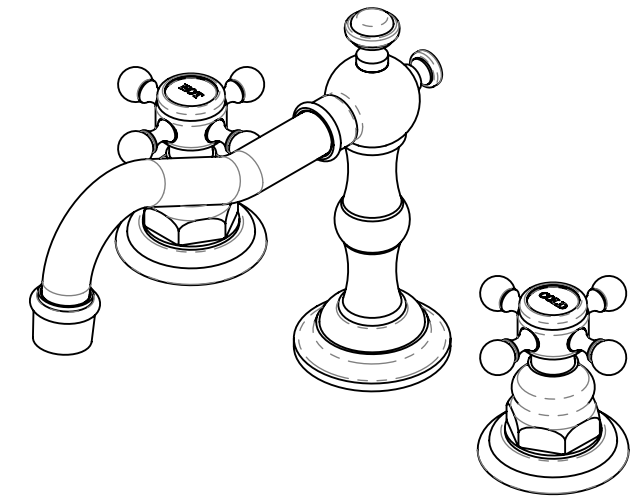
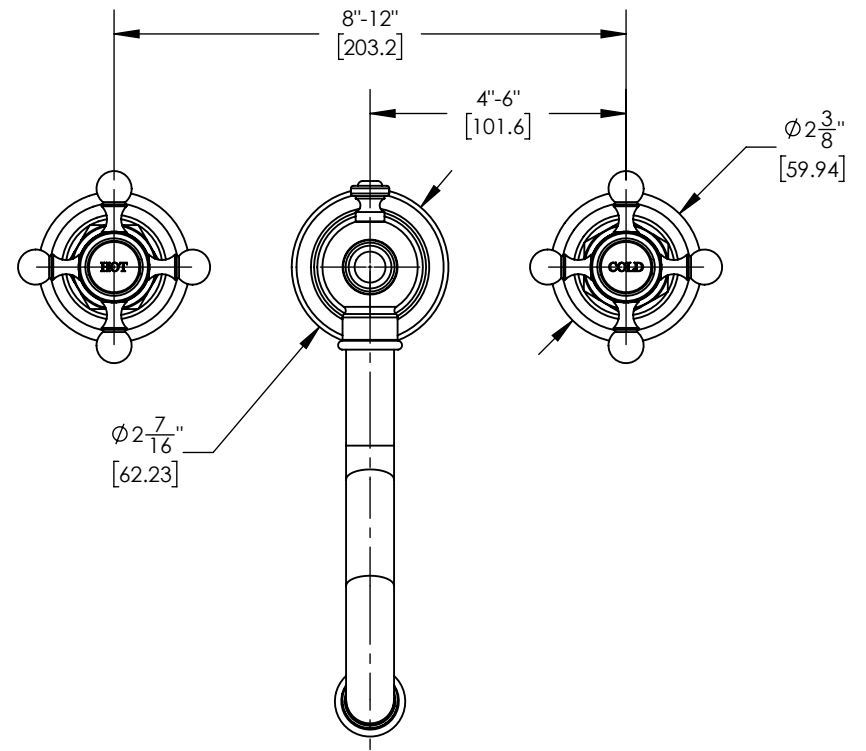
1261 LOGAN AVENUE
 COSTA MESA, CALIFORNIA 92626
 PHONE: 714.361.4800
 FAX: 714.617.3120

PHYLIRICH
 Defining Luxury Since 1959

PROPRIETARY AND CONFIDENTIAL
 THE INFORMATION CONTAINED IN THIS DRAWING IS THE SOLE PROPERTY OF PHYLIRICH. ANY REPRODUCTION IN PART OR AS A WHOLE WITHOUT THE WRITTEN PERMISSION OF PHYLIRICH IS PROHIBITED.
DO NOT SCALE DRAWING

WIDESPREAD FAUCET, CROSS HANDLE, HENRI

SIZE	ASM/PRT NO.	REV
B	161-01/00	C
SCALE: 1:2.75	WEIGHT: lbs.	SHEET 1 OF 2



1261 LOGAN AVENUE
COSTA MESA, CALIFORNIA 92626
PHONE: 714.361.4800
FAX: 714.617.3120

PHYLIRICH[®]
Defining Luxury Since 1959

PROPRIETARY AND CONFIDENTIAL
THE INFORMATION CONTAINED IN THIS DRAWING IS THE SOLE PROPERTY OF PHYLIRICH. ANY REPRODUCTION IN PART OR AS A WHOLE WITHOUT THE WRITTEN PERMISSION OF PHYLIRICH IS PROHIBITED.
DO NOT SCALE DRAWING

WIDESPREAD FAUCET, CROSS HANDLE, HENRI

SIZE	ASM/PRT NO.	REV
B	161-01/00	C
SCALE: 1:3	WEIGHT: lbs.	SHEET 2 OF 2