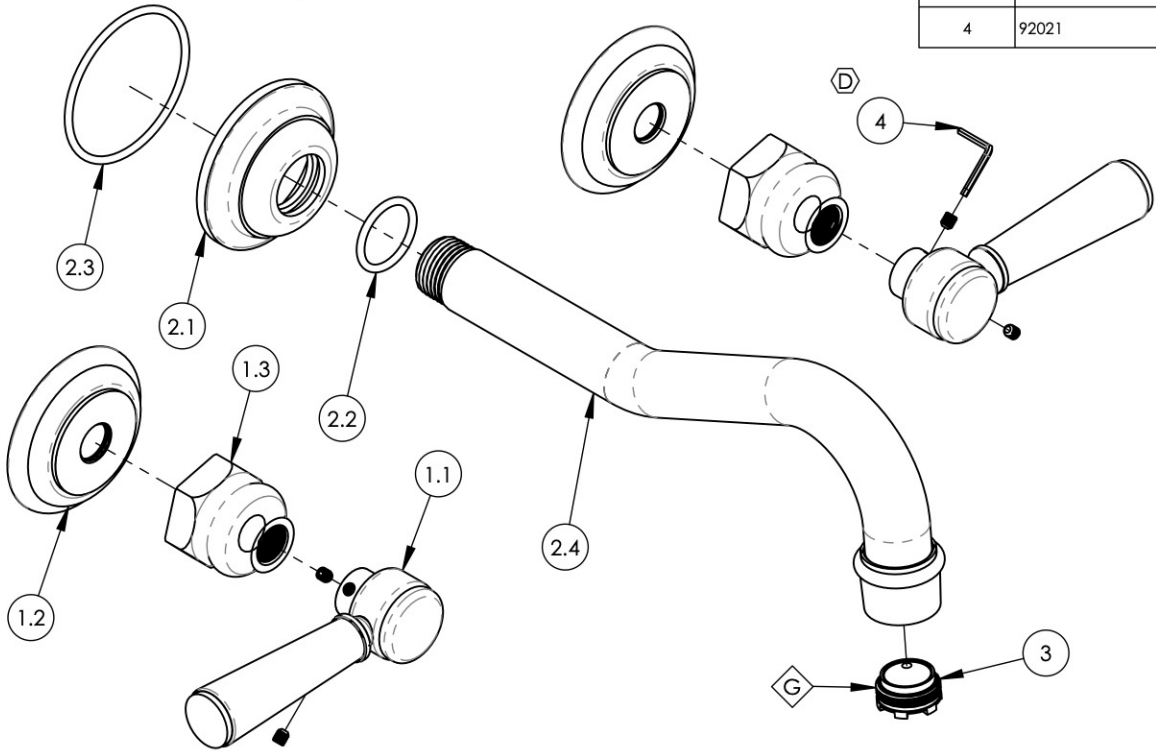


NOTE(S):

- EXAMPLE OF SPLIT FINISH CODE:
A. 3-373/026X030
- SPLIT FINISH CODES:
A. BLACK MARBLE = 3-373/00X030
B. WHITE MARBLE = 3-373/00X031
C. SOAPSTONE = 3-373/00X032
- AVAILABLE HANDLE STONE PART # OPTIONS:
A. BLACK MARBLE = 11328 (030)
B. WHITE MARBLE = 11329 (031)
C. SOAPSTONE = 11330 (032)
- PART NUMBER, "/00" DENOTES PART SHALL HAVE FINISH.
- APPLY NSF COMPLIANT GREASE TO ANY O-RING, SEALING JOINTS, AND/OR PIVOTAL POINTS. G
- APPLY NSF COMPLIANT LOCTITE TO THREADED AREA. L
- APPLY NSF COMPLIANT REMOVABLE (BLUE) LOCTITE TO THREADED AREA. B
- SILVER SOLDER JOINTS SHALL BE FULLY WETTED VIA CAPILLARY ACTION AND COMPLETELY NON-POROUS. S

ITEM NO.	PART NUMBER	DESCRIPTION	QTY.
1	3-373/00	MARBLE LEVER HANDLE ASSY., WALL/SHOWER	2
1.1	2-142/00	MARBLE LEVER HANDLE, 500 SERIES, HEX TRADITIONAL	1
1.2	10618/00	ESCUTCHEON, TRADITIONAL 500	1
1.3	10621/00	BASE HUB NUT	1
2	3-390/00	WALL SPOUT, HENRI SERIES	1
2.1	11158/00	FLANGE, WALL TUB	1
2.2	90118	O-RING, 7/8"ID X 1-1/16"OD X 3/32"THK, AS-568-118	1
2.3	90137	O-RING, 2-1/16"ID X 3/32"THK., AS-568-137	1
2.4	2-108/00	SUB. ASSY, WALL SPOUT	1
3	11429	AERATOR CACHE JR, 1.2GPM, M21.5X1.0, 42.2260.450	1
4	92021	HEX KEY 5/64, FOR 8-32 SET SCREW	1



C3	D	UPDATE HEX KEY PART #	4/20/2021	AMM
ZONE	REV.	DESCRIPTION	DATE	APPROVED
REVISIONS				

1261 LOGAN AVENUE
COSTA MESA, CALIFORNIA 92626
PHONE: 714.361.4800
FAX: 714.617.3120

PHYLIRICH[®]
Defining Luxury Since 1959

PROPRIETARY AND CONFIDENTIAL
THE INFORMATION CONTAINED IN THIS DRAWING IS THE SOLE PROPERTY OF PHYLIRICH. ANY REPRODUCTION IN PART OR AS A WHOLE WITHOUT THE WRITTEN PERMISSION OF PHYLIRICH IS PROHIBITED.
DO NOT SCALE DRAWING

WALL LAVATORY SET, MARBLE LEVER HANDLES, 8" SPOUT, HENRI

SIZE A	ASM/PRT NO. 161-13/00	REV D
SCALE: 1:2.5	WEIGHT: lbs.	SHEET 1 OF 2