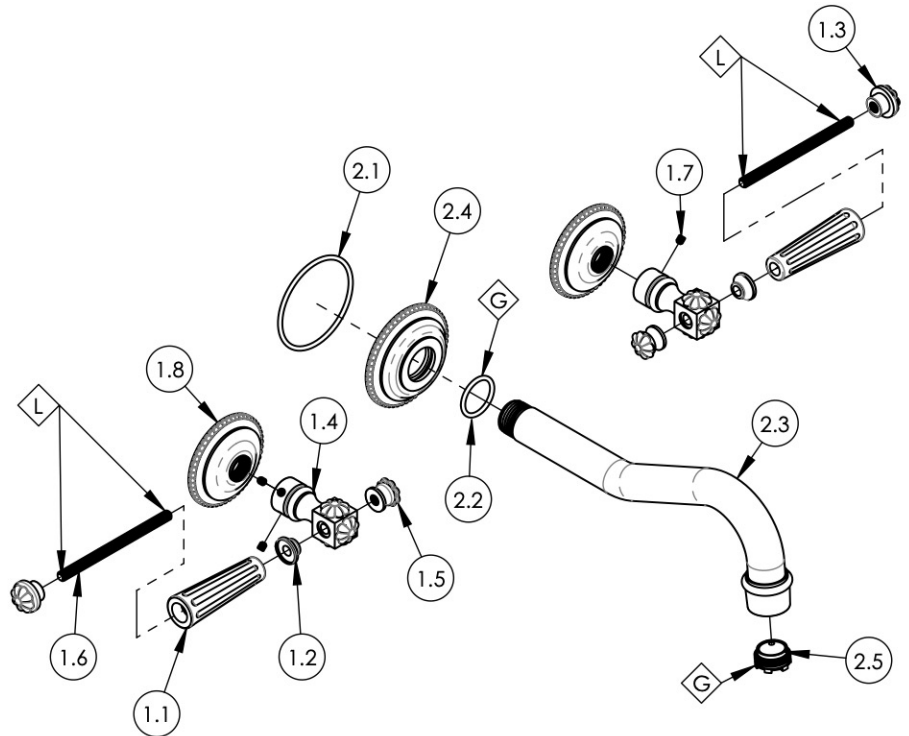


- NOTE(S):
1. APPLY NSF COMPLIANT GREASE TO ANY O-RING, SEALING JOINTS, AND/OR PIVOTAL POINTS. G
 2. APPLY NSF COMPLIANT LOCTITE TO THREADED AREA. L



| ITEM NO. | PART NUMBER | DESCRIPTION | QTY. |
|----------|-------------|--|------|
| 1 | 3-030/00 | HANDLE LEVER, MARVELLE SEIRES | 2 |
| 1.1 | 10541/00 | LEVER HANDLE INSERT, MARVELLE | 1 |
| 1.2 | 11102/00 | BASE HANDLE FOR LEVER HEX TRADITIONAL 500 SERIES | 1 |
| 1.3 | 2-111/00 | SUB-ASSY. END CAP FINIAL, MARVELLE | 1 |
| 1.4 | 2-113/00 | SUB-ASSY. LEVER TRASITION FINIAL, MARVELLE | 1 |
| 1.5 | 2-112/00 | SUB-ASSY. FINIAL EXTENSION BACK LEVER | 1 |
| 1.6 | 10543 | THREADED ROD, 1/4"-20 X 3"-5/8 L | 1 |
| 1.7 | 92008 | SET SCREW, CUP POINT 8-32, 3/16" L. | 2 |
| 1.8 | 10540/00 | ESCUTCHEON, MARVELLE SERIES | 1 |
| 2 | 3-399/00 | SUB ASSY. WALL LAV, MARVELLE | 1 |
| 2.1 | 90140 | O-RING, 2-1/4ID X 3/32THK., AS-568-140 | 1 |
| 2.2 | 90118 | O-RING, 7/8"ID X 1-1/16"OD X 3/32"THK, AS-568-118 | 1 |
| 2.3 | 2-108/00 | SUB. ASSY, WALL SPOUT | 1 |
| 2.4 | 11313/00 | ESCUTCHEON, SPOUT, WALL LAV, MARVELLE | 1 |
| 2.5 | 11429 | AERATOR CACHE JUNIOR, 1.2GPM, M21.5X1.0, NEOPERL # 42.2260.450 | 1 |

| ALL | C | UPDATE TEMPLATE, ADD CALL OUTS | 7/27/2020 | AMM |
|-----------|------|--------------------------------|-----------|----------|
| ZONE | REV. | DESCRIPTION | DATE | APPROVED |
| REVISIONS | | | | |

1261 LOGAN AVENUE
COSTA MESA, CALIFORNIA 92626
PHONE: 714.361.4800
FAX: 714.617.3120

PHYLIRICH[®]
Defining Luxury Since 1959

PROPRIETARY AND CONFIDENTIAL
THE INFORMATION CONTAINED IN THIS DRAWING IS THE SOLE PROPERTY OF PHYLIRICH. ANY REPRODUCTION IN PART OR AS A WHOLE WITHOUT THE WRITTEN PERMISSION OF PHYLIRICH IS PROHIBITED.

| | | | | |
|-----------------------------|---------|---|--|----------------|
| - | - | INTERPRET GEOMETRIC DIMENSIONING & TOLERANCING IN ACCORDANCE WITH ASME Y14.5-2009 & ASME Y14.41-2003 STANDARDS, UNLESS OTHERWISE SPECIFIED. DIMENSIONS ARE IN INCHES. TOLERANCES ARE: | | |
| NEXT ASSY | USED ON | FRACTIONS ±1/16" | DECIMALS X.X: ±.1 X.XX: ±.01 X.XXX: ±.005 | ANGULAR ±2° |
| APPLICATION | | MATERIAL | NAME | DATE |
| FINISH | | DRAWN | LLO | 10/14/2015 |
| DO NOT SCALE DRAWING | | CHECKED | GRE | |

WALL LAVATORY SET, LEVER HANDLES, 8" SPOUT, MARVELLE

| | | |
|--------------|--------------|--------------|
| SIZE | ASM/PRT NO. | REV |
| A | 162-12/00 | C |
| SCALE: 1:4.5 | WEIGHT: lbs. | SHEET 1 OF 2 |