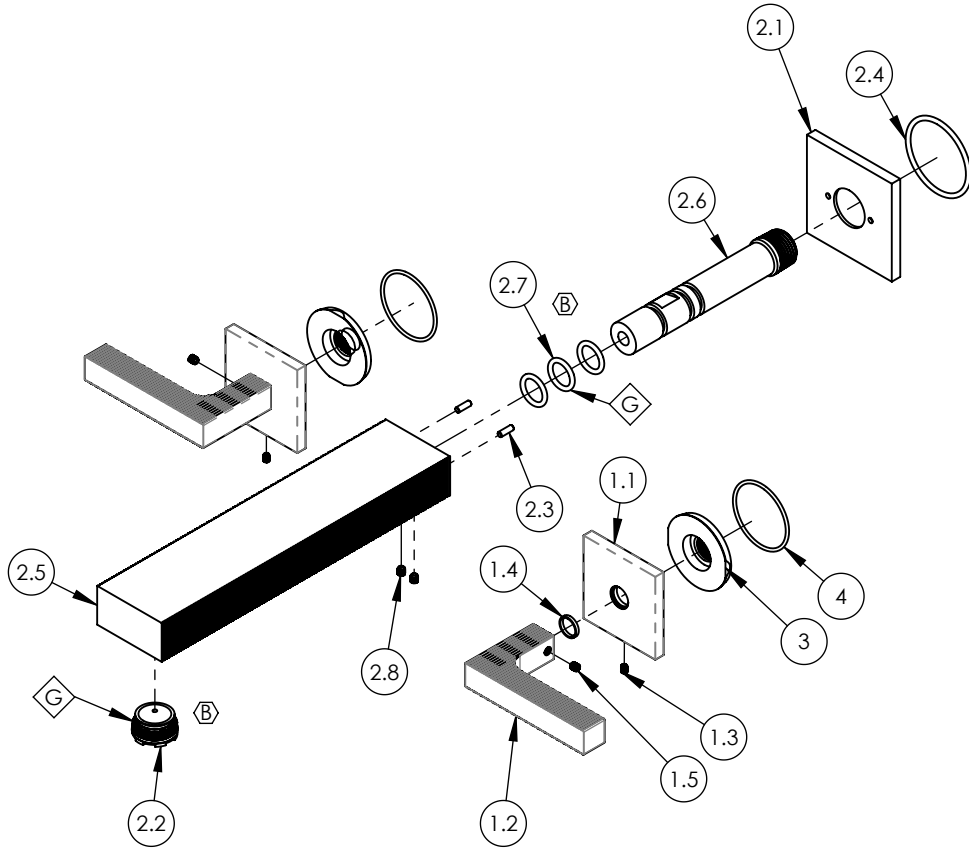


- NOTE(S):
- PART NUMBER, "/00" DENOTES PART SHALL HAVE FINISH.
 - APPLY NSF COMPLIANT GREASE TO ANY O-RING, SEALING JOINTS, AND/OR PIVOTAL POINTS.
 - APPLY NSF COMPLIANT LOCTITE TO THREADED AREA.
 - APPLY NSF COMPLIANT REMOVABLE (BLUE) LOCTITE TO THREADED AREA.
 - SILVER SOLDER JOINTS SHALL BE FULLY WETTED VIA-CAPILLARY ACTION AND COMPLETELY NON-POROUS.



| ITEM NO. | PART NUMBER | DESCRIPTION | QTY. |
|----------|-------------|--|------|
| 1 | 3-109 | ASSY, HANDLE RIBBED LEVER | 2 |
| 1.1 | 10937/00 | ESCUTCHEON, HANDLE EDGE SERIES | 1 |
| 1.2 | 10298/00 | HANDLE, LEVER EDGE SERIES | 1 |
| 1.3 | 92005 | SET SCREW, CUP PT 6-32 UNC THREAD 3/16"L | 1 |
| 1.4 | 92176 | WEAR WASHER | 1 |
| 1.5 | 92008 | SET SCREW, CUP POINT 8-32, 3/16" L. | 1 |
| 2 | 3-126/00 | SPOUT, WALL LAV, 291 STRIA | 1 |
| 2.1 | 10939/00 | ESCUTCHEON, WIDESPREAD | 1 |
| 2.2 | 11427 | AERATOR, CACHE REG, PINK 1.2 GPM, M24X1.0, NEOPERL # 40.2360.010 | 1 |
| 2.3 | 92158 | DOWEL PIN, 1/8" X 3/8"L | 2 |
| 2.4 | 90131 | O-RING, 1-11/16ID X 3/32THK, AS-568-131 | 1 |
| 2.5 | 11010/00 | SPOUT, WALL MOUNT | 1 |
| 2.6 | 10013 | INJECTOR SHANK, 1/2"NPT MALE TO M16.5 CACHE W/ O-SEAL | 1 |
| 2.7 | 90113 | O-RING, 9/16"ID X 3/4"OD X 3/32"THK, AS-568-113 | 3 |
| 2.8 | 92008 | SET SCREW, CUP POINT 8-32, 3/16" L. | 2 |
| 3 | 11003 | SLEEVE MOUNT, WALL MT WIDESPREAD | 2 |
| 4 | 90029 | O-RING, 1-5/8"ID X 1-3/4"OD X 1/16"THK, AS-568-029 | 2 |



| ZONE | REV. | DESCRIPTION | DATE | APPROVED |
|-----------|------|--------------------------|-----------|----------|
| B5, C4 | B | UPDATE O-RINGS & AERATOR | 6/10/2021 | AMM |
| REVISIONS | | | | |

1261 LOGAN AVENUE
COSTA MESA, CALIFORNIA 92626
PHONE: 714.361.4800
FAX: 714.617.3120

PHYLIRICH[®]
Defining Luxury Since 1959

PROPRIETARY AND CONFIDENTIAL
THE INFORMATION CONTAINED IN THIS DRAWING IS THE SOLE PROPERTY OF PHYLIRICH. ANY REPRODUCTION IN PART OR AS A WHOLE WITHOUT THE WRITTEN PERMISSION OF PHYLIRICH IS PROHIBITED.
DO NOT SCALE DRAWING

WALL MOUNT LAVATORY TRIM SET, LEVER HANDLE, STRIA

| SIZE | ASM/PRT NO. | REV |
|------------|--------------|--------------|
| A | 291-12/00 | B |
| SCALE: 1:1 | WEIGHT: lbs. | SHEET 1 OF 2 |

5

4

3

2

1

E

E

D

D

C

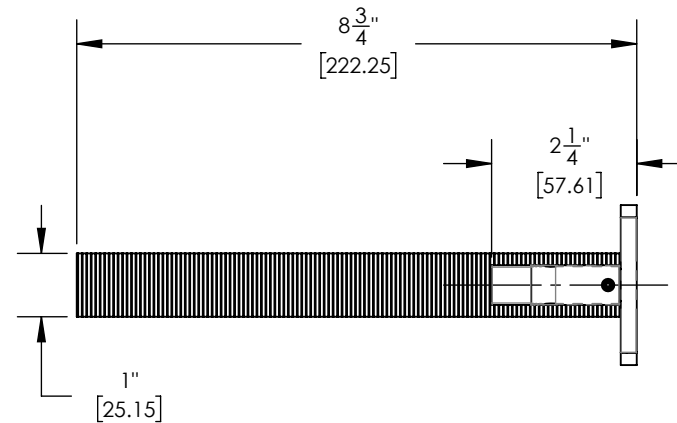
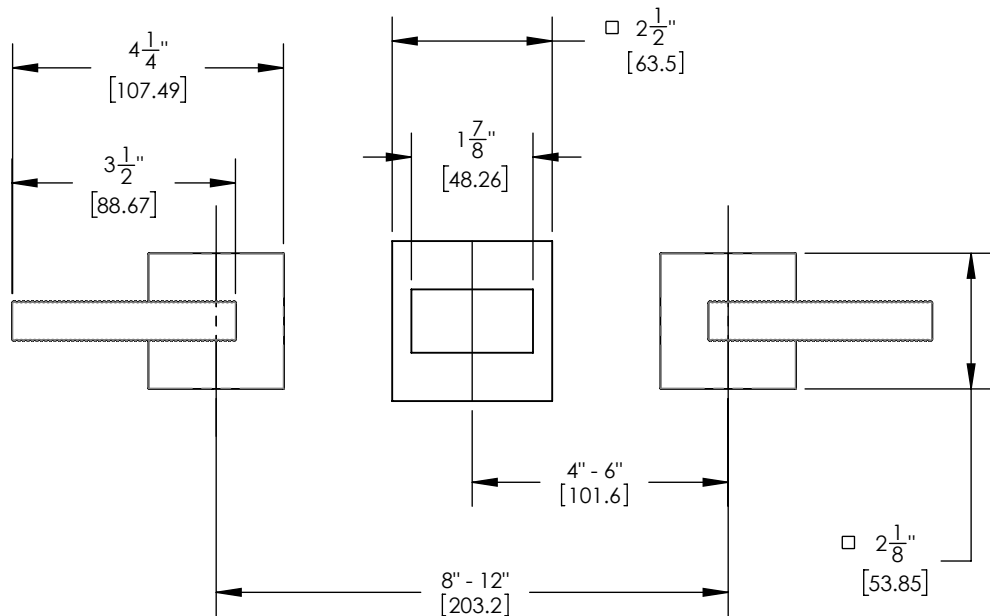
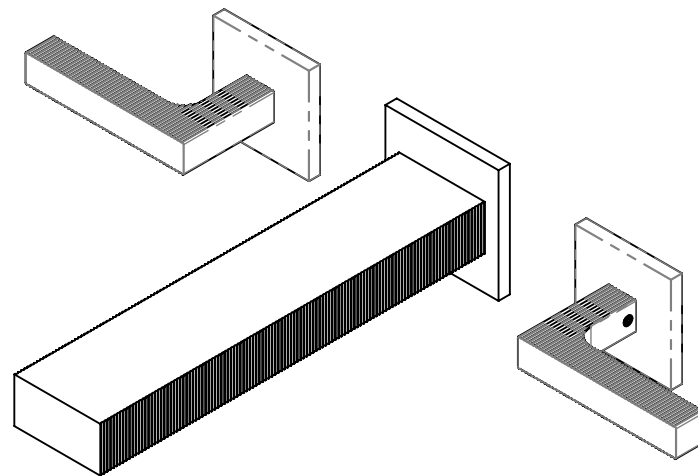
C

B

B

A

A



1261 LOGAN AVENUE
 COSTA MESA, CALIFORNIA 92626
 PHONE: 714.361.4800
 FAX: 714.617.3120

PHYLIRICH[®]
 Defining Luxury Since 1959

PROPRIETARY AND CONFIDENTIAL
 THE INFORMATION CONTAINED IN THIS DRAWING IS THE SOLE PROPERTY OF PHYLIRICH. ANY REPRODUCTION IN PART OR AS A WHOLE WITHOUT THE WRITTEN PERMISSION OF PHYLIRICH IS PROHIBITED.
DO NOT SCALE DRAWING

WALL MOUNT LAVATORY TRIM SET, LEVER HANDLE , STRIA

| | | |
|------------------|--------------------------|----------|
| SIZE A | ASM/PRT NO. 291-12/00 | REV B |
|------------------|--------------------------|----------|

| | | |
|------------|--------------|--------------|
| SCALE: 1:3 | WEIGHT: lbs. | SHEET 2 OF 2 |
|------------|--------------|--------------|

5

4

3

2

1