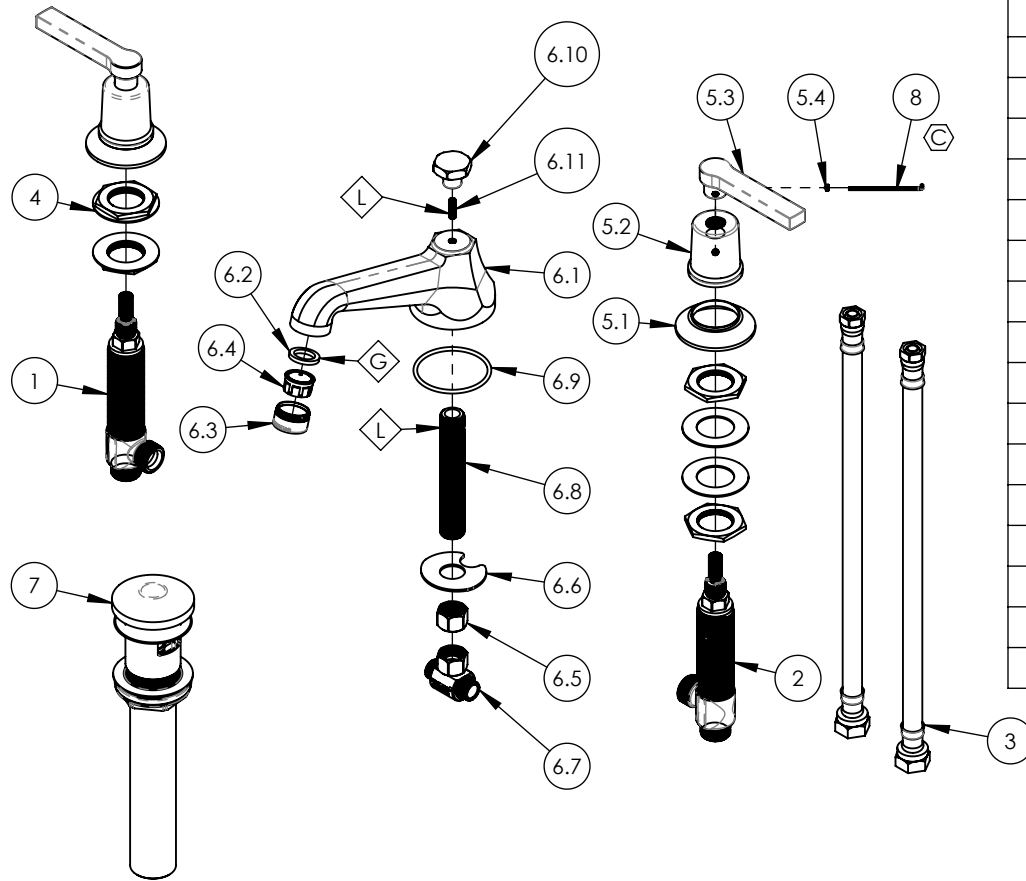


- NOTE(S):
- PART NUMBER, "/00" DENOTES PART SHALL HAVE FINISH.
 - APPLY NSF COMPLIANT GREASE TO ANY O-RING, SEALING JOINTS, AND/OR PIVOTAL POINTS.
 - APPLY NSF COMPLIANT LOCTITE TO THREADED AREA.
 - APPLY NSF COMPLIANT REMOVABLE (BLUE) LOCTITE TO THREADED AREA.
 - SILVER SOLDER JOINTS SHALL BE FULLY WETTED VIA CAPILLARY ACTION AND COMPLETELY NON-POROUS.



ITEM NO.	PART NUMBER	DESCRIPTION	QTY.
1	1-149	WIDESPREAD VALVE LAV 16PT, HOT, ONLY	1
2	1-150	WIDESPREAD VALVE LAV 16PT, COLD, ONLY	1
3	10982	HOSE, 3/8" COMP. X 1/2" NPSM - 12'L	2
4	2-203	MOUNTING NUT KIT, WIDESPREAD LAV	4
5	3-133/00	LEVER HANDLE, HEX MODERN, 501 SERIES	2
5.1	10921/00	ESCUTCHEON, TRANSITIONAL	1
5.2	10922/00	HUB, FOR HEX TRANSITIONAL	1
5.3	11036/00	HANDLE LEVER, CONTEMPORARY 16PT	1
5.4	92163	SET SCREW, CUP PT 8-32 X 1/8"L	2
6	3-134/00	SPOUT ONLY WIDESPREAD LAV, HEX MOD./TRAD.	1
6.1	10919	SPOUT LOW LAV, HEX MODERN	1
6.2	30030	RUBBER SEAL WASHER AERATOR, NEOPERL PRT # BW.7110.1	1
6.3	30032/00	AERATOR HOUSING 15/16" MALE HOUSING	1
6.4	11426	AERATOR DROP-IN INSERT 1.2 GPM, NEOPERL # 40.2060.00000	1
6.5	10746	NUT, 3/8"-18 NPSL	1
6.6	92174	WASHER MOUNT WIDESPREAD (3/8")	1
6.7	1-112	TEE VALVE, 3/8" NPSM X 3/8" COMPRESSION	1
6.8	10745	THREAD ALL, 3/8"-18 NPSL - 3/8"NPT	1
6.9	90135	O-RING, 1-15/16"ID X 3/32"THK, AS-568-135	1
6.10	10920/00	POP-UP KNOB, HEX TRADITIONAL	1
6.11	92152	SET SCREW, CUP PT. 10-24 UNC X 5/8"L	1
7	3-545/00	BRASS PUSH TYPE DRAIN, W/ OVERFLOW & SMALL PLUG	1
8	92021	HEX KEY 5/64, FOR 8-32 SET SCREW	1

D3	C	UPDATE HEX KEY	5/28/2021	AMM
ZONE	REV.	DESCRIPTION	DATE	APPROVED
REVISIONS				

1261 LOGAN AVENUE
COSTA MESA, CALIFORNIA 92626
PHONE: 714.361.4800
FAX: 714.617.3120

PHYLIRICH[®]
Defining Luxury Since 1959

PROPRIETARY AND CONFIDENTIAL
THE INFORMATION CONTAINED IN THIS DRAWING IS THE SOLE PROPERTY OF PHYLIRICH. ANY REPRODUCTION IN PART OR AS A WHOLE WITHOUT THE WRITTEN PERMISSION OF PHYLIRICH IS PROHIBITED.
DO NOT SCALE DRAWING

WIDESPREAD LAV, LOW SPOUT W/ LEVER,
HEX MODERN

SIZE A	ASM/PRT NO. 501-02/00	REV C
SCALE: 1:5.25	WEIGHT: lbs.	SHEET 1 OF 2

5

4

3

2

1

E

E

D

D

C

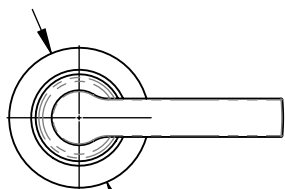
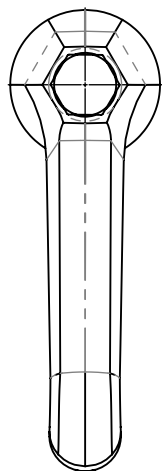
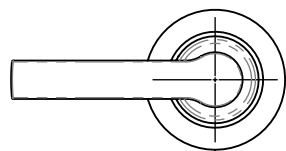
C

B

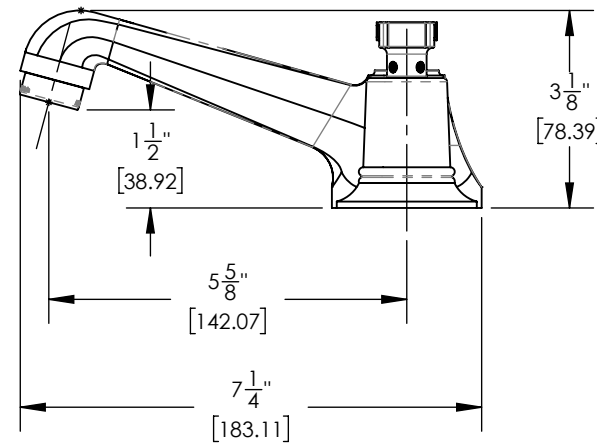
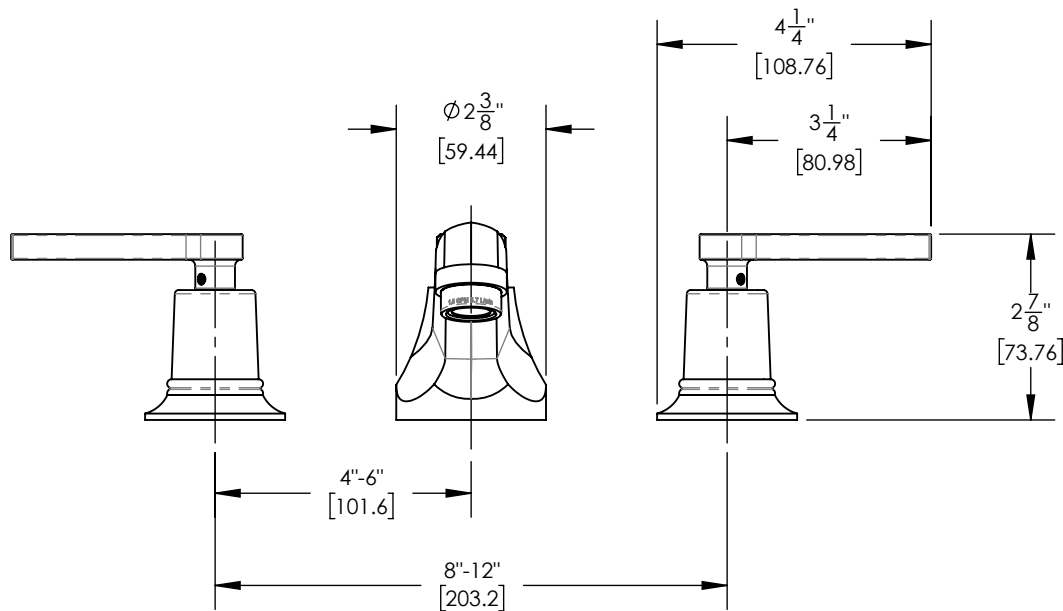
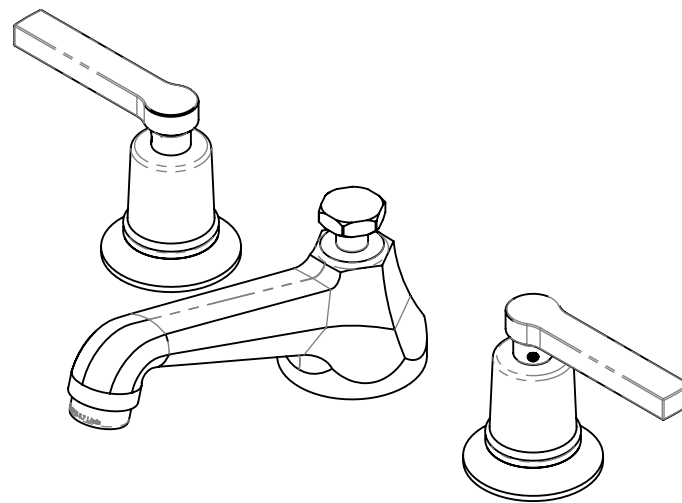
B

A

A



$\varnothing 2\frac{1}{4}"$
[55.58]



1261 LOGAN AVENUE
COSTA MESA, CALIFORNIA 92626
PHONE: 714.361.4800
FAX: 714.617.3120

PHYLIRICH[®]
Defining Luxury Since 1959

PROPRIETARY AND CONFIDENTIAL
THE INFORMATION CONTAINED IN THIS DRAWING IS THE SOLE PROPERTY OF PHYLIRICH. ANY REPRODUCTION IN PART OR AS A WHOLE WITHOUT THE WRITTEN PERMISSION OF PHYLIRICH IS PROHIBITED.

DO NOT SCALE DRAWING

WIDESPREAD LAV, LOW SPOUT W/ LEVER, HEX MODERN

SIZE	ASM/PRT NO.	REV
A	501-02/00	C

SCALE: 1:3 WEIGHT: lbs. SHEET 2 OF 2

5

4

3

2

1