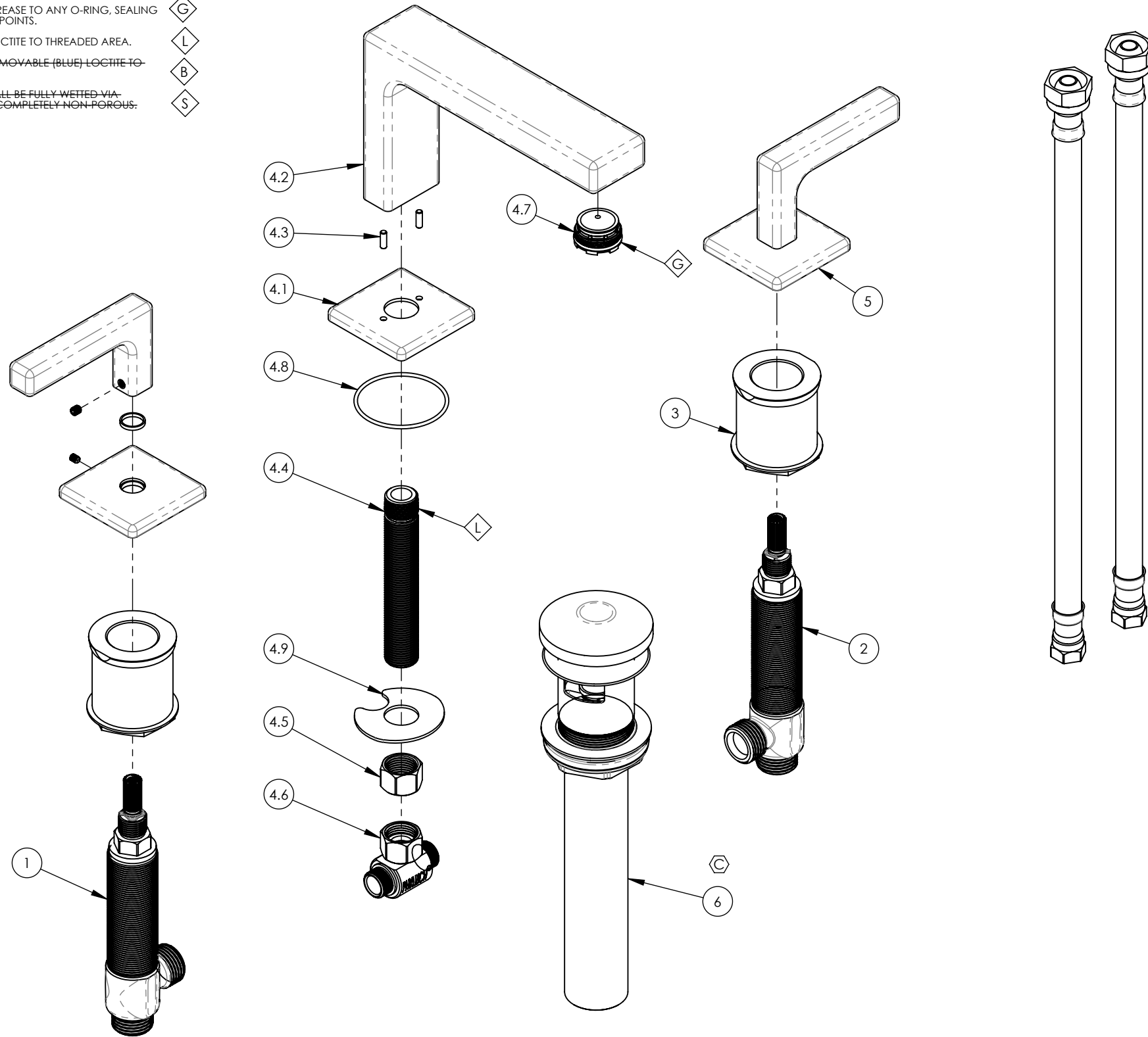


- NOTE(S):
- PART NUMBER, "/00" DENOTES PART SHALL HAVE FINISH.
 - APPLY NSF COMPLIANT GREASE TO ANY O-RING, SEALING JOINTS, AND/OR PIVOTAL POINTS.
 - APPLY NSF COMPLIANT LOCTITE TO THREADED AREA.
 - APPLY NSF COMPLIANT REMOVABLE (BLUE) LOCTITE TO THREADED AREA.
 - SILVER SOLDER JOINTS SHALL BE FULLY WETTED VIA CAPILLARY ACTION AND COMPLETELY NON-POROUS.



ITEM NO.	PART NUMBER	DESCRIPTION	QTY.
1	1-149	WIDESPREAD VALVE LAV 16PT, HOT, ONLY	1
2	1-150	WIDESPREAD VALVE LAV 16PT, COLD, ONLY	1
3	2-092	RECESSED MOUNTING KIT FOR WIDESPREAD	2
4	3-097/00	ASSY, SPOUT WIDESPREAD LAV SOFT, LOW, MIX	1
4.1	10933/00	ESCUTCHEON, SPOUT LAV MIX SERIES	1
4.2	10944/00	SPOUT, WIDESPREAD LAV LOW MIX	1
4.3	92158	DOWEL PIN, 1/8" X 3/8"L	2
4.4	10745	THREAD ALL, 3/8"-18 NPSL - 3/8"NPT	1
4.5	10746	NUT, 3/8"-18 NPSL	1
4.6	1-112	TEE VALVE, 3/8" NPSM X 3/8" COMPRESSION	1
4.7	11427	AERATOR, CACHE REG, PINK 1.2 GPM, M24X1.0, NEOPERL # 40.2360.010	1
4.8	90031	O-RING, 1-3/4"ID X 1/16"THK, AS-568-031	1
4.9	92174	WASHER MOUNT WIDESPREAD (3/8")	1
5	3-100/00	ASSY, HANDLE LEVER MIX SERIES	2
6	3-545/00	BRASS PUSH TYPE DRAIN, W/ OVERFLOW & SMALL PLUG	1
7	10982	HOSE, 3/8" COMP. X 1/2" NPSM - 12"L	2

B5	C	UPDATE POP UP DRAIN	6/15/2021	AMM
ZONE	REV.	DESCRIPTION	DATE	APPROVED
REVISIONS				

1261 LOGAN AVENUE
COSTA MESA, CALIFORNIA 92626
PHONE: 714.361.4800
FAX: 714.617.3120

PHYLIRICH[®]
Defining Luxury Since 1959

PROPRIETARY AND CONFIDENTIAL
THE INFORMATION CONTAINED IN THIS DRAWING IS THE SOLE PROPERTY OF PHYLIRICH. ANY REPRODUCTION IN PART OR AS A WHOLE WITHOUT THE WRITTEN PERMISSION OF PHYLIRICH IS PROHIBITED.
DO NOT SCALE DRAWING

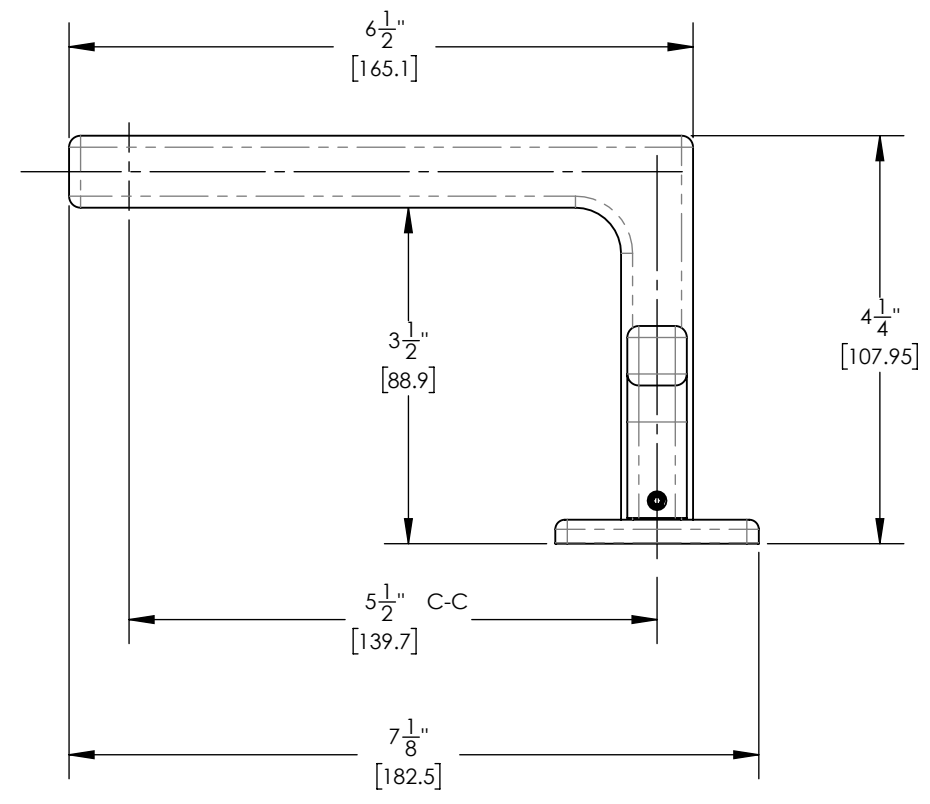
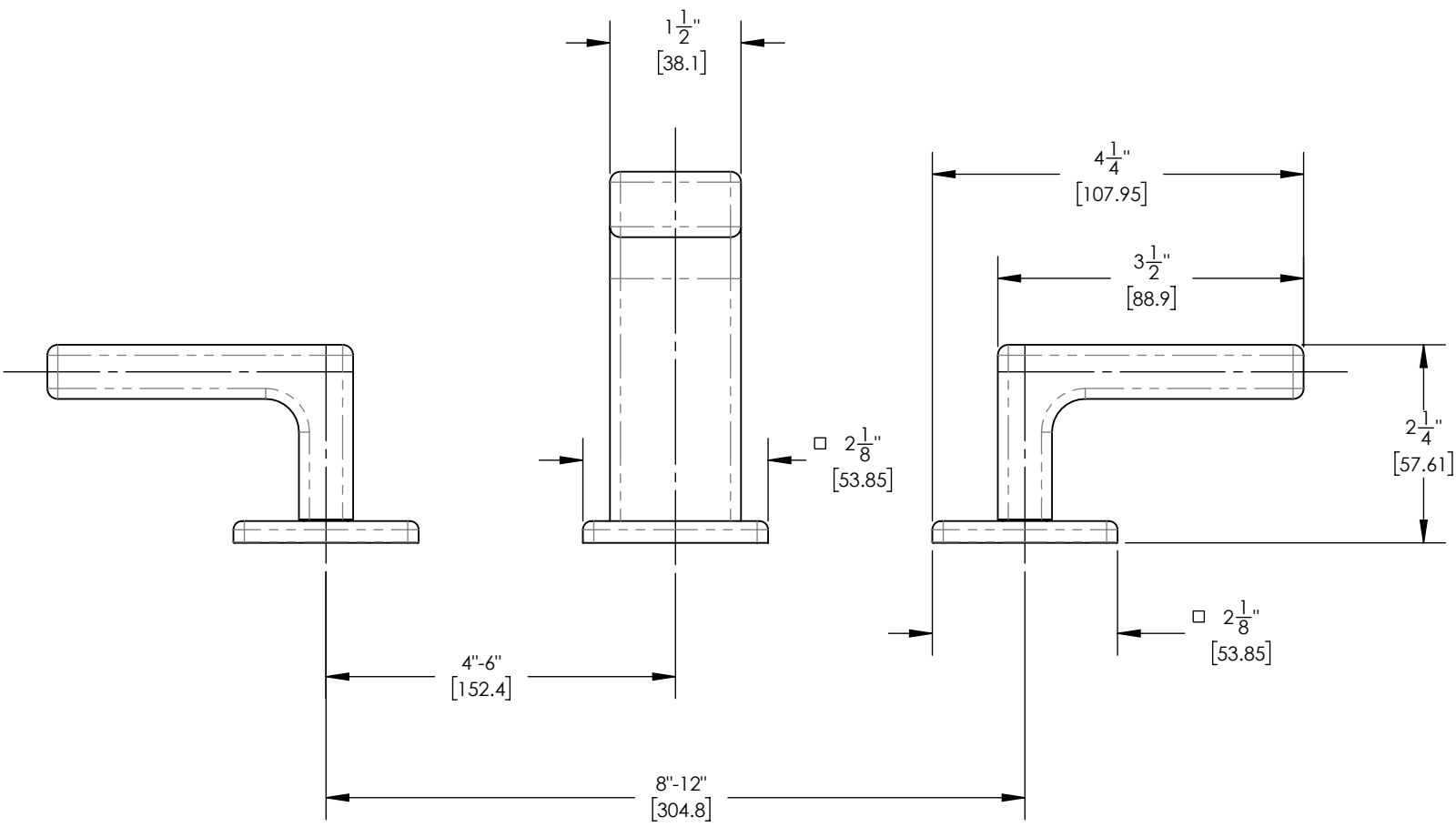
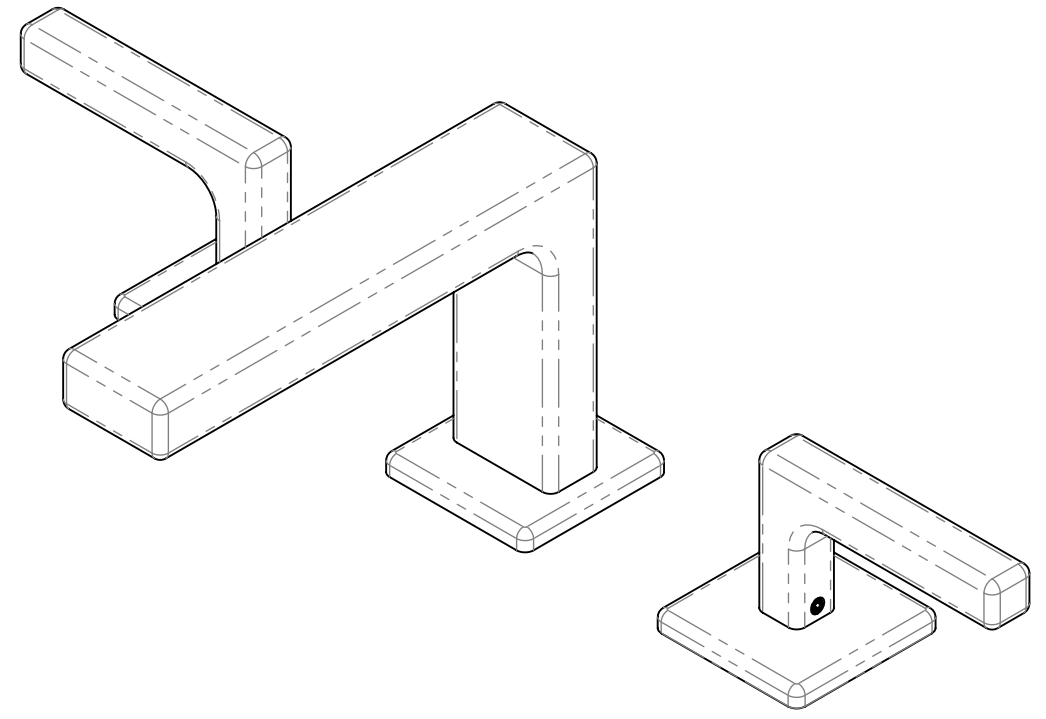
WIDESPREAD LAV, LOW SPOUT W/ LEVER, MIX

SIZE	ASM/PRT NO.	REV
B	290L-02/00	C
SCALE: 1:2.5	WEIGHT: lbs.	SHEET 1 OF 2

8 7 6 5 4 3 2 1

E
D
C
B
A

E
D
C
B
A



1261 LOGAN AVENUE
COSTA MESA, CALIFORNIA 92626
PHONE: 714.361.4800
FAX: 714.617.3120

PHYLIRICH[®]
Defining Luxury Since 1959

PROPRIETARY AND CONFIDENTIAL
THE INFORMATION CONTAINED IN THIS DRAWING
IS THE SOLE PROPERTY OF PHYLIRICH. ANY
REPRODUCTION IN PART OR AS A WHOLE
WITHOUT THE WRITTEN PERMISSION OF PHYLIRICH
IS PROHIBITED.
DO NOT SCALE DRAWING

**WIDESPREAD LAV, LOW SPOUT W/ LEVER,
MIX**

SIZE B	ASM/PRT NO. 290L-02/00	REV C
SCALE: 1:2	WEIGHT: lbs.	SHEET 2 OF 2

8 7 6 5 4 3 2 1