

INSTALLATION INSTRUCTIONS FOR

PHYLIRICH®

Defining Luxury Since 1959

“MIX” Wall Lavatory Set

PART# 290-11, 290-12, 290-13 and 290-14

“MIX” Wall Tub Set

PART# 290-56, 290-57, 290-58 and 290-59

“STRIA” Wall Lavatory Set

PART# 291-11, 291-12 and 291-14

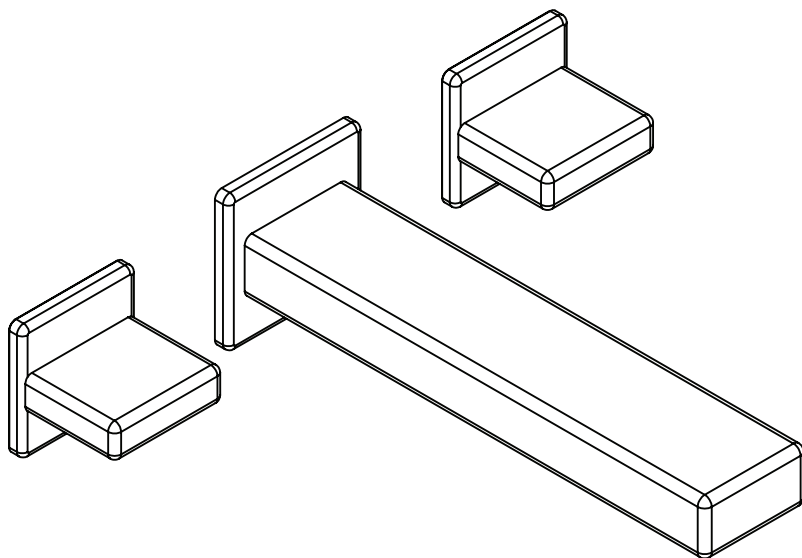
“STRIA” Wall Tub Set

PART# 291-11, 291-12 and 291-14

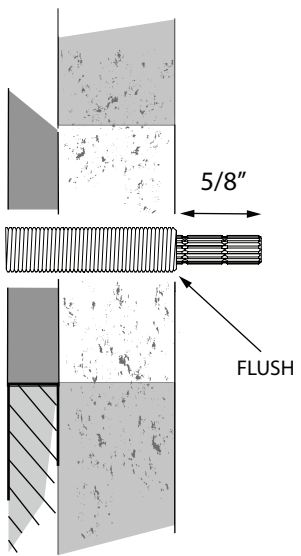
GENERAL CHARACTERISTICS

WE RECOMMEND THAT ALL PLUMBING PRODUCTS BE INSTALLED BY A LICENSED PROFESSIONAL

IMPORTANT: Thoroughly read instructions before installation.

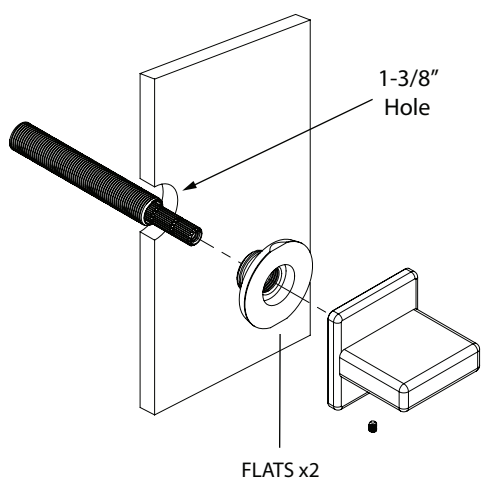


STEP 1

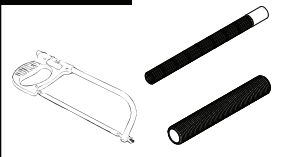


All thread should be Flush to the Finished Wall, while the STEM should not extend farther than 5/8" from the Finished Wall.

STEP 2



OPTIONAL



CUT IF NECESSARY

STEP 3

