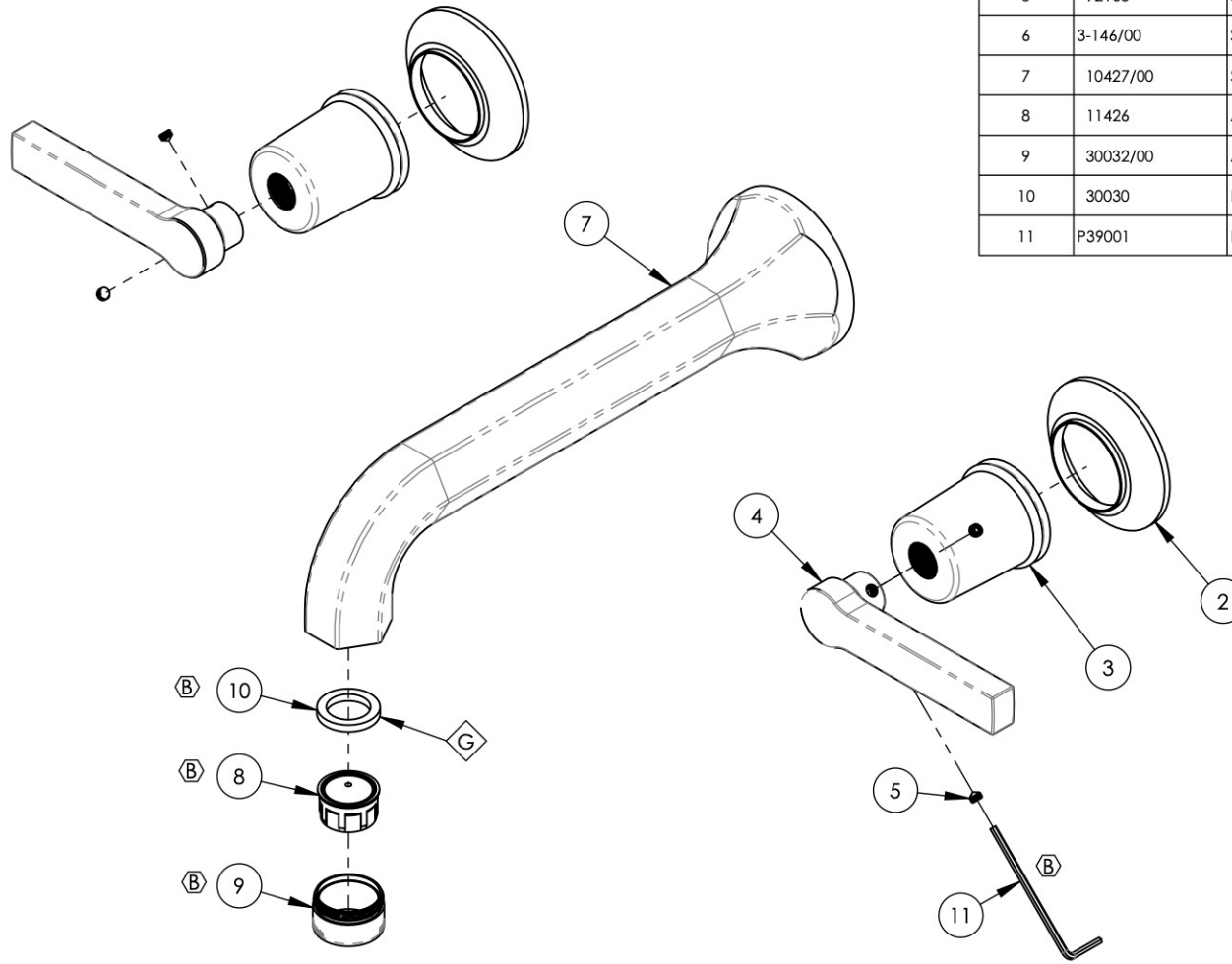


NOTE(S):
 1. PART NUMBER, "/00" DENOTES PART SHALL HAVE FINISH.
 2. APPLY NSF COMPLIANT GREASE TO ANY O-RING, SEALING JOINTS, AND/OR PIVOTAL POINTS.



ITEM NO.	PART NUMBER	DESCRIPTION	QTY.
4	3-133/00	LEVER HANDLE, HEX MODERN, 501 SERIES	2
2	10921/00	ESCUTCHEON, TRANSITIONAL	1
3	10922/00	HUB, FOR HEX TRANSITIONAL	1
4	11036/00	HANDLE LEVER, CONTEMPORARY 16PT	1
5	92163	SET SCREW, CONE PT 8-32 X 1/8"L	2
6	3-146/00	SPOUT, WALL LAV, 500/501 SERIES	1
7	10427/00	SPOUT WALL, CAST BRASS, HEX	1
8	11426	AERATOR DROP-IN INSERT 1.2 GPM, NEOPERL # 40.2060.00000	1
9	30032/00	AERATOR HOUSING 15/16" MALE HOUSING	1
10	30030	RUBBER SEAL WASHER AERATOR, NEOPERL PRT # BW.7110.1	1
11	P39001	HEX KEY 5/64, FOR 8-32 SET SCREW	1



ALL	B	UPDATE DWG NAME, ADD FINISH, ADD HEX KEY, UPDATE SPOUT SUB ASSY	12/2/2019	AMM
ZONE	REV.	DESCRIPTION	DATE	APPROVED
REVISIONS				

1261 LOGAN AVENUE
 COSTA MESA, CALIFORNIA 92626
 PHONE: 714.361.4800
 FAX: 714.617.3120

PHYLIRICH[®]
 Defining Luxury Since 1959

PROPRIETARY AND CONFIDENTIAL
 THE INFORMATION CONTAINED IN THIS DRAWING IS THE SOLE PROPERTY OF PHYLIRICH. ANY REPRODUCTION IN PART OR AS A WHOLE WITHOUT THE WRITTEN PERMISSION OF PHYLIRICH IS PROHIBITED.

NEXT ASSY	USED ON	FRACTIONS ±1/16"	DECIMALS X.X: ±.1 X.XX: ±.01 X.XXX: ±.005	ANGULAR ±2°
APPLICATION		NAME	DATE	
MATERIAL		DRAWN	LLO	11/4/2015
FINISH		CHECKED	GRE	

DO NOT SCALE DRAWING

WALL LAV SET, LEVER - OLD, HEX MODERN

SIZE	ASM/PRT NO.	REV
A	501-12/00	B
SCALE: 1:2.5	WEIGHT: lbs.	SHEET 1 OF 2