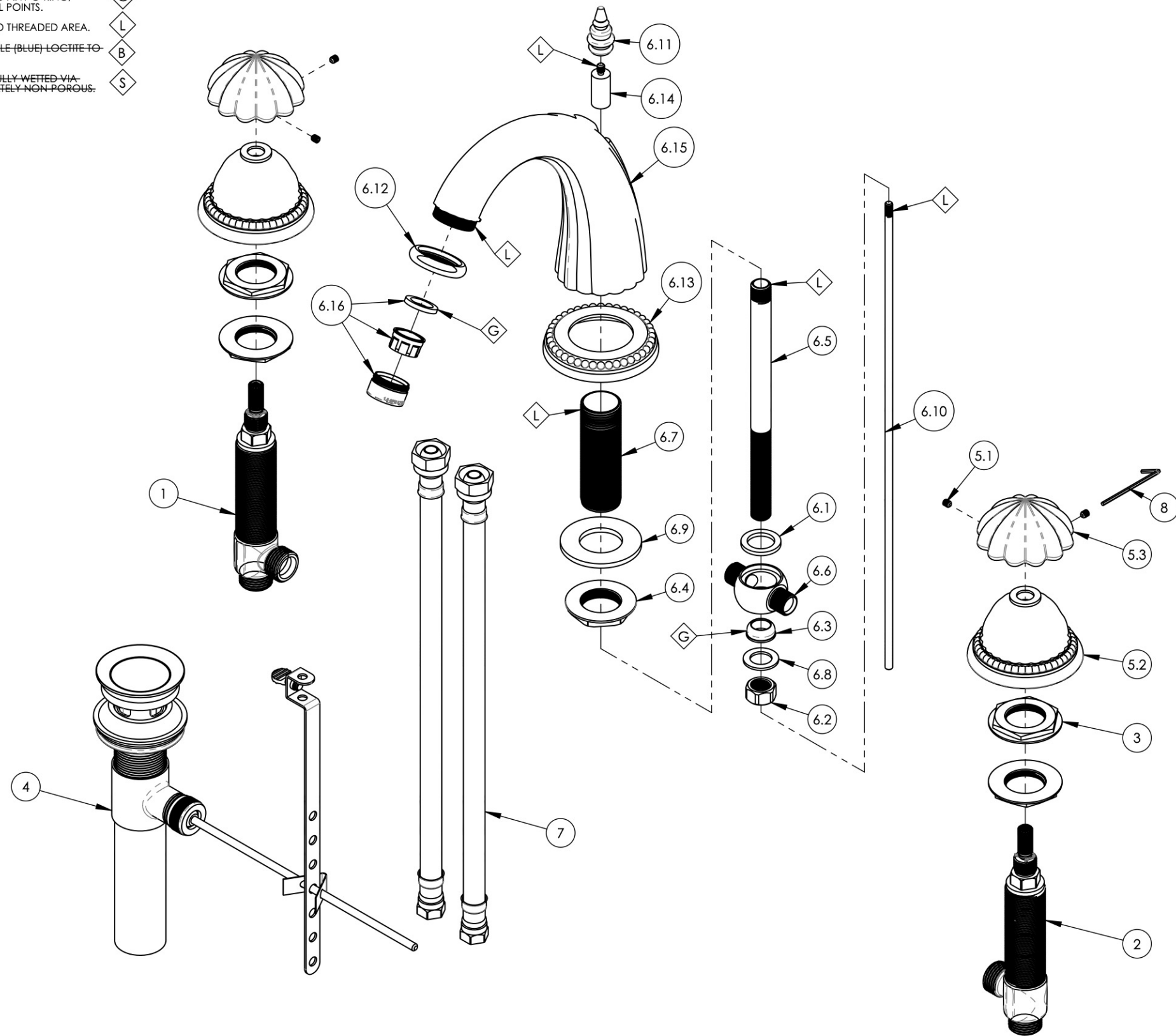


- NOTE(S):
- PART NUMBER, "/00" DENOTES PART SHALL HAVE FINISH.
 - APPLY NSF COMPLIANT GREASE TO ANY O-RING, SEALING JOINTS, AND/OR PIVOTAL POINTS.
 - APPLY NSF COMPLIANT LOCTITE TO THREADED AREA.
 - APPLY NSF COMPLIANT REMOVABLE (BLUE) LOCTITE TO THREADED AREA.
 - SILVER SOLDER JOINTS SHALL BE FULLY WETTED VIA CAPILLARY ACTION AND COMPLETELY NON-POROUS.



ITEM NO.	PART NUMBER	DESCRIPTION	QTY.
1	1-149	WIDESPREAD VALVE LAV 16PT, HOT, ONLY	1
2	1-150	WIDESPREAD VALVE LAV 16PT, COLD, ONLY	1
3	2-203	MOUNTING NUT KIT, WIDESPREAD LAV	4
4	3-046/00	POP-UP DRAIN ASSEMBLY (2-101, 2-102, & 2-246)	1
5	3-226/00	ROUND HANDLE, GEORGIAN & BARCELONA	2
5.1	92008	SET SCREW, CUP POINT 8-32, 3/16" L.	2
5.2	P02013/00	K141 COVER PLATE	1
5.3	P01015/00	K110 HANDLE	1
6	3-292/00	WIDESPREAD FAUCET, P03010 RIBBED HIGH LAV SPOUT, VALENCIA	1
6.1	427	FIBER WASHER, 0.983" x 0.680" x 0.100" THK	1
6.2	168B	NUT FOR 3-WAY TEE	1
6.3	954A	CONE WASHER	1
6.4	92037-BL	NUT, FLANGED 1"-20 THREAD	1
6.5	P33002	7" POP-UP GUIDE	1
6.6	2003NL	TEE VALVE FOR LAV WIDESPREAD	1
6.7	P33008	LAV SPOUT NIPPLE	1
6.8	28A	BRASS WASHER	1
6.9	P35317	S.S. WASHER O.D 2" I.D 1" 1/16	1
6.10	10719/00	POP-UP ROD, 10-24, 14" LONG	1
6.11	P04020/00	K141 POPUP KNOB	1
6.12	P03010_2/00	AERATOR SURROUND	1
6.13	P03013/00	ESCUTCHEON, BEADED LAV. K 360 SPOUT BASE (P03004)	1
6.14	P04021/00	POP-UP EXTENSION	1
6.15	P03010_1	HIGH SPOUT, RIBBED	1
6.16	3-059/00	AERATOR, 15/16" MALE HOUSING	1
7	10982	HOSE, 3/8" COMP. X 1/2" NPSM - 12"L	2
8	92021	HEX KEY 5/64, FOR 8-32 SET SCREW	1

ZONE	REV.	DESCRIPTION	DATE	APPROVED
REVISIONS				
<small>1261 LOGAN AVENUE COSTA MESA, CALIFORNIA 92626 PHONE: 714.361.4800 FAX: 714.617.3120</small>				
<small>THE INFORMATION CONTAINED IN THIS DRAWING IS THE SOLE PROPERTY OF PHYLIRICH. ANY REPRODUCTION IN PART OR AS A WHOLE WITHOUT THE WRITTEN PERMISSION OF PHYLIRICH IS PROHIBITED.</small>				

INTERPRET GEOMETRIC DIMENSIONING & TOLERANCING IN ACCORDANCE WITH ASME Y14.5-2009 & ASME Y14.41-2003 STANDARDS. UNLESS OTHERWISE SPECIFIED, DIMENSIONS ARE IN INCHES. TOLERANCES ARE:		
FRACTIONS ±1/16"	DECIMALS X.X: ±.1 X.XX: ±.01 X.XXX: ±.005	ANGULAR ±2°
NEXT ASSY	USED ON	APPLICATION
MATERIAL	NAME	DATE
FINISH	DRAWN	AMM 7/10/2020
DO NOT SCALE DRAWING	CHECKED	AMM 7/10/2020

WIDESPREAD FAUCET, ROUND HANDLES, GEORGIAN & BARCELONA		
SIZE	ASM/PRT NO.	REV
B	K361/00	-
SCALE: 1:3	WEIGHT: lbs.	SHEET 1 OF 2