



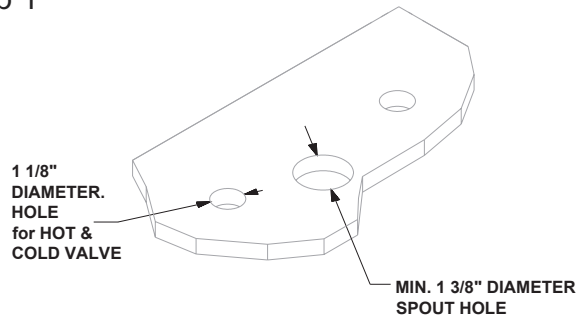
PHYL RICH[®]

Defining Luxury Since 1959

INSTALLATION INSTRUCTIONS FOR LAVATORY FAUCETS WITH A TEE ASSEMBLY

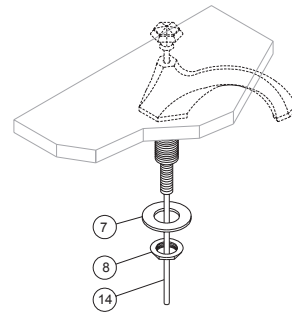
1261 Logan Ave, Costa Mesa, CA 92626
Telephone: 714-361-4830 Fax: 714-617-3120
www.phylrich.com

Step 1



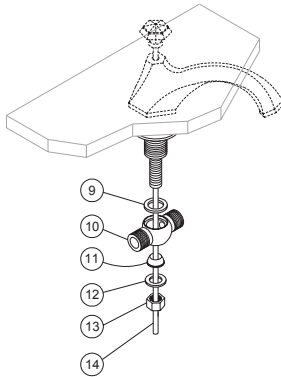
Should a counter top need to be drilled, please reference the diagram above.

Step 2



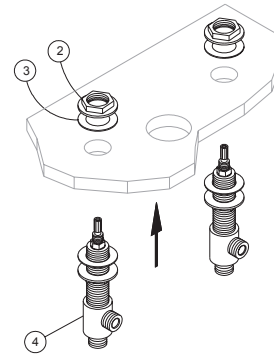
Insert spout base nipple into center hole in lavatory or counter top. Install stainless washer (7) and spout (8) on spout nipple and tighten. Place pop-up knob rod (14) through spout.

Step 3



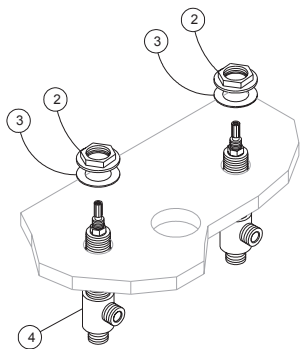
Install spout tee assembly (9, 10, 11, 12 and 13) as shown in diagram.

Step 4



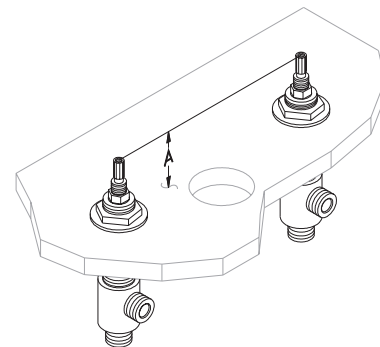
Remove top fastening nut and washer (2 & 3) from the lavatory valve. (NOTE A: All lever handle sets are supplied with one right-hand valve and one left-hand valve. Install valve with the blue dot on the cold side [Round handle sets are supplied with two hot valves that turn in the same direction]). Insert valve from below through hole in lavatory or counter-top.

Step 5



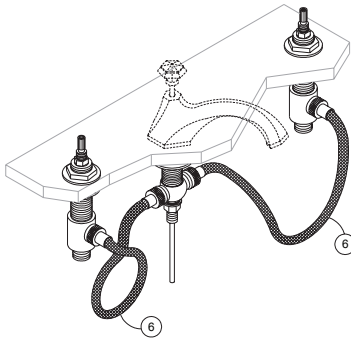
Reattach top fastening nut and washers (2 and 3).

Step 6



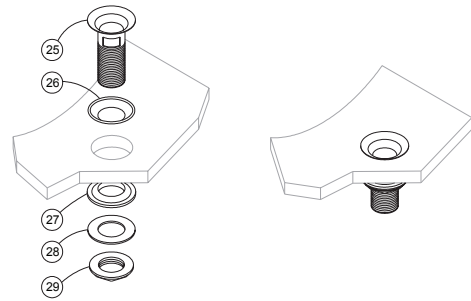
Set valve to proper rough-in height "A", by adjusting bottom-fastening nut. Secure valve by tightening top fastening nut *YOU MAY NEED TO CUT THE ALL BROACHED STEM TO REDUCE THE VISIBILITY BETWEEN HANDLE AND ESCUTCHEON. Repeat procedure for the second lavatory valve. Please see page P99030A for the "A" measurement for your trim.

Step 7



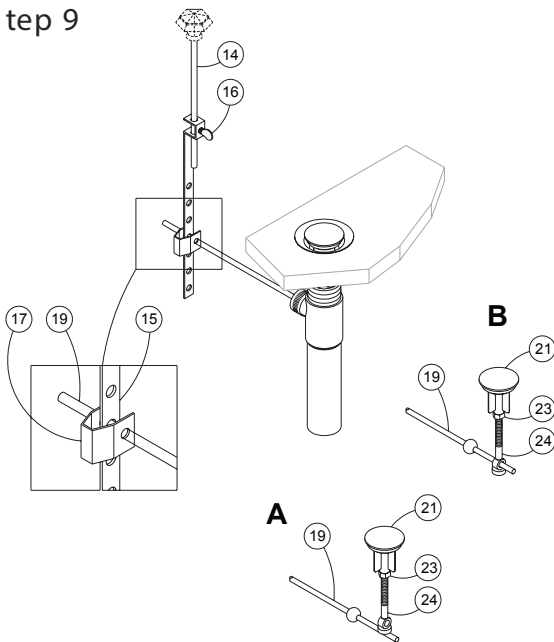
Connect stainless steel flex lines (6) from valve outlets to spout tee (10). Flex lines should be looped as shown in diagram. FLEX LINES MUST NOT BE KINKED. Adjust valves and or spout tee to eliminate kinking in the flex lines. Install escutcheons onto the valves and hand tighten. Do not over-tighten. Install handles onto valve stems

Step 8



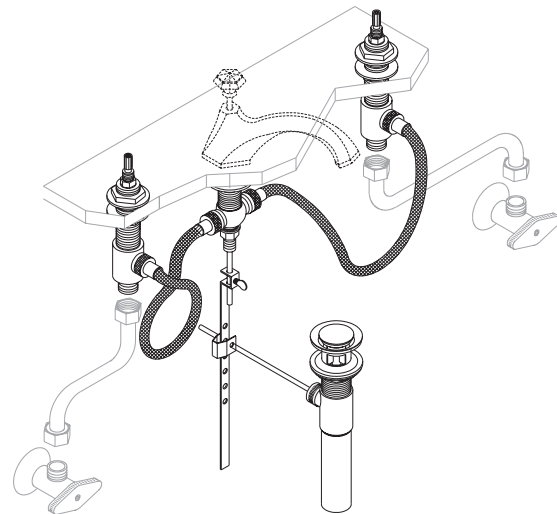
Insert drain rim (25) into the basin placing the Teflon washer (26) under the rim. From below slip on washer (27) onto the bottom thread of the drain rim and secure to basin with drain nut and washer (28 and 29).

Step 9



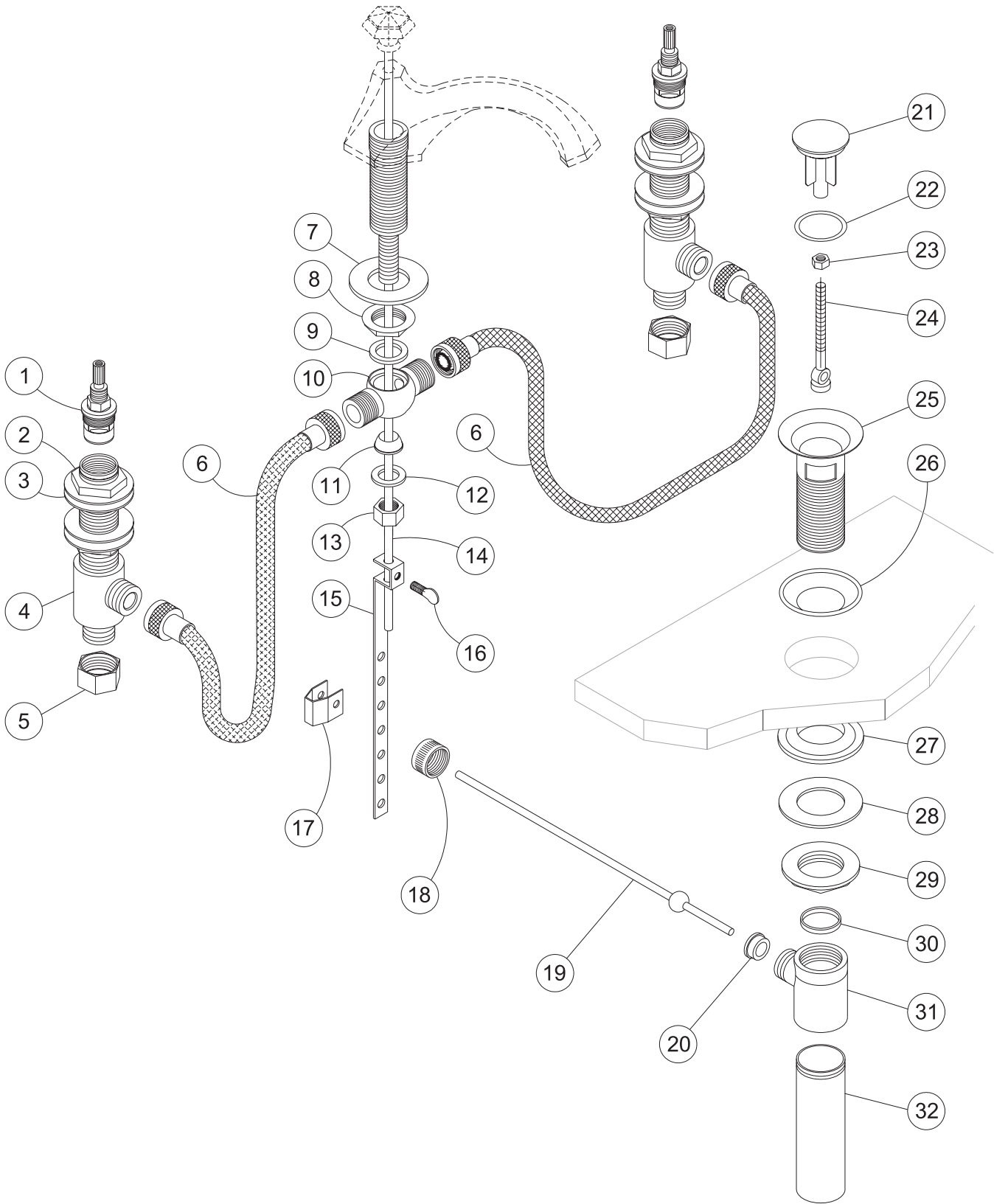
Insert drain plug (21) into drain assembly and insert ball rod (19) as diagramed. Attach pop-up rod extension (15) to horizontal ball rod (19) with "V" clip (17). Attach pop-up rod extension to pop-up rod. To secure drain plug install the ball rod (19) through the bottom hole (24) as shown in diagram "B". To install the drain plug so that it may be removed, place the drain plug (24) on top of the ball rod (19). Adjust the height of the drain plug (21) and pop-up rod extension so that the basin both seals and drains adequately. Tighten pop-up rod extension to secure assembly.

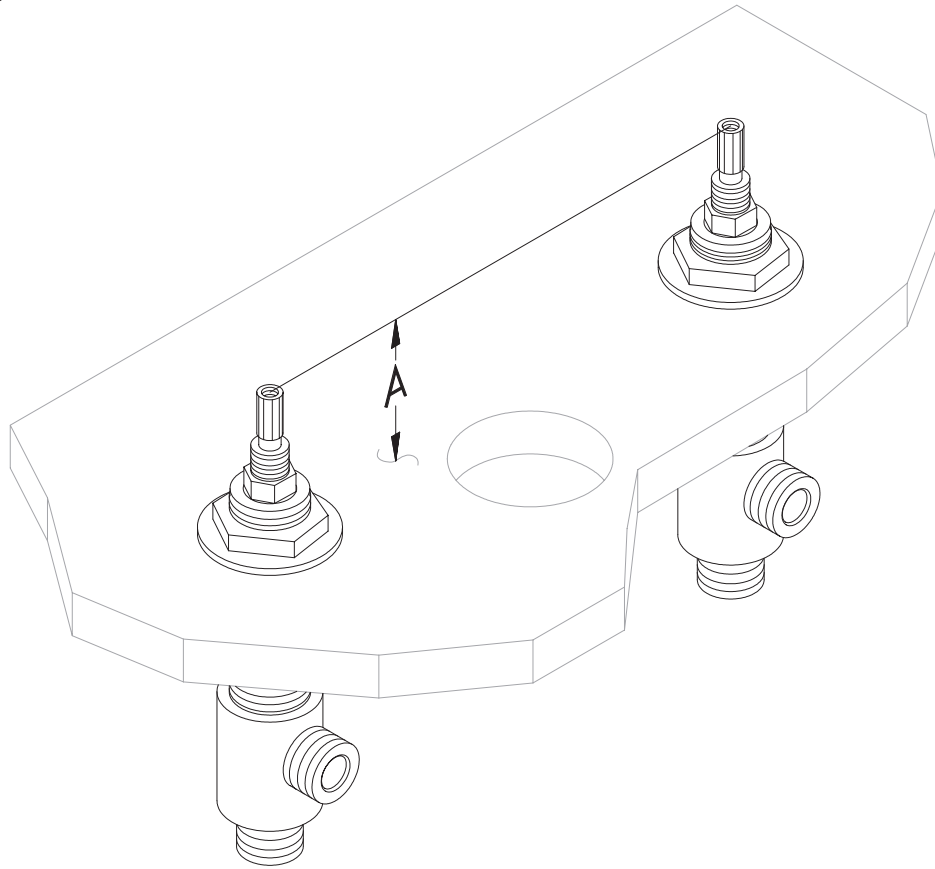
Step 10



THIS STEP MUST BE COMPLETED TO ADHERE TO THE LIMITED LIFETIME WARRANTY.

Flush hot and cold supply lines before connecting faucet to supply lines. Connect the supplies to the bottom of the lavatory valves using the brass coupling nuts (5) provided or with a flexible line. Connect your waste P-trap to the drain tail piece.





ROUGH IN SPECIFICATIONS FOR LAVATORY SETS WITH TEE ASSEMBLIES

<u>Phylrich Prod#</u>	<u>Rough In</u>	<u>Phylrich Prod#</u>	<u>Rough In</u>
K101.....	2 1/2"	K190.....	2 1/2"
K109.....	2 1/2"	K190A.....	2 1/2"
K110.....	2 1/2"	K191.....	2 1/2"
K120.....	2 1/2"	K191A.....	2 1/2"
K120A.....	2 1/2"	K211.....	2 7/8"
K121.....	2 1/2"	K230.....	2 5/8"
K121A.....	2 1/2"	K231.....	2 5/8"
K123.....	2 5/8"	K234.....	2 5/8"
K137.....	2 1/2"	K240.....	3 1/8"
K137SF.....	2 1/2"	K241.....	3 1/8"
K141.....	2 3/8"	K242.....	3 1/8"
K144.....	2 1/2"	K243.....	3 1/8"
K158A.....	2 1/4"	K244.....	3 1/8"
K158B.....	2 1/4"	K251.....	2 3/4"
K158C.....	2 1/4"	K261.....	2 3/4"
K158D.....	2 1/4"	K270.....	3 1/8"
K158F.....	2 1/4"	K271.....	3 1/8"
K162.....	2 1/4"	K272.....	3 1/8"
K163.....	2 1/4"	K273.....	3 1/8"
K170.....	2 1/4"	K274.....	3 1/8"
K171.....	2 1/4"	K291.....	2 7/8"
K180.....	2 7/8"	K291A.....	2 7/8"
K181.....	2 7/8"	K337.....	2 1/2"
K183.....	2 7/8"	K337SF.....	2 1/2"
K184.....	2 1/2"	K341.....	2 7/8"