

NOTE(S):
 1. PART NUMBER, "/00" DENOTES PART SHALL HAVE FINISH.

2. APPLY NSF COMPLIANT GREASE TO ANY O-RING, SEALING JOINTS, AND/OR PIVOTAL POINTS.

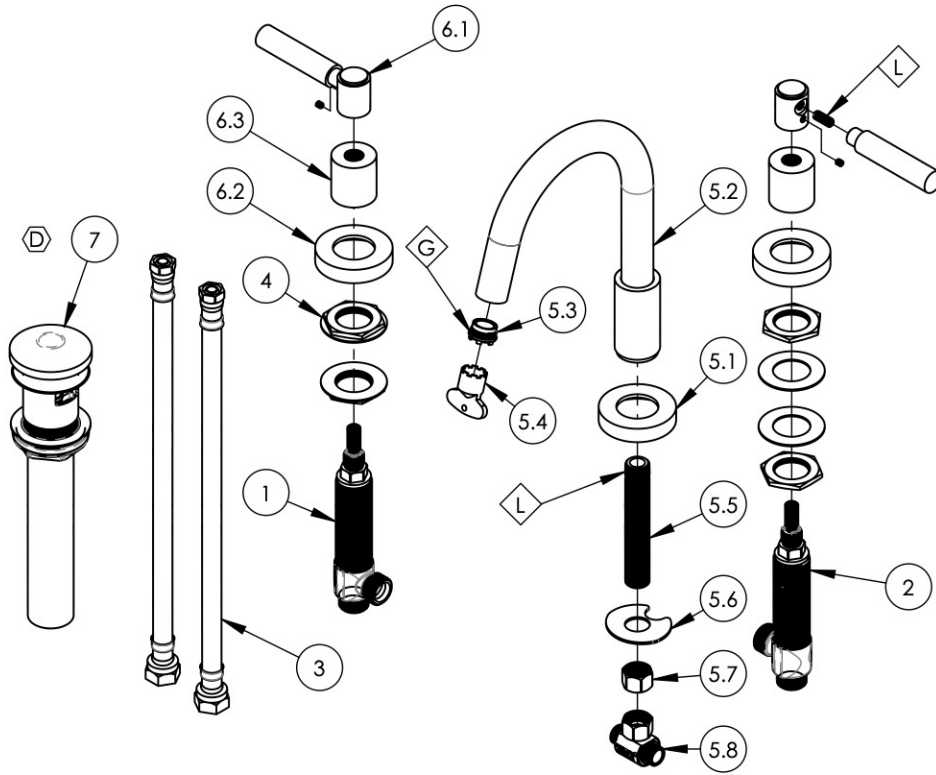
3. APPLY NSF COMPLIANT LOCTITE TO THREADED AREA.

4. APPLY NSF COMPLIANT REMOVABLE (BLUE) LOCTITE TO THREADED AREA.

5. SILVER SOLDER JOINTS SHALL BE FULLY WETTED VIA CAPILLARY ACTION AND COMPLETELY NON-POROUS.



ITEM NO.	PART NUMBER	DESCRIPTION	QTY.
1	1-149	WIDESPREAD VALVE LAV 16PT, HOT, ONLY	1
2	1-150	WIDESPREAD VALVE LAV 16PT, COLD, ONLY	1
3	10982	HOSE, 3/8" COMP. X 1/2" NPSM - 12'L	2
4	2-203	MOUNTING NUT KIT, WIDESPREAD LAV	4
5	3-180/00	WIDESPREAD FAUCET GOOSENECK LOW SPOUT, BASIC	1
5.1	P02035_2/00	ESCUTCHEON, CONTEMPORARY	1
5.2	2-165/00	SUB ASSY. SPOUT LOW ARC. WIDESPREAD BASIC	1
5.3	11428	AERATOR, CACHE TJ, 1.2GPM PCA PINK, 43.2260.450	1
5.4	P05022	AERATOR, BASIC KEY, PLASTIC GREEN	1
5.5	10745	THREAD ALL, 3/8"-18 NPSL - 3/8"NPT	1
5.6	92174	WASHER MOUNT WIDESPREAD (3/8")	1
5.7	10746	NUT, 3/8"-18 NPSL	1
5.8	1-112	TEE VALVE, 3/8" NPSM X 3/8" COMPRESSION	1
6	3-441/00	ASSY, LEVER HANDLE, BASIC	2
6.1	3-408/00	ASSY. LEVER HANDLE, BASIC SERIES.	1
6.2	P02035_2/00	ESCUTCHEON, CONTEMPORARY	1
6.3	P02035_1/00	HUB ESCUTCHEON, CONTEMPORARY TOP	1
7	3-545/00	BRASS PUSH TYPE DRAIN, W/ OVERFLOW & SMALL PLUG	1



ZONE	REV.	DESCRIPTION	DATE	APPROVED
C5	D	UPDATE DRAIN	11/3/2021	AMM
REVISIONS				

1261 LOGAN AVENUE
 COSTA MESA, CALIFORNIA 92626
 PHONE: 714.361.4800
 FAX: 714.617.3120

PHYLIRICH[®]
 Defining Luxury Since 1959

PROPRIETARY AND CONFIDENTIAL
 THE INFORMATION CONTAINED IN THIS DRAWING IS THE SOLE PROPERTY OF PHYLIRICH. ANY REPRODUCTION IN PART OR AS A WHOLE WITHOUT THE WRITTEN PERMISSION OF PHYLIRICH IS PROHIBITED.
DO NOT SCALE DRAWING

WIDESPREAD LAV SET, MID SPOUT, LEVER TUBULAR, BASIC, (130-02)

SIZE A	ASM/PRT NO. D131/00	REV D
SCALE: 1:5.25	WEIGHT: lbs.	SHEET 1 OF 2